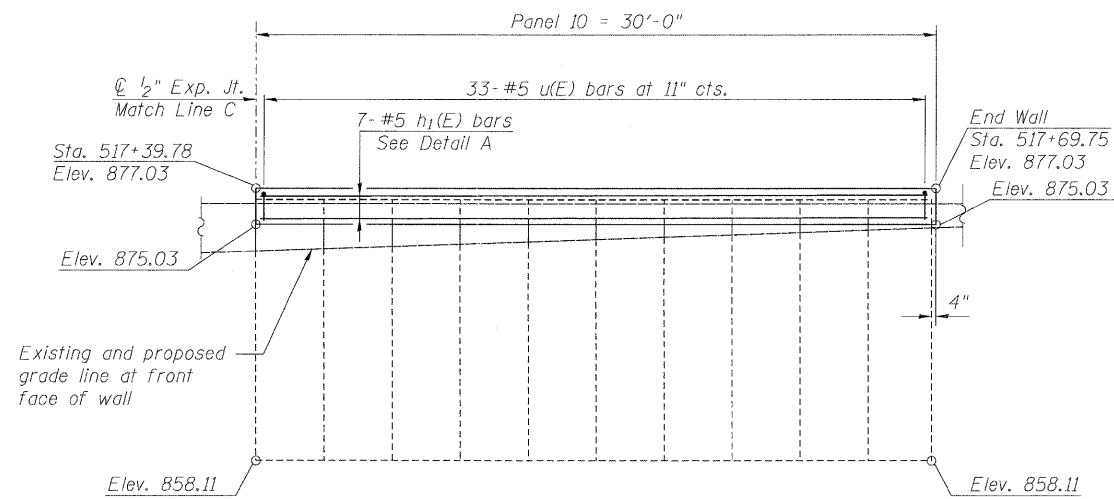


ELEVATION
(Looking at Front Face of Wall)



ELEVATION
(Looking at Front Face of Wall)

Notes:
See sheet S4 of S7 for Bill of Material, Section Thru Wall, Wall Joint Details and Detail A.
Horizontal dimensions measured along face of wall.
Expansion joints shall be located at the nearest sheet piling interlock to the indicated spacing shown.



USER NAME =	DESIGNED - ESH	REVISED -
CHECKED - ADB	REVISOR -	
PLOT SCALE =	DRAWN - RH	REVISED -
PLOT DATE =	CHECKED - ADB	REVISED -

**STATE OF ILLINOIS
DEPARTMENT OF TRANSPORTATION**

**WALL DETAILS-2
STRUCTURE NO. 016-W998**

SHEET NO. S3 OF S7 SHEETS

F.A.P. RTE.	SECTION	COUNTY	TOTAL SHEETS	SHEET NO.
339	116 Y-1-R-1	COOK	122	84
CONTRACT NO. 60135				
ILLINOIS FED. AID PROJECT				