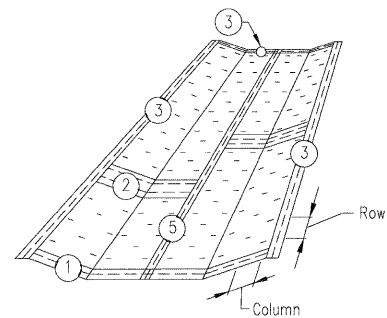
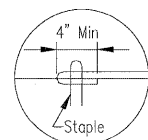


PLAN	SURVEYED	DATE
	PLOTTED	
	ALIGNED	
	CHECKED	
	FILED	
	NO.	
	BY	

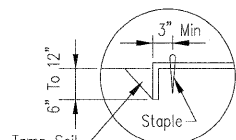


- NOTES:**
- On erosion control paper, check slots, in ditch channel shall be spaced so that one occurs within each 50' on slopes of more than 4% and less than 6%. On slopes of 6% or more, they shall be spaced so that one occurs within each 25'.
 - Staples are to be placed alternately, in columns approximately 2' apart and in rows approximately 3' apart. Approximately 175 staples are required per 4' x 225' roll of material and 125 staples are required per 4' x 150' roll of material.
 - Erosion control material shall be placed loosely over ground surface. Do not stretch.
 - All terminal ends and transverse laps shall be stapled at approximately 12" intervals.

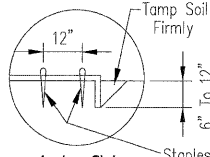


Terminal Fold
Jute Mesh Only

DETAIL 1

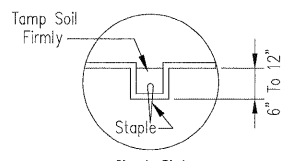


Terminal Fold
Excelsior Blanket
Erosion Control Paper



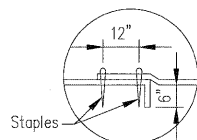
Anchor Slot
Jute Mesh
Excelsior Blanket
Erosion Control Paper

DETAIL 3



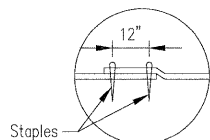
Check Slot
Erosion Control Paper

DETAIL 4

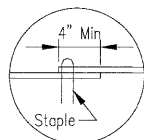


Junction Slot
Jute Mesh
Erosion Control Paper

DETAIL 2

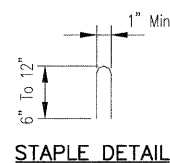


Junction Slot
Excelsior Blanket



Lap Joint
Jute Mesh
Excelsior Blanket Shall
Be Butted Together

DETAIL 5



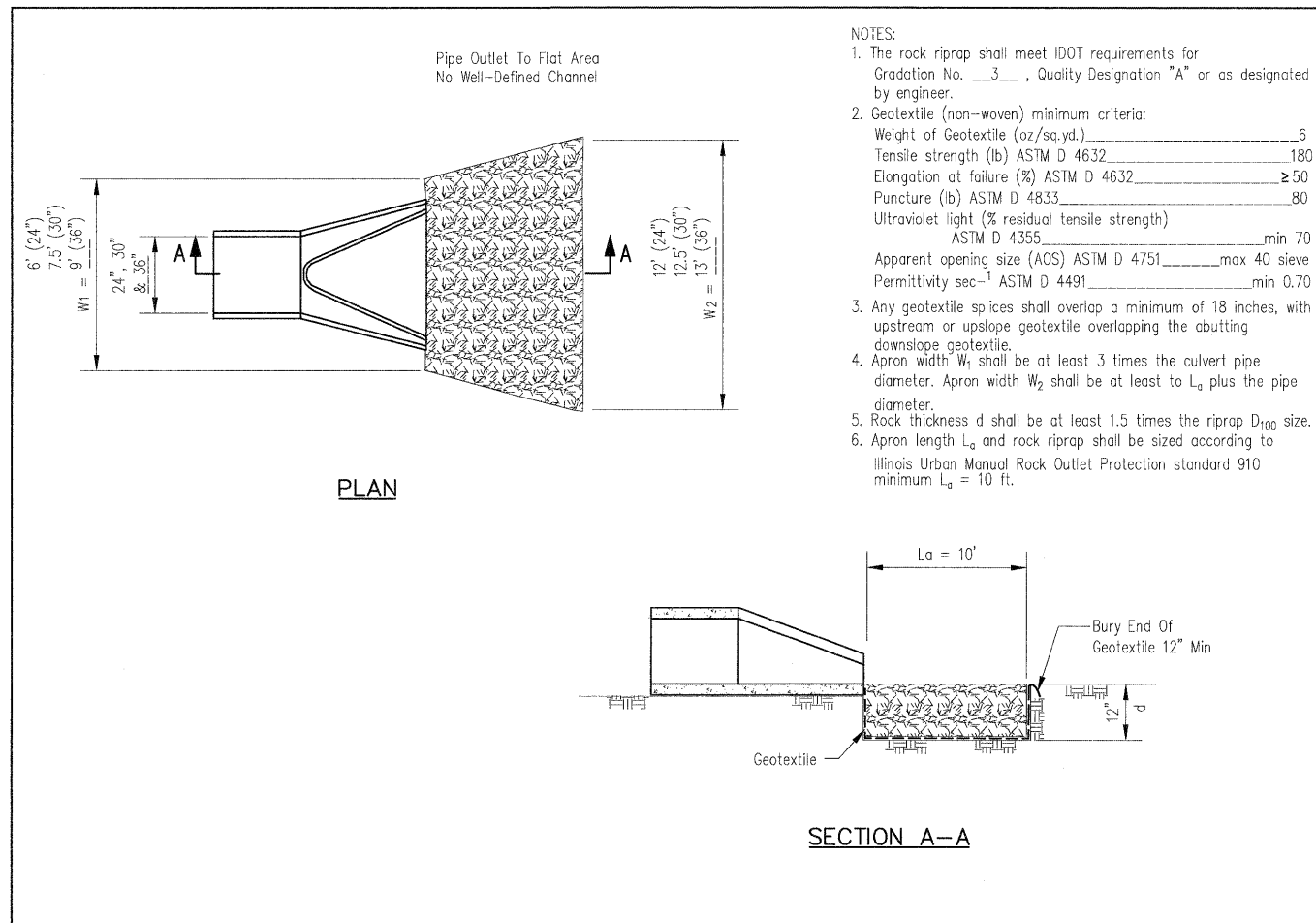
STAPLE DETAIL

Designed: M. GUNNINGS 7/02
 Drawn: M. GUNNINGS 7/02
 Checked: M. GUNNINGS 7/02
 Approved: M. GUNNINGS 7/02

EROSION BLANKET INSTALLATION DETAILS

NRCS
 National Resource Conservation Service
 United States Department of Agriculture

File No. IL-ENG-61
 Drawing No. _____
 Sheet 1 of 1



- NOTES:**
- The rock riprap shall meet IDOT requirements for Gradation No. 3, Quality Designation "A" or as designated by engineer.
 - Geotextile (non-woven) minimum criteria:
 Weight of Geotextile (oz/sq.yd.) _____ 6
 Tensile strength (lb) ASTM D 4632 _____ 180
 Elongation at failure (%) ASTM D 4632 _____ ≥ 50
 Puncture (lb) ASTM D 4833 _____ 80
 Ultraviolet light (% residual tensile strength) _____
 ASTM D 4355 _____ min 70
 Apparent opening size (AOS) ASTM D 4751 _____ max 40 sieve
 Permittivity sec⁻¹ ASTM D 4491 _____ min 0.70
 - Any geotextile splices shall overlap a minimum of 18 inches, with upstream or upslope geotextile overlapping the abutting downslope geotextile.
 - Apron width W₁ shall be at least 3 times the culvert pipe diameter. Apron width W₂ shall be at least L_a plus the pipe diameter.
 - Rock thickness d shall be at least 1.5 times the riprap D₁₀₀ size.
 - Apron length L_a and rock riprap shall be sized according to Illinois Urban Manual Rock Outlet Protection standard 910 minimum L_a = 10 ft.

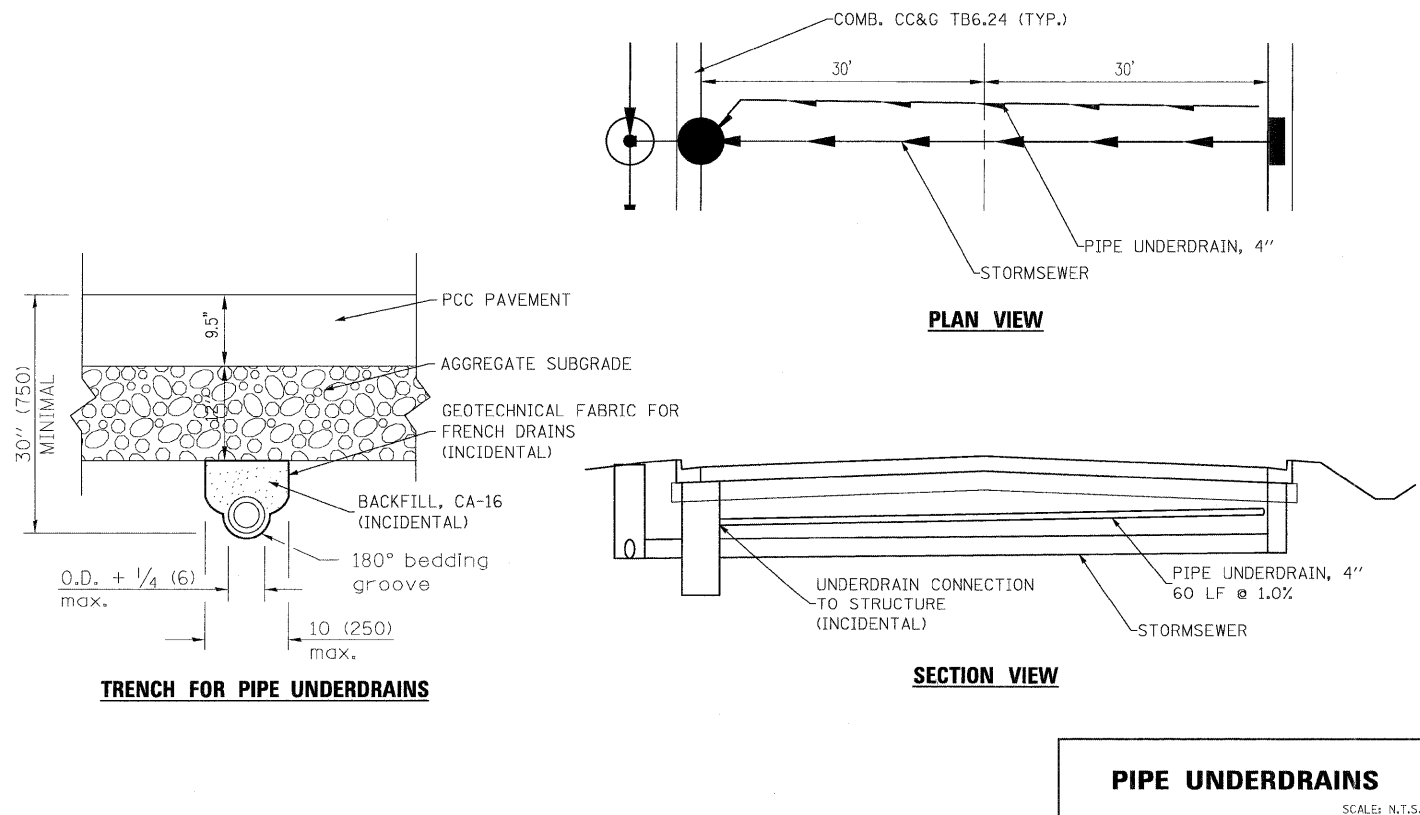
Designed: M. GUNNINGS 7/02
 Drawn: M. GUNNINGS 7/02
 Checked: M. GUNNINGS 7/02
 Approved: M. GUNNINGS 7/02

PIPE OUTLET TO FLAT AREA

NRCS
 National Resource Conservation Service
 United States Department of Agriculture

File No. IL-ENG-44
 Drawing No. _____
 Sheet 1 of 1

PLAN	SURVEYED	DATE
	PLOTTED	
	ALIGNED	
	CHECKED	
	FILED	
	NO.	
	BY	



PIPE UNDERDRAINS

SCALE: N.T.S.

FILE NAME = ...\\0160135-sht-details1.dgn



DESIGNED	NS	REVISED	-
DRAWN	RJD	REVISED	-
CHECKED	RJD	REVISED	-
DATE	JUNE 30, 2011	REVISED	-

STATE OF ILLINOIS
DEPARTMENT OF TRANSPORTATION

IL RTE 62 (ALGONQUIN RD.) FROM EASTING'S WAY TO PENNY RD.
MISCELLANEOUS DETAILS

SCALE: N.T.S. SHEET NO. 1 OF 1 SHEETS STA. TO STA.

F.A.P. RTE.	SECTION	COUNTY	TOTAL SHEETS	SHEET NO.
339	116 Y-1-R-1	COOK	122	98
				CONTRACT NO. 60I35
ILLINOIS FED. AID PROJECT				