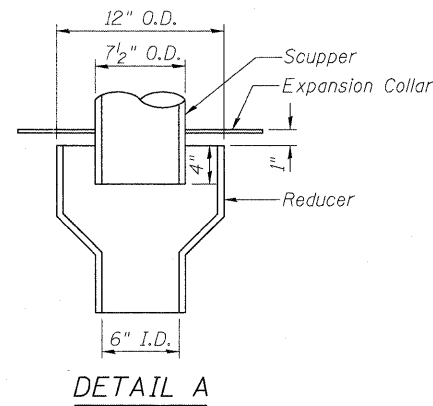
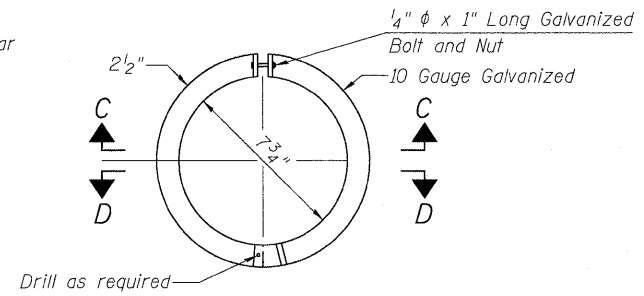


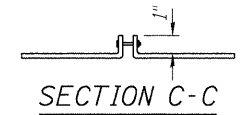
DRAINAGE SYSTEM PLAN



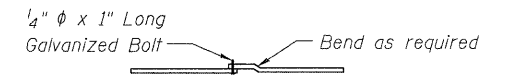
DETAIL A



EXPANSION COLLAR PLAN

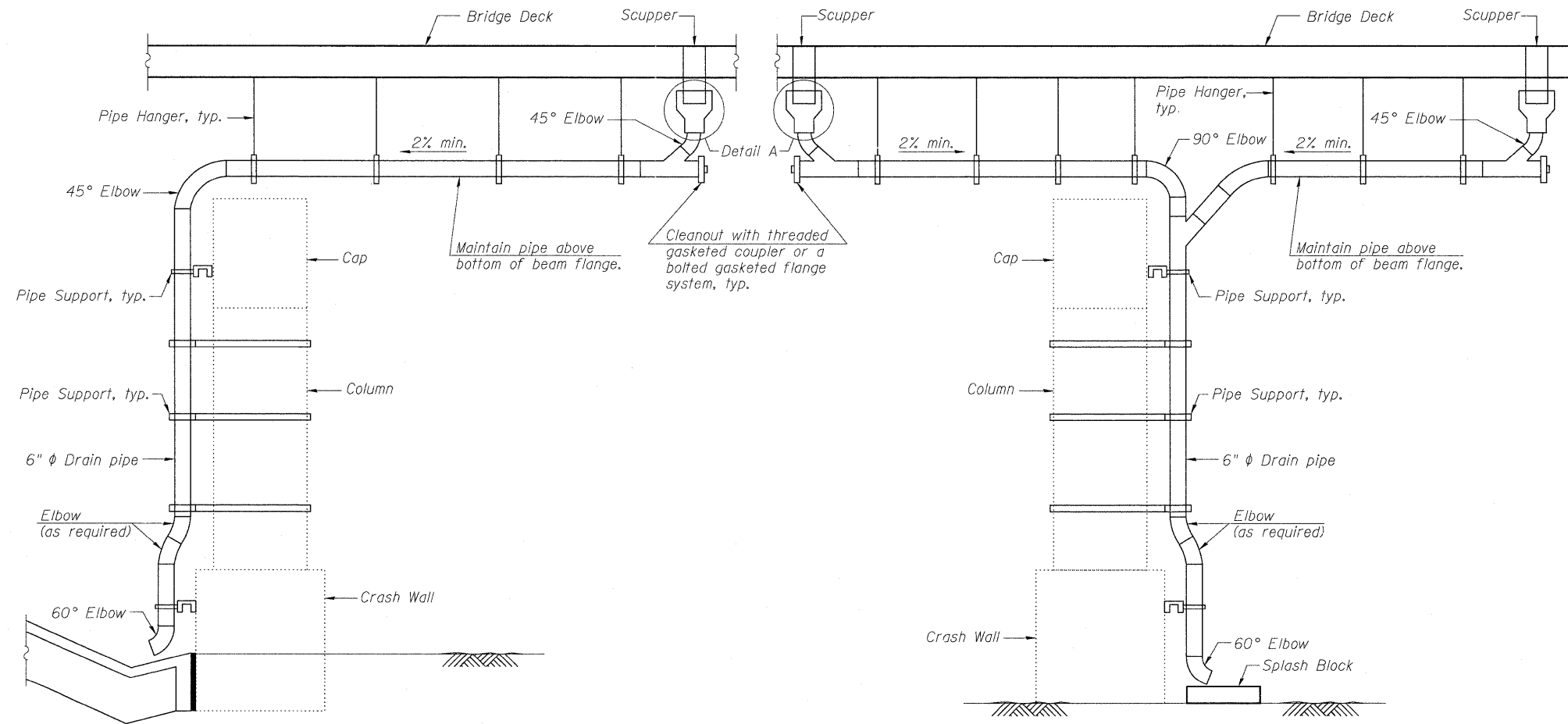


SECTION C-C



SECTION D-D

Notes:
See Special Provisions for Drainage System installation and material.
See Sheet 1 of 39 for locations of Scupprs.



DRAIN PIPE DETAILS AT PIER 1

(Drain pipes at Pier 3 similar)

DRAIN PIPE DETAILS AT PIER 2

(Looking North)

Note:
Collector drain pipes and fittings shall be 6" Schedule 80 PVC conforming to ASTM Standards D1785, D2464 or D2467.

(Sheet 3 of 3)



USER NAME =
FILE NAME =
PLOT SCALE =
PLOT DATE =

DESIGNED - MTH
CHECKED - ADB
DRAWN - AJF
CHECKED - MTH

REVISED -
REVISED -
REVISED -
REVISED -

**STATE OF ILLINOIS
DEPARTMENT OF TRANSPORTATION**

**SUPERSTRUCTURE DETAILS
STRUCTURE NO. 045-0037**

SHEET NO. 17 OF 39 SHEETS

F.A.P. RTE.	SECTION	COUNTY	TOTAL SHEETS	SHEET NO.
573	61HB-1-R	KANE	110	67
CONTRACT NO. 60K76			ILLINOIS FED. AID PROJECT	