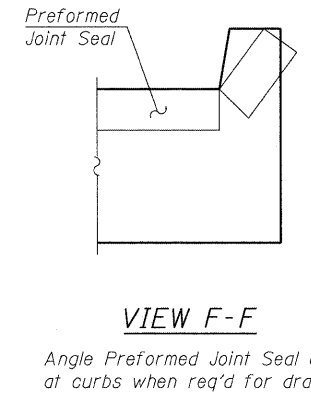
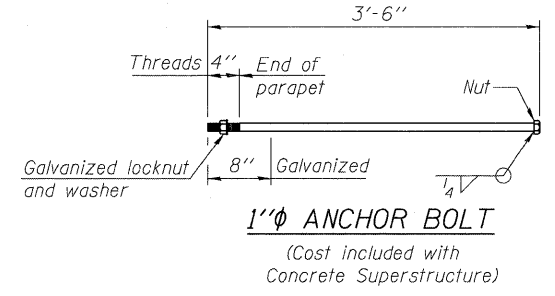
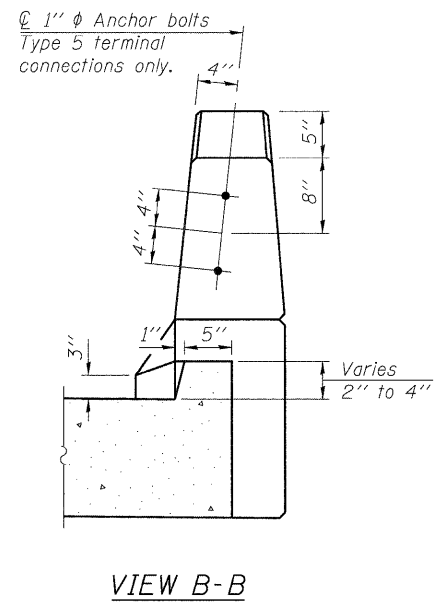
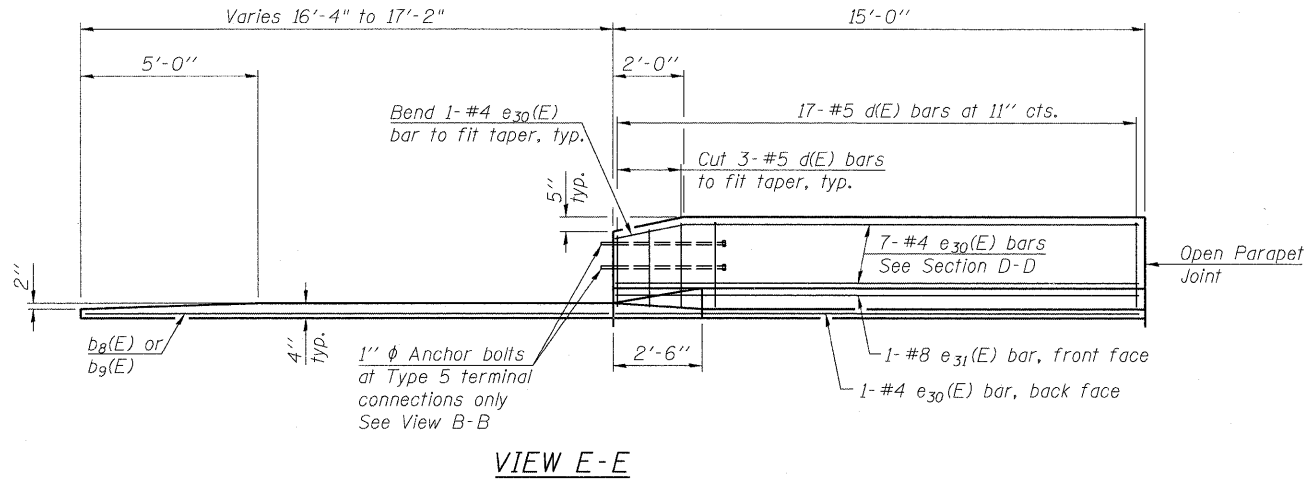
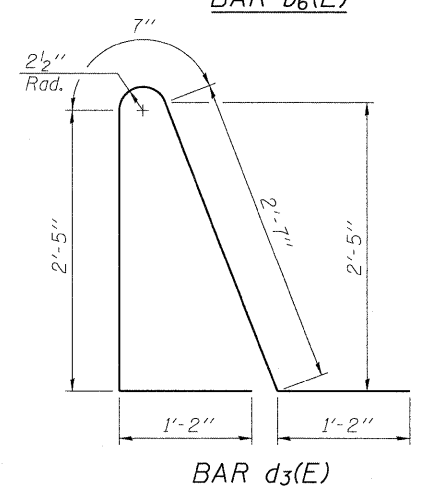
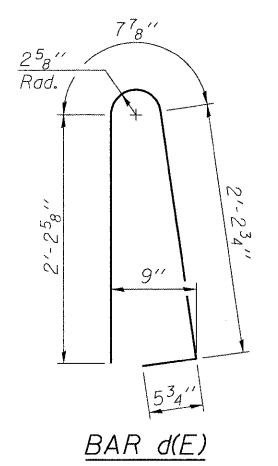
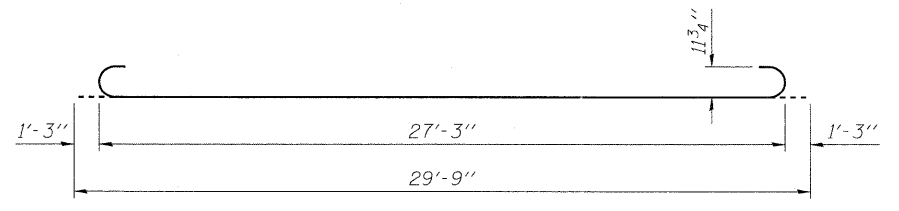
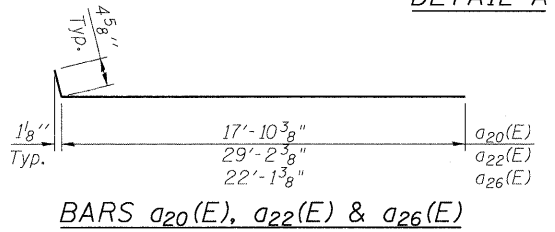
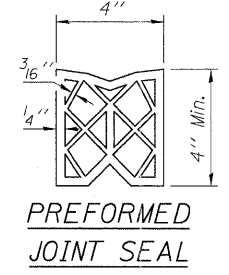
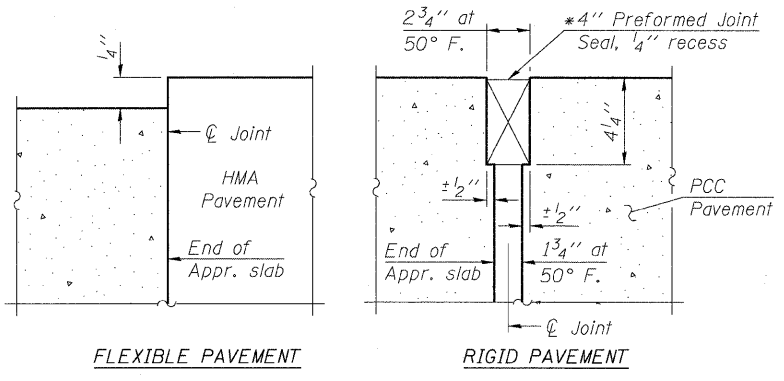


Notes:
 Approach slab, median and parapet concrete shall be paid for as Concrete Superstructure.
 Approach footing concrete shall be paid for as Concrete Structures.
 Reinforcement shall be paid for as Reinforcement Bars, Epoxy Coated.
 For additional parapet details, see sheet 15 of 39.
 For detail of c₁(E) bars, see sheet 16 of 39.



*Cost included with Concrete Superstructure.



WEST APPROACH
 BILL OF MATERIAL

Bar	No.	Size	Length	Shape
a ₂ (E)	24	#6	6'-6"	—
a ₂₀ (E)	25	#4	18'-3"	—
a ₂₁ (E)	46	#5	18'-8"	—
a ₂₂ (E)	25	#4	29'-7"	—
a ₂₃ (E)	46	#5	30'-2"	—
a ₂₄ (E)	50	#4	30'-0"	—
a ₂₅ (E)	92	#5	30'-0"	—
b ₅ (E)	71	#4	29'-8"	—
b ₆ (E)	211	#9	29'-9"	—
b ₇ (E)	2	#4	14'-8"	—
b ₈ (E)	1	#4	16'-7"	—
b ₉ (E)	1	#4	16'-1"	—
b ₁₀ (E)	14	#5	31'-6"	—
c(E)	32	#5	13'-6"	—
c ₁ (E)	32	#5	1'-4"	—
c ₂ (E)	2	#5	15'-10"	—
d(E)	34	#5	5'-7"	—
d ₃ (E)	34	#5	7'-11"	—
e ₃₀ (E)	16	#4	14'-5"	—
e ₃₁ (E)	2	#8	14'-5"	—
t(E)	89	#4	11'-5"	—
w(E)	80	#5	24'-4"	—
w ₁ (E)	80	#5	30'-0"	—
Concrete Superstructure		Cu. Yd.	145.3	
Concrete Structures		Cu. Yd.	32.0	
Reinforcement Bars, Epoxy Coated		Pound	36960	

EAST APPROACH
 BILL OF MATERIAL

Bar	No.	Size	Length	Shape
a ₂ (E)	24	#6	6'-6"	—
a ₂₀ (E)	25	#4	18'-3"	—
a ₂₁ (E)	46	#5	18'-8"	—
a ₂₄ (E)	50	#4	30'-0"	—
a ₂₅ (E)	92	#5	30'-0"	—
a ₂₆ (E)	25	#4	22'-6"	—
a ₂₇ (E)	46	#5	22'-11"	—
b ₅ (E)	67	#4	29'-8"	—
b ₆ (E)	196	#9	29'-9"	—
b ₇ (E)	2	#4	14'-8"	—
b ₈ (E)	1	#4	16'-7"	—
b ₉ (E)	1	#4	16'-1"	—
b ₁₀ (E)	14	#5	31'-6"	—
c(E)	32	#5	13'-6"	—
c ₁ (E)	32	#5	1'-4"	—
c ₂ (E)	2	#5	15'-10"	—
d(E)	34	#5	5'-7"	—
d ₃ (E)	34	#5	7'-11"	—
e ₃₀ (E)	16	#4	14'-5"	—
e ₃₁ (E)	2	#8	14'-5"	—
t(E)	83	#4	11'-5"	—
w(E)	80	#5	24'-4"	—
w ₂ (E)	80	#5	26'-6"	—
Concrete Superstructure		Cu. Yd.	136.1	
Concrete Structures		Cu. Yd.	29.8	
Reinforcement Bars, Epoxy Coated		Pound	34560	

(Sheet 4 of 4)



USER NAME =	DESIGNED - MTH	REVISED -
FILE NAME =	CHECKED - ADB	REVISED -
PLOT SCALE =	DRAWN - AJF	REVISED -
PLOT DATE =	CHECKED - MTH	REVISED -

STATE OF ILLINOIS
 DEPARTMENT OF TRANSPORTATION

BRIDGE APPROACH SLAB DETAILS
 STRUCTURE NO. 045-0037

SHEET NO. 21 OF 39 SHEETS

F.A.P. RTE.	SECTION	COUNTY	TOTAL SHEETS	SHEET NO.
573	61HB-1-R	KANE	110	71
CONTRACT NO. 60K76				
ILLINOIS FED. AID PROJECT				