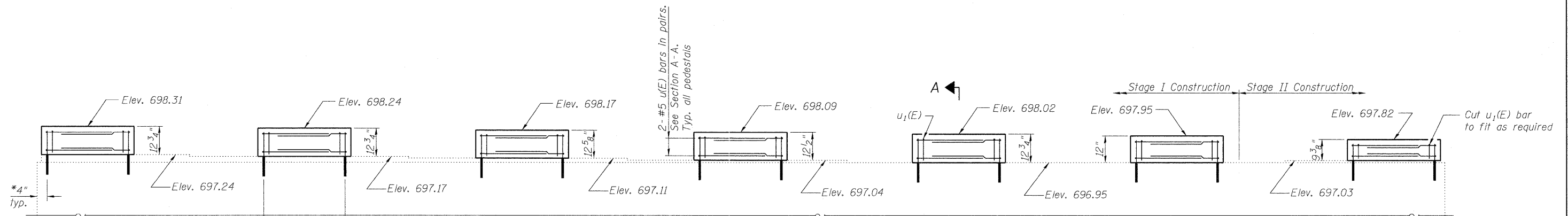
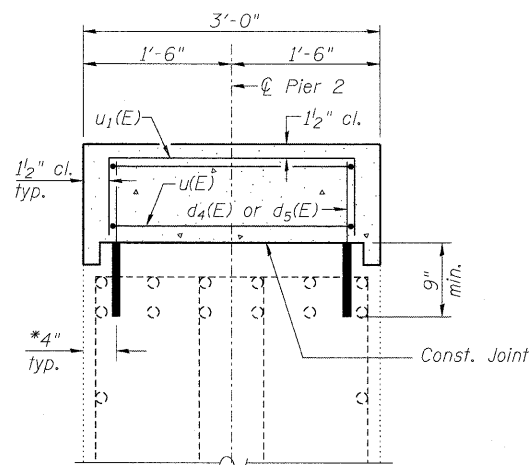


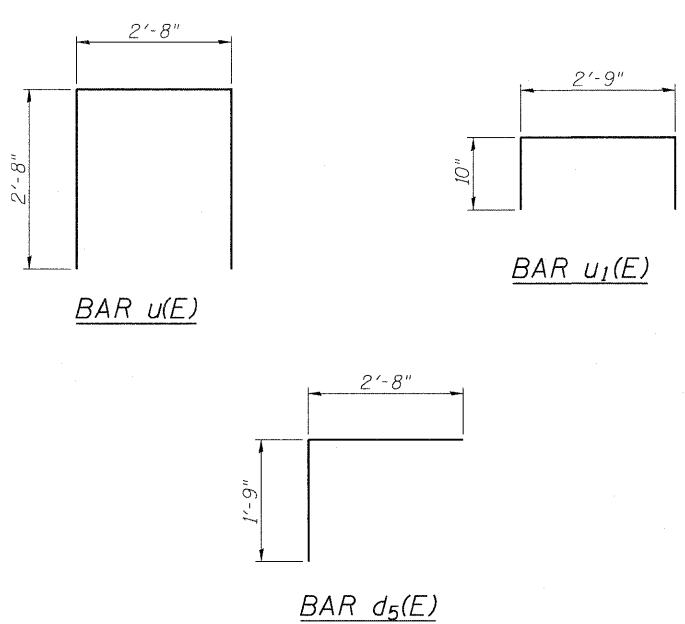
TOP PLAN OF PIER 2 (SOUTH PORTION)



ELEVATION
(Looking West)



SECTION A-A



MIN. BAR LAP
#5 = 2'-0"

BILL OF MATERIAL
(Pier 2-South Portion)

Bar	No.	Size	Length	Shape
d ₄ (E)	28	#6	1'-9"	—
d ₅ (E)	28	#6	4'-5"	—
u(E)	28	#5	8'-0"	—
u ₁ (E)	28	#5	4'-5"	—
Concrete Structures			Cu. Yd.	2.7
Reinforcement Bars, Epoxy Coated			Pound	630

* Adjust as necessary to miss existing reinforcement in cap.

Notes:
See sheet 30 of 39 for Anchor Bolt Layout.
Space pedestal reinforcement to miss proposed anchor bolts.
Prior to ordering any material, the Contractor shall verify in the field all bearing height dimensions.

(Sheet 1 of 2)