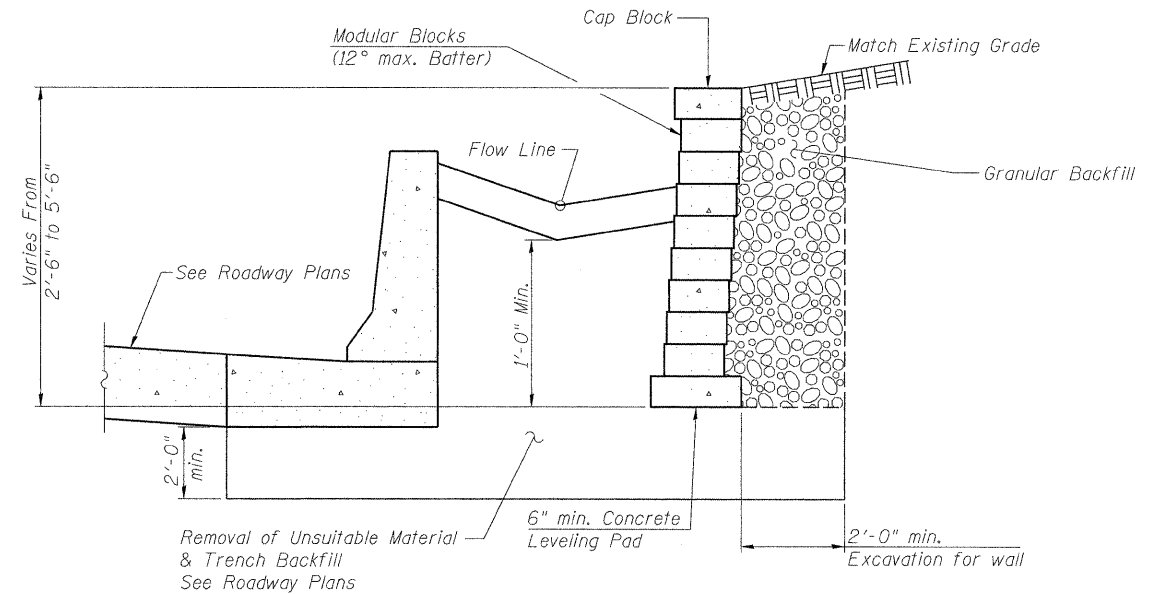
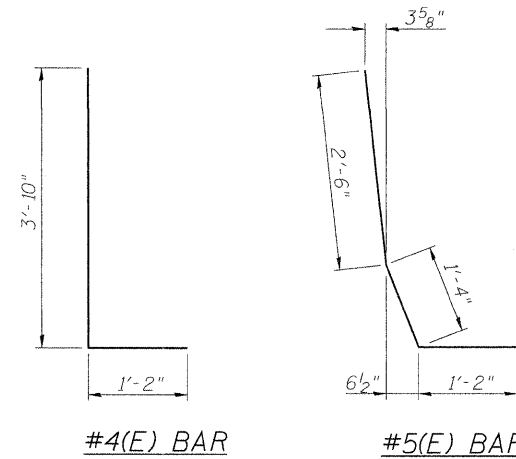


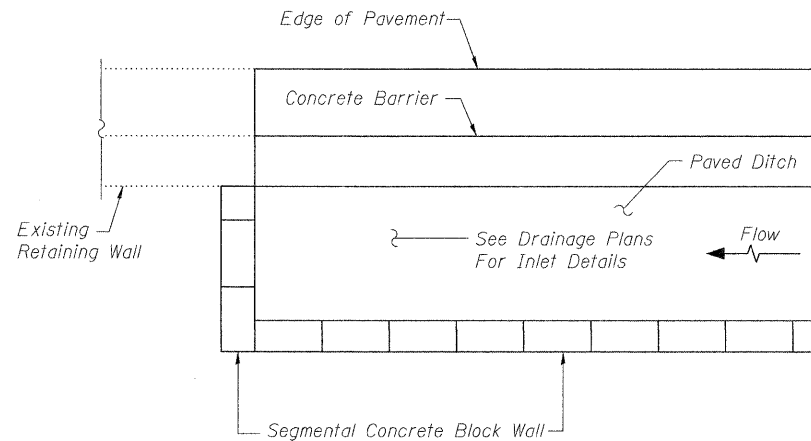
CONCRETE BARRIER, SINGLE FACE, 42 INCH HEIGHT
 (Horizontal dimensions at right angles to barrier unless noted otherwise)



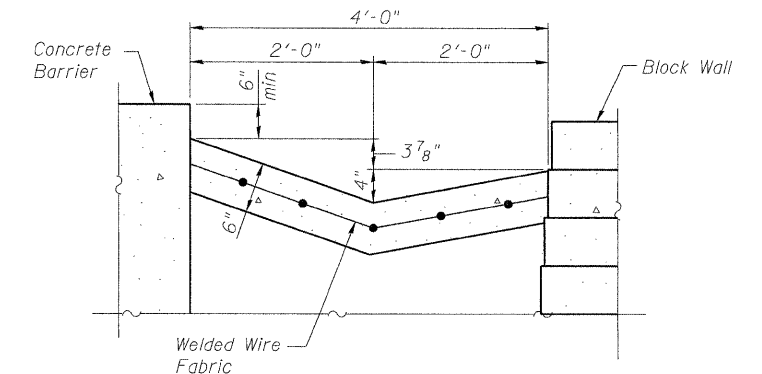
TYPICAL SECTION - UNREINFORCED RETAINING WALL



Notes:
 Block Retaining Walls shall be constructed to manufacturer's specifications and to the approval of the Engineer.
 The Schematic representation shown in the drawings is arbitrary. Appropriate adjustments shall be made to suit the manufacturer's product size.
 Excavation, granular backfill, concrete blocks, concrete leveling pad shown in plans and other accessories shall be included in the pay item "Segmental Concrete Block Wall"
 All cast in place concrete shall have a minimum compressive strength f'_c of 3,500 psi.
 Reinforcement bars shall conform to the requirements of ASTM A 706 Gr 60. See Special Provisions.
 Reinforcement bars designated (E) shall be epoxy coated.
 Reinforcement bars and support slab concrete to be provided per above detail shall be included in the contract cost per foot for "Concrete Barrier, Single Face, 42 Inch Height".
 Welded wire fabric shall be included in "Paved Ditch (Special)".
 Contractor shall submit construction drawings for parapet showing joints and reinforcement details for Engineer's approval.
 Ditch shape to match that of Type 9 inlet grate.



DETAIL A



PAVED DITCH DETAIL

USER NAME =	DESIGNED - TBP	REVISED -
FILE NAME =	CHECKED - KHH	REVISED -
PLOT SCALE =	DRAWN - AJF	REVISED -
PLOT DATE =	CHECKED - KHH	REVISED -

F.A.P. RTE. 311	SECTION 652X-N-3	COUNTY	TOTAL SHEETS 34	SHEET NO. 20
CONTRACT NO. 60L22			FED. ROAD DIST. NO. 1 [ILLINOIS] FED. AID PROJECT	