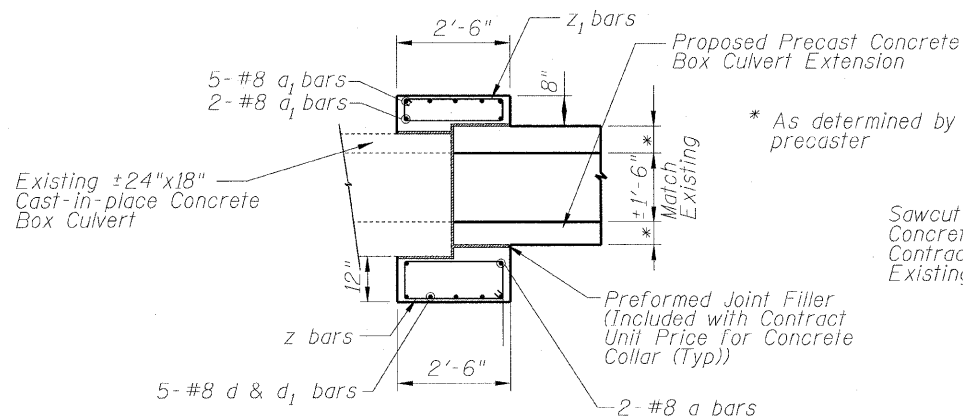
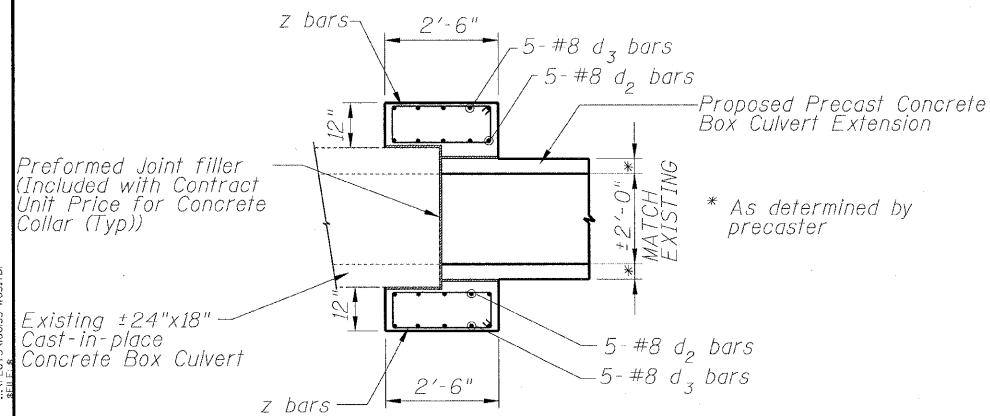


1/2" Preformed Joint Filler
(Include with Contract Unit Price for Concrete Collar)
(Typ 4 sides)

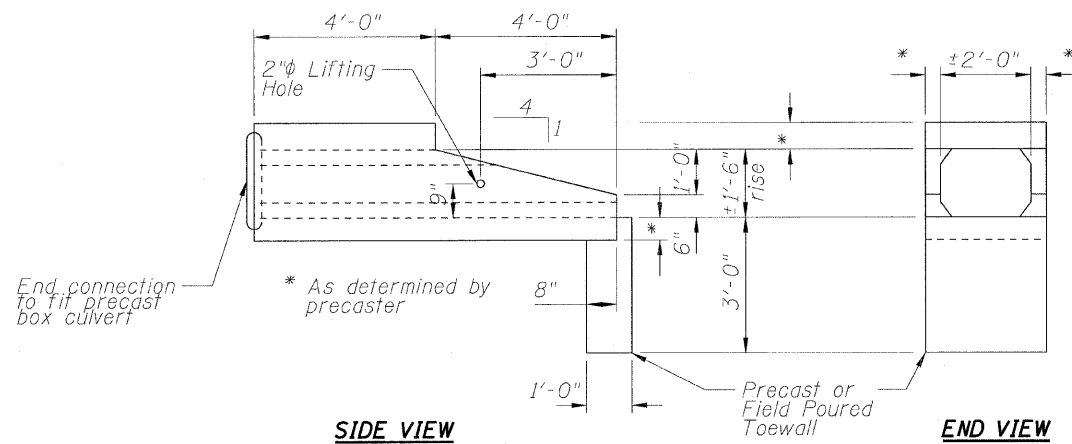
SECTION THRU BOX COLLAR



**SECTION THRU TOP & BOTTOM SLAB
(Elevation View)**

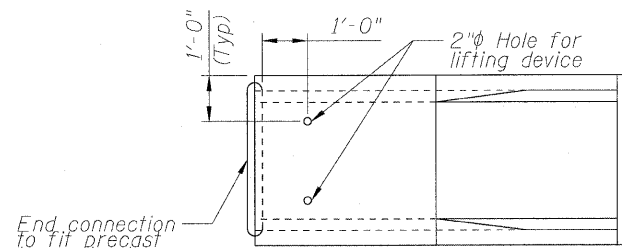


**SECTION THRU SIDEWALLS
(Top View)**



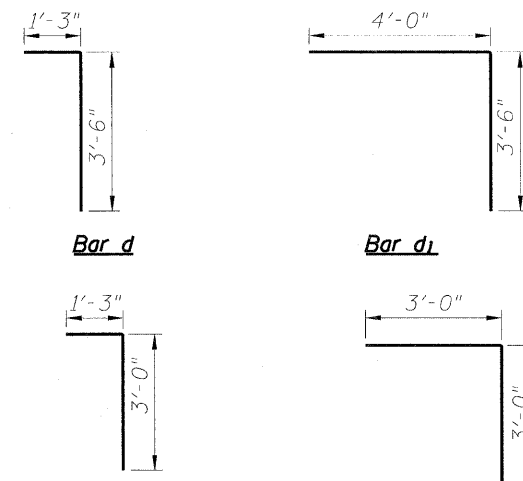
SIDE VIEW

END VIEW



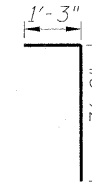
PLAN VIEW

**PRECAST BOX CULVERT
END SECTION DETAILS**

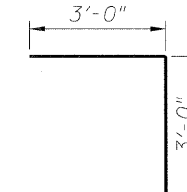


Bar d

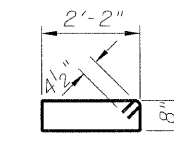
Bar d1



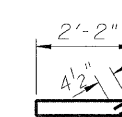
Bar d2



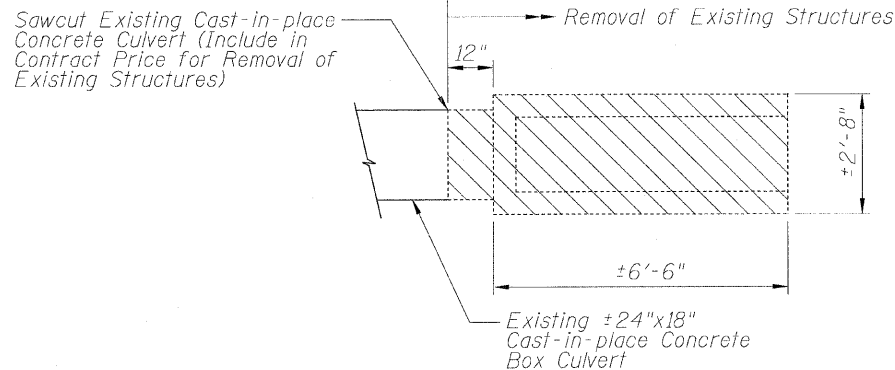
Bar d3



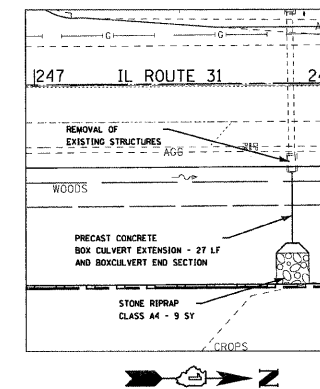
Bar z



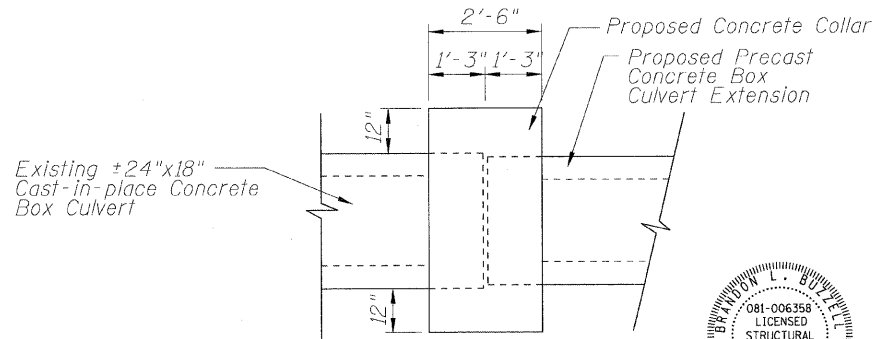
Bar z1



REMOVAL PLAN



**GENERAL PLAN
N.T.S.**



PROPOSED PLAN

CONCRETE COLLAR DETAILS

BILL OF MATERIAL

Bar	No.	Size	Length	Shape	
a1	9	#8	4'-4"	—	
d	10	#8	4'-9"	┌	
d1	10	#8	7'-6"	┌	
d2	10	#8	4'-3"	┌	
d3	10	#8	6'-0"	┌	
z	9	#4	6'-5"	┌	
z1	3	#4	5'-9"	┌	
Removal of Existing Structures				Each	1
Concrete Collar				Cu Yd	1.5
Reinforcement Bars				Pounds	760

DESIGN SPECIFICATIONS

2002 AASHTO Standard Specification for Highway Bridges 17th edition.

DESIGN STRESSES

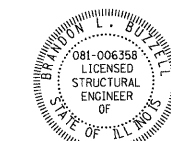
$f_y = 60,000$ psi (Reinforcement)
 $f'_c = 3,500$ psi
Allowable Net Soil Bearing Pressure = 2,000 psf minimum

GENERAL NOTES

Reinforcement bars shall conform to requirements of ASTM A706, Gr 60. See Special Provisions.

Place reinforcing bars to provide 2 inches clear concrete cover except where shown on drawings.

All construction joints shall be bonded.



STRUCTURAL ENGINEER
LICENSE EXPIRES 11-30-2012

COPYRIGHT © 2010 BY BAYTER & WOODMAN, INC.
 STATE OF ILLINOIS - PROFESSIONAL DESIGN FIRM
 LICENSE NO. 081-006358
 11/30/2012

DESIGNED - BAB	EXAMINED	DATE
CHECKED - BLB	ENGINEER OF BRIDGE DESIGN	
DRAWN - KAR	PASSED	
DATE - 09-10-10	ENGINEER OF BRIDGES AND STRUCTURES	

STATE OF ILLINOIS DEPARTMENT OF TRANSPORTATION	
IL ROUTE 31 - AMES ROAD TO EDGEWOOD ROAD CULVERT EXTENSION	
SHEET NO. 1 OF 1 SHEETS	

F.A. RTE.	SECTION	COUNTY	TOTAL SHEETS	SHEET NO.
336	2010-049-N	MCHENRY	50	35
				CONTRACT NO. 60125
ILLINOIS FED. AID PROJECT				