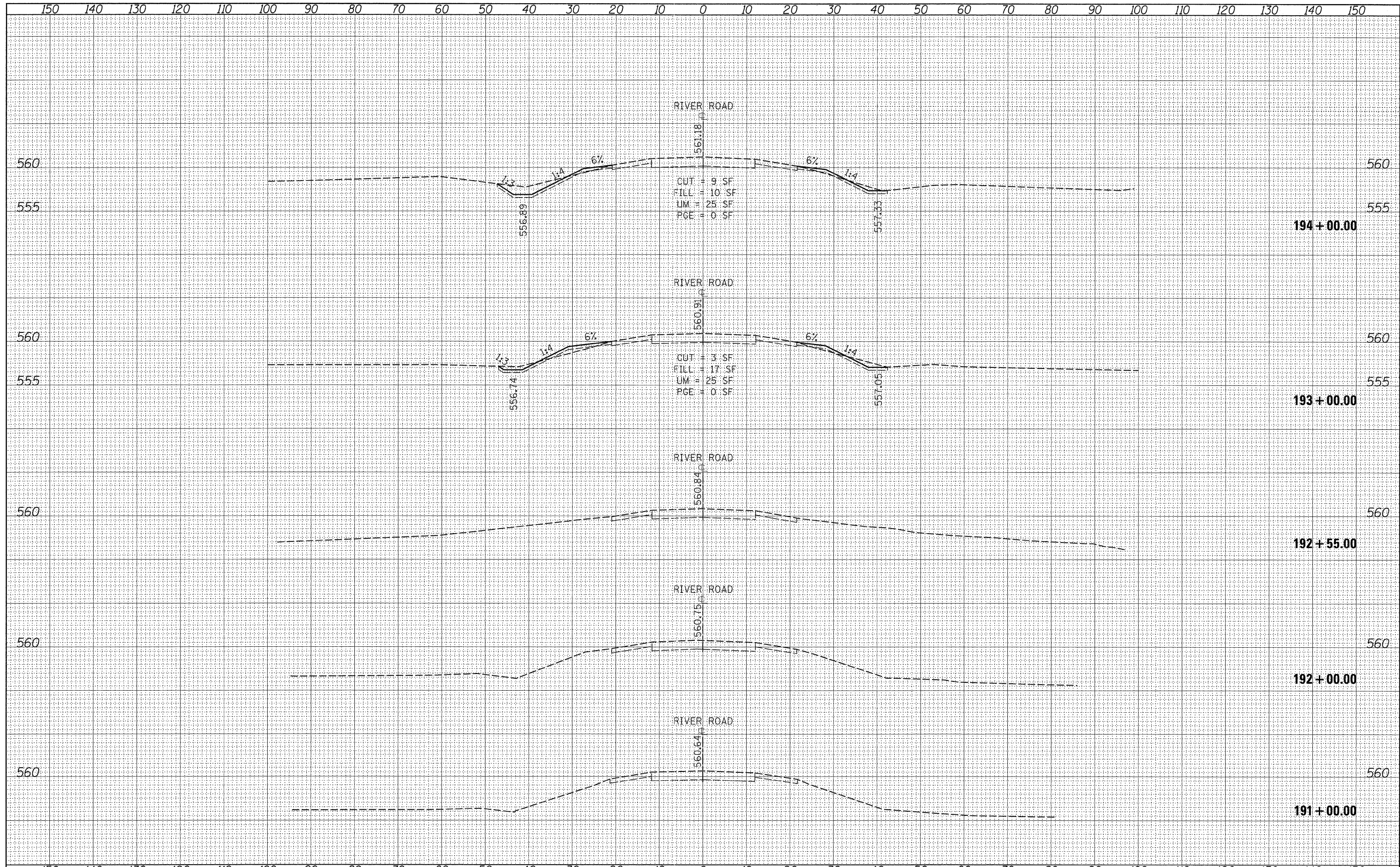


DATE	
BY	
SURVEYED	
PLOTTED	
TEMPLATE	
AREAS	
CHECKED	
FINAL SURVEY	
NOTE BOOK	
NO.	

DATE	
BY	
SURVEYED	
PLOTTED	
TEMPLATE	
AREAS	
CHECKED	
ORIGINAL SURVEY	
NOTE BOOK	
NO.	



FILE NAME =	USER NAME = becker.com	DESIGNED -	REVISED -	STATE OF ILLINOIS DEPARTMENT OF TRANSPORTATION		RIVER ROAD CROSS SECTIONS		F.A.P. RTE.	SECTION	COUNTY	TOTAL SHEETS	SHEET NO.
et:\pw\work\p\sdot\becker.com\d0150277\PI42009-1	ht-ssht-River-Design.dgn	DRAWN -	REVISED -					846	4-N-3	WILL	68	65
	PLOT SCALE = 10,000' / 1" =	CHECKED -	REVISED -					CONTRACT NO. 60L42				
	PLOT DATE = 8/23/2011	DATE -	REVISED -					FED. ROAD DIST. NO. 1 ILLINOIS FED. AID PROJECT				
SCALE:		SHEET NO. OF SHEETS		STA. 191+00.00 TO STA. 194+00.00								