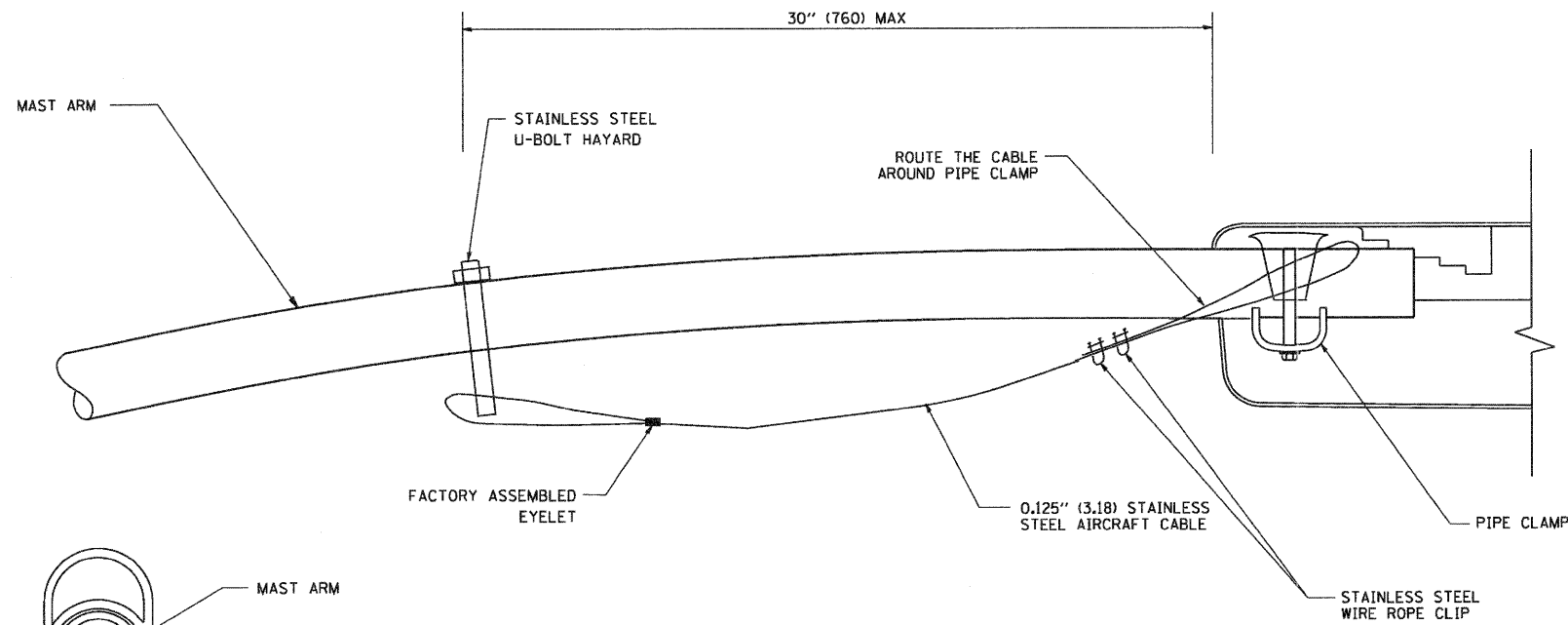
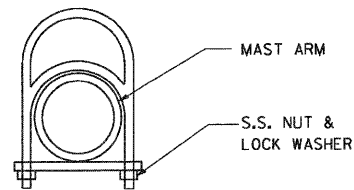


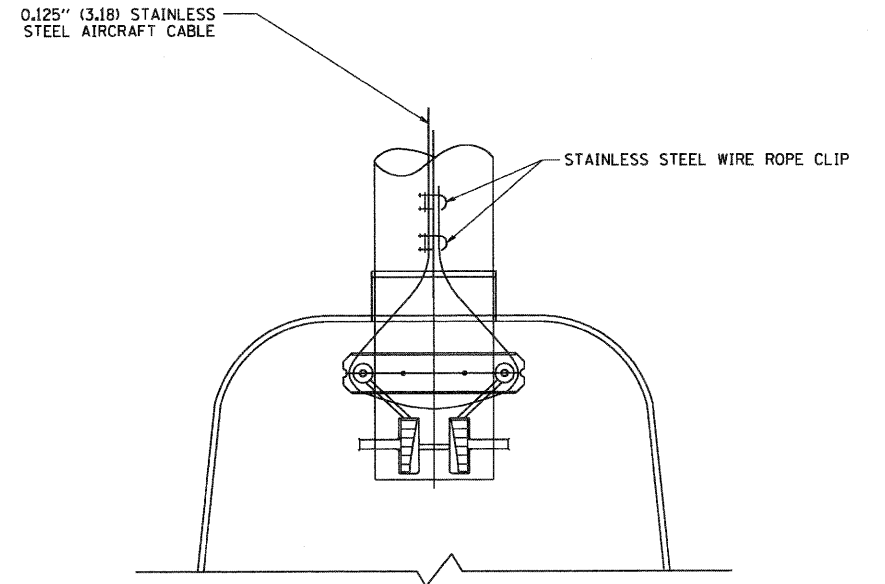
**SIDE VIEW (TRUSS ARM)**  
N.T.S.



**SIDE VIEW (SINGLE MEMBER OR DAVIT ARM)**  
N.T.S.



STAINLESS STEEL  
U-BOLT HAYARD



**BOTTOM VIEW**  
N.T.S.

**NOTES:**

1. ALL DIMENSIONS ARE IN MILLIMETERS (INCHES) UNLESS OTHERWISE SHOWN.
2. CONTRACTOR SHALL ADJUST THE WIRE CLIP TO ELIMINATE ANY SLACK FROM THE WIRE ROPE.
3. THE 0.125" (3.18) STAINLESS STEEL AIRCRAFT CABLE SHALL REMAIN VISIBLE FROM THE GROUND LEVEL.
4. THE BREAKING STRENGTH OF THE CABLE SHALL BE 1700 LBS. MIN.

FILE NAME = W:\diststd\22x34\be701.dgn	USER NAME = geglienobt	DESIGNED -	REVISED - 08-08-03	<b>STATE OF ILLINOIS DEPARTMENT OF TRANSPORTATION</b>	<b>LUMINAIRE SAFETY CABLE ASSEMBLY</b>			F.A.P. RTE. 846	SECTION 2010-085-TS	COUNTY WILL	TOTAL SHEETS 28	SHEET NO. 26
	PLOT SCALE = 50.000' / IN.	CHECKED -	REVISED -					SCALE: NONE		SHEET NO. 1 OF 1 SHEETS	STA. TO STA.	CONTRACT NO. 60L80
PLOT DATE = 1/4/2008	DATE -	REVISED -		FED. ROAD DIST. NO. 1   ILLINOIS FED. AID PROJECT								