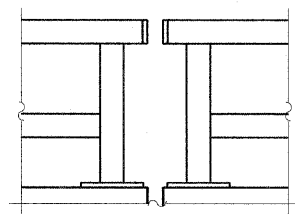
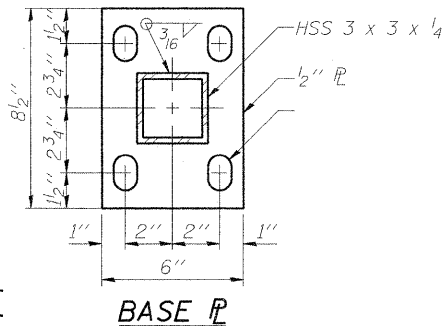


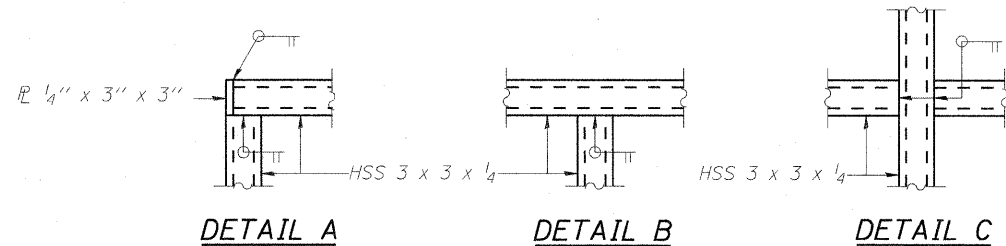
**PARAPET RAILING
ELEVATION**
(10'-0" Maximum Post Spacing)
(Inside Face of Two Element Rail)



**PARAPET RAILING
ELEVATION AT EXPANSION JOINT**



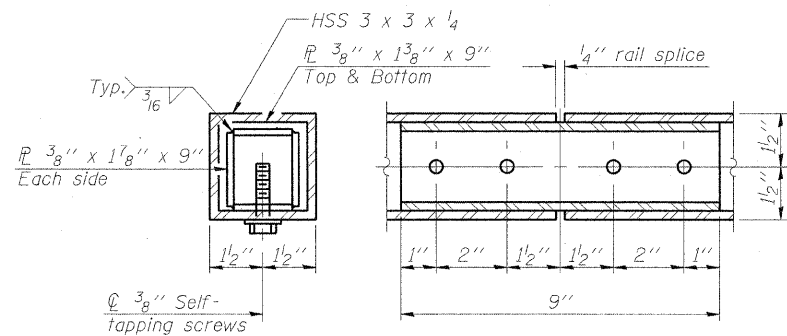
BASE PL



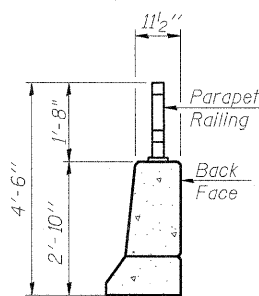
DETAIL A

DETAIL B

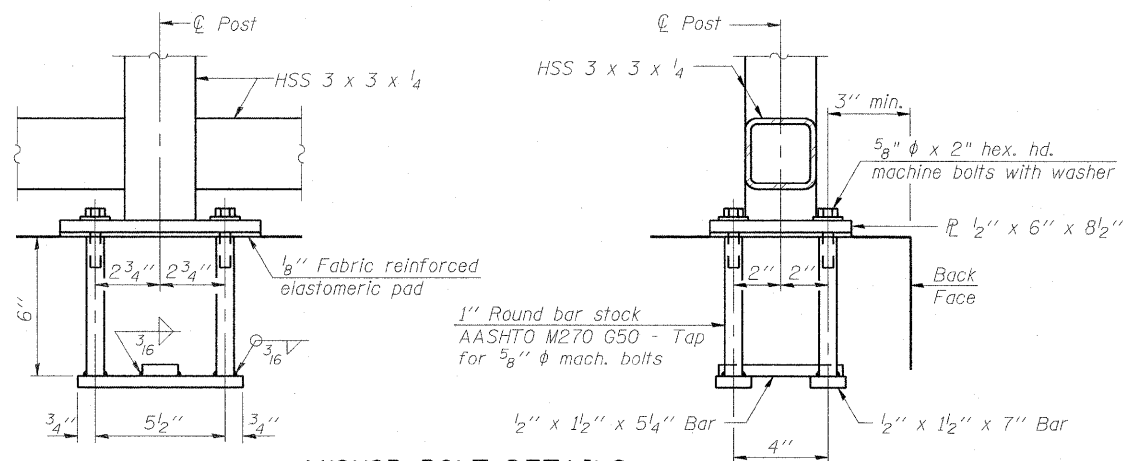
DETAIL C



RAIL SPLICE



SECTION THRU DECK



ANCHOR BOLT DETAILS

In lieu of the cast-in-place anchor device shown, the Contractor has the option of drilling and setting 5/8" ϕ anchor rods according to Article 509.06 of the Standard Specifications. Embedment shall be according to the manufacturer's specifications.

All steel rail elements shall be galvanized according to Article 509.05 of the Standard Specifications.

BILL OF MATERIAL

Item	Unit	Quantity
Parapet Railing	Foot	49

FILE NAME = G:\projects\2102155_002\CADD\Structure\Sheet\0568301-60M54-107-Parapet Railing.dgn



USER NAME = zpiend
PLOT SCALE = N/A
PLOT DATE = 9/7/2011

DESIGNED - BPS	REVISED -
CHECKED - BHS	REVISED -
DRAWN - BPS	REVISED -
CHECKED - BHS	REVISED -

**STATE OF ILLINOIS
DEPARTMENT OF TRANSPORTATION**

**PARAPET RAILING
S.N. 056-0301**

SHEET NO. 57 OF 9 SHEETS

F.A.P. RTE.	SECTION	COUNTY	TOTAL SHEETS	SHEET NO.
533	119-T-1	McHENRY	40	22
IL ROUTE 176			CONTRACT NO. 60M54	
FED. ROAD DIST. NO.		ILLINOIS FED. AID PROJECT		