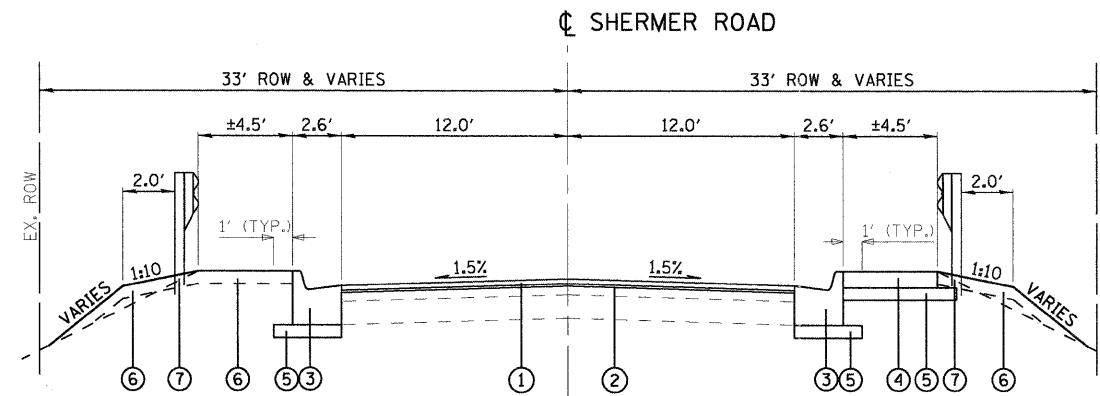


EXISTING TYPICAL SECTION

FACING NORTH
 STA. 205+33.10 TO 206+61.11
 BRIDGE OMISSION STA. 205+71.44 TO STA. 206+22.78
 N.T.S.

EXISTING LEGEND

- (A) EXIST. HMA PAVEMENT, ±3"
- (B) EXIST. PCC PAVEMENT, ±9"
- (C) EXIST. COMBINATION CONCRETE CURB AND GUTTER
- (D) EXIST. PCC SIDEWALK
- (E) EXIST. GRASS AND TOPSOIL
- (F) EXIST. GUARDRAIL
- (G) HMA SURFACE REMOVAL, VARIABLE DEPTH



PROPOSED TYPICAL SECTION

FACING NORTH
 STA. 205+33.10 TO 206+61.11
 BRIDGE OMISSION STA. 205+71.44 TO STA. 206+22.78
 N.T.S.

PROPOSED LEGEND

- ① HMA SURFACE COURSE, MIX "D", N70; 1 1/2"
 - ② LEVELING BINDER (MACHINE METHOD), N70; 3/4"
 - ③ COMBINATION CONCRETE CURB & GUTTER, TYPE B6.24
 - ④ PORTLAND CEMENT CONCRETE SIDEWALK, 5"
 - ⑤ SUBBASE GRANULAR MATERIAL, TYPE B 4"
 - * ⑥ TOPSOIL AND SEEDING, CL 2A
 - * ⑦ STEEL PLATE BEAM GUARDRAIL, TYPE A, 6 FOOT POSTS
- * NOTE: LIMITS OF THESE PROPOSED ITEMS TO BE DETERMINED IN THE FIELD BY THE RESIDENT ENGINEER.

HMA MIXTURE REQUIREMENTS

MIX DESIGNS	AIR VOIDS
RESURFACING	
HMA SURFACE COURSE, MIX "D", N70, (IL-9.5mm); 1 1/2"	4% @ 70 GYRATIONS
LEVELING BINDER, N70, (IL-9.5mm); 3/4"	4% @ 70 GYRATIONS

NOTE: THE UNIT WEIGHT USED TO CALCULATE ALL HOT-MIX ASPHALT SURFACE MIXTURES IS 112 LBS/SY/IN.

THE "AC TYPE" FOR POLYMERIZED HMA MIXES SHALL BE "SBS/SBR PG 70 -22" AND FOR NON-POLYMERIZED HMA THE "AC TYPE" SHALL BE "PG 64 -22" UNLESS MODIFIED BY DISTRICT ONE SPECIAL PROVISIONS. FOR "PERCENT OF RAP" SEE DISTRICT ONE SPECIAL PROVISIONS.

FILE NAME = g:\proj\sect\2102155_010\cead\civil\sect\011664-04\ht-typosal.dgn



USER NAME = ZPIENID	DESIGNED - DJB	REVISED -
PLOT SCALE = 58.00' / IN.	DRAWN - ENTRAN	REVISED -
PLOT DATE = 8/31/2011	CHECKED - TMH	REVISED -
	DATE - 08/02/11	REVISED -

**STATE OF ILLINOIS
 DEPARTMENT OF TRANSPORTATION**

**SHERMER ROAD OVER MIDDLE FORK NORTH BRANCH CHICAGO RIVER
 TYPICAL SECTIONS**

SCALE: 58.00' / IN. SHEET NO. OF SHEETS STA. TO STA.

F.A.J. RTE. 2760	SECTION 100-B-1	COUNTY COOK	TOTAL SHEETS 28	SHEET NO. 4
FED. ROAD DIST. NO. 1 ILLINOIS FED. AID PROJECT			CONTRACT NO. 60M80	