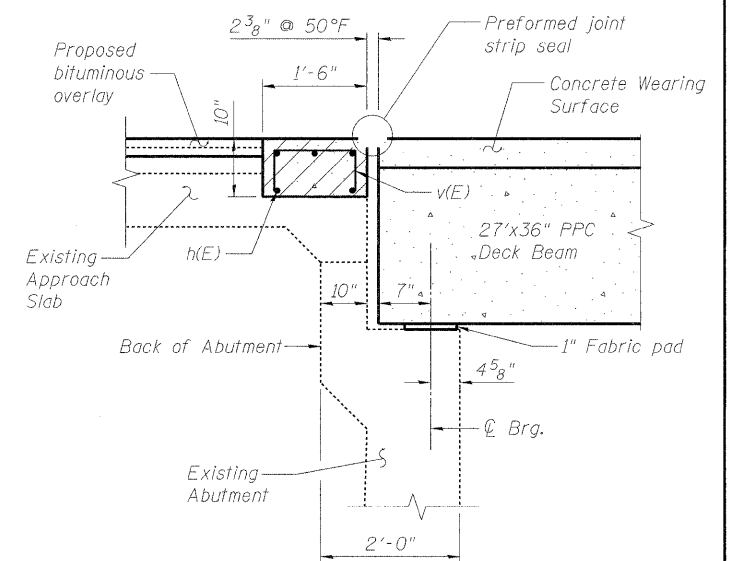
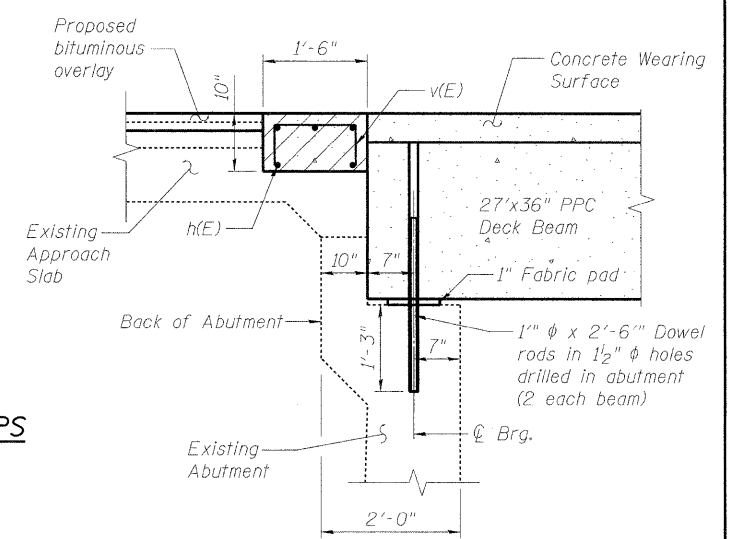


DECK PLAN

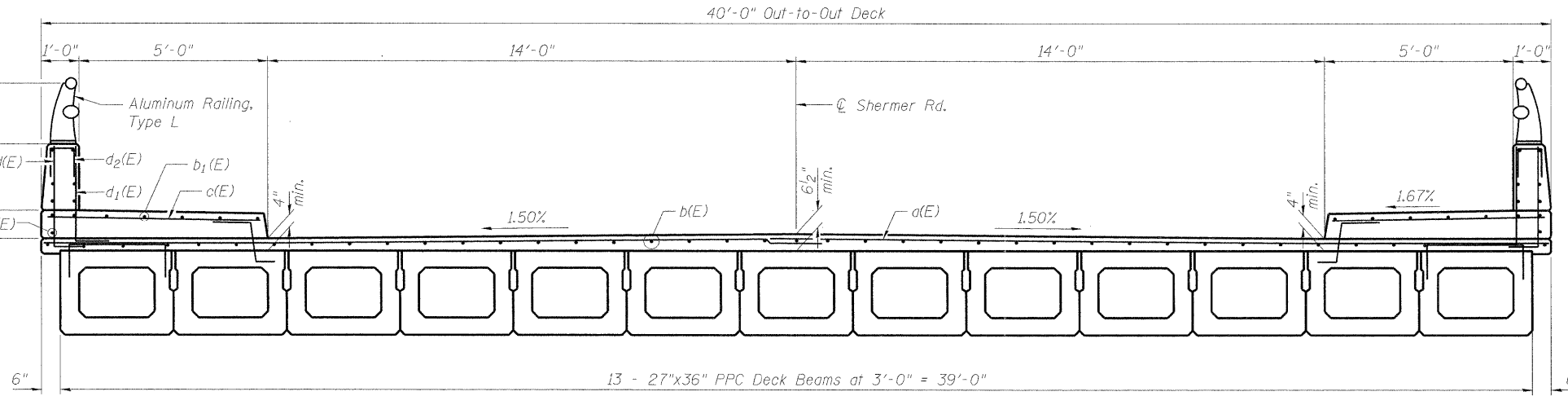


SECTION A-A



SECTION B-B

MINIMUM BAR LAPS
 (Deck and Sidewalk)
 #4 bar = 2'-1"
 #5 bar = 2'-7"



DECK CROSS SECTION
 (Looking Upstation)

Notes:
 Hatched area to be poured after concrete wearing surface is in place. Quantity of concrete included with Concrete Superstructure.
 After beams have been erected, holes shall be drilled into substructure and anchor dowels placed. Dowel holes shall be filled with non-shrink grout to top of beam and allowed to cure min. 24 hrs. prior to grouting the shear keys.
 See sheet S4 of 14 for superstructure details and Bill of Materials.
 Bars indicated thus 20x3-#5 etc. indicates 20 lines of bars with 3 lengths per line.
 See Sheet S4 of 14 for parapet reinforcement.
 See Sheet S4 of 14 for bearing pad details.

FILE NAME = g:\projects\21022155_010\cadd\structure\160814-08M80-0003 Deck Ldgn

	USER NAME = zsaigerb	DESIGNED - BPS	REVISED -	STATE OF ILLINOIS DEPARTMENT OF TRANSPORTATION	DECK PLAN S.N. 016-0814	F.A.U. RTE. 2760	SECTION 100-B-1	COUNTY COOK	TOTAL SHEETS 28	SHEET NO. 13		
	PLOT SCALE = N/A	DRAWN - BPS	REVISED -			CONTRACT NO. 60M80						
	PLOT DATE = 10/14/2011	CHECKED - GSP	REVISED -			ILLINOIS FED. AID PROJECT						
	SHEET NO. S3 OF 14 SHEETS											
	ILLINOIS FED. AID PROJECT											