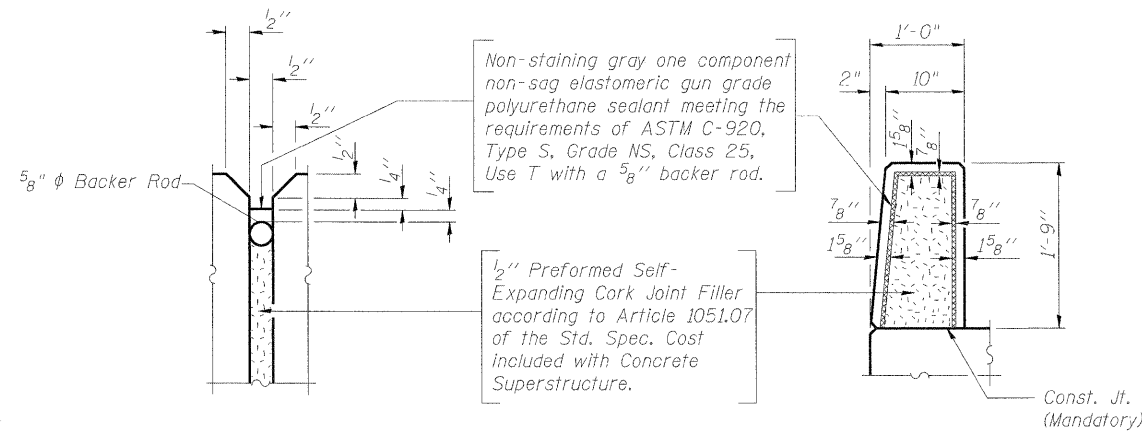


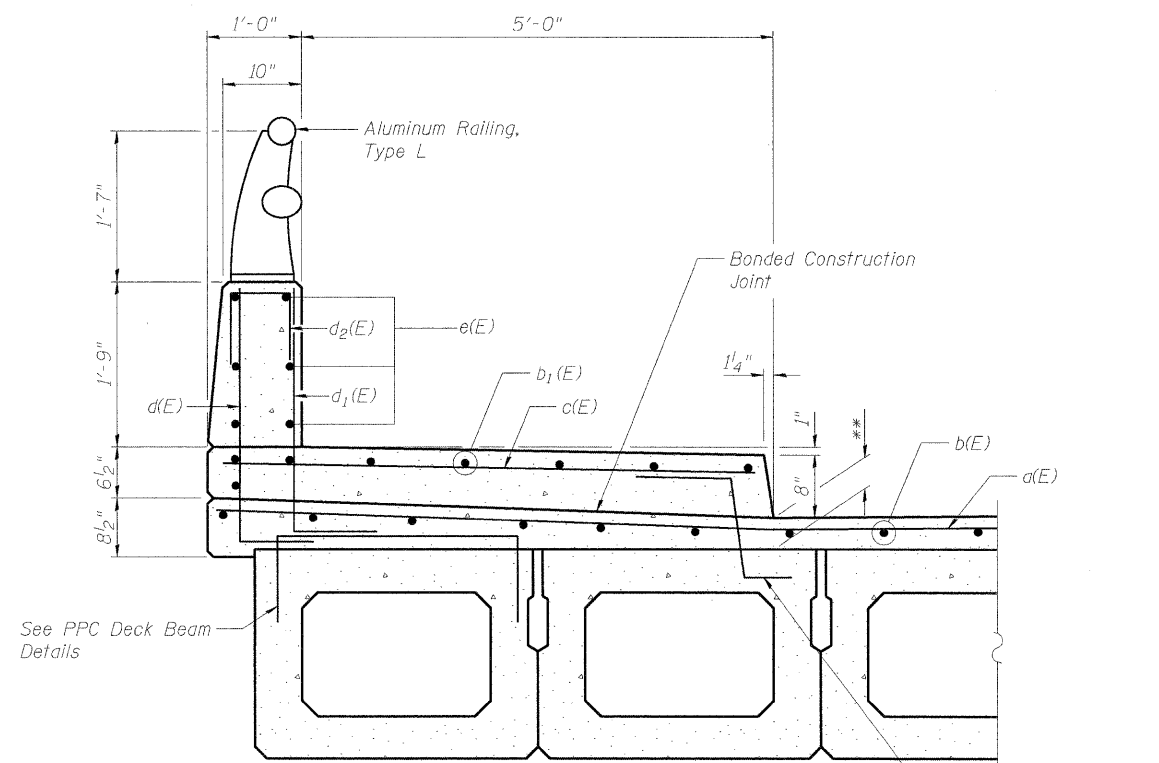
**INSIDE ELEVATION OF PARAPET**



**PARAPET JOINT DETAILS**

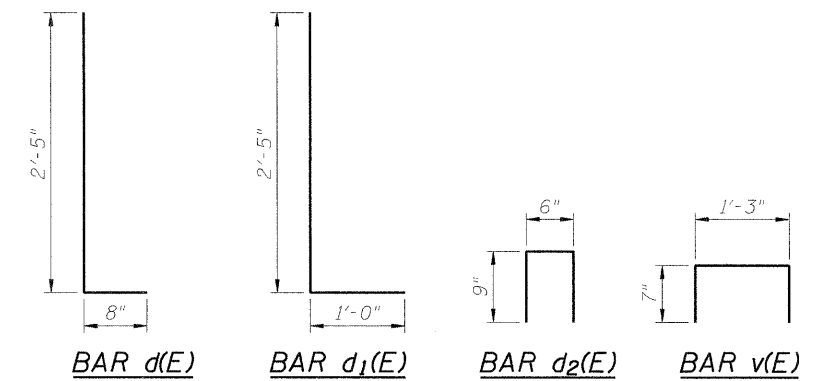
**SUPERSTRUCTURE  
BILL OF MATERIAL**

Bar	No.	Size	Length	Shape
a(E)	98	#4	20'-11"	—
b(E)	82	#4	25'-0"	—
b1(E)	32	#5	25'-3"	—
c(E)	98	#5	5'-8"	—
d(E)	98	#4	3'-1"	L
d1(E)	98	#6	3'-5"	L
d2(E)	24	#4	2'-0"	n
e(E)	36	#4	15'-8"	—
h(E)	10	#5	23'-8"	—
v(E)	50	#5	2'-5"	□
Concrete Superstructure			Cu. Yd.	20.7
Bridge Deck Grooving			Sq. Yd.	139
Protective Coat			Sq. Yd.	238
Reinforcement Bars, Epoxy Coated			Pound	5,650
Concrete Wearing Surface, 5"			Sq. Yd.	214



**SECTION THRU SIDEWALK**

\*\* Varies from 4" at midspan to 4 5/8" at end of deck



FILE NAME = g:\project\2102125\_010\road\structure\0160814-60M06-001-Deck\_2.dgn