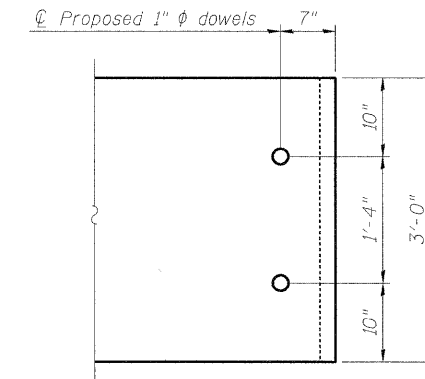
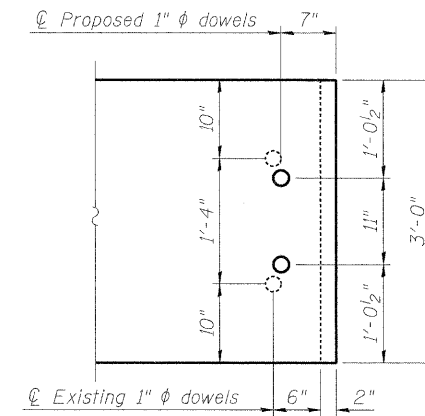


FRAMING PLAN

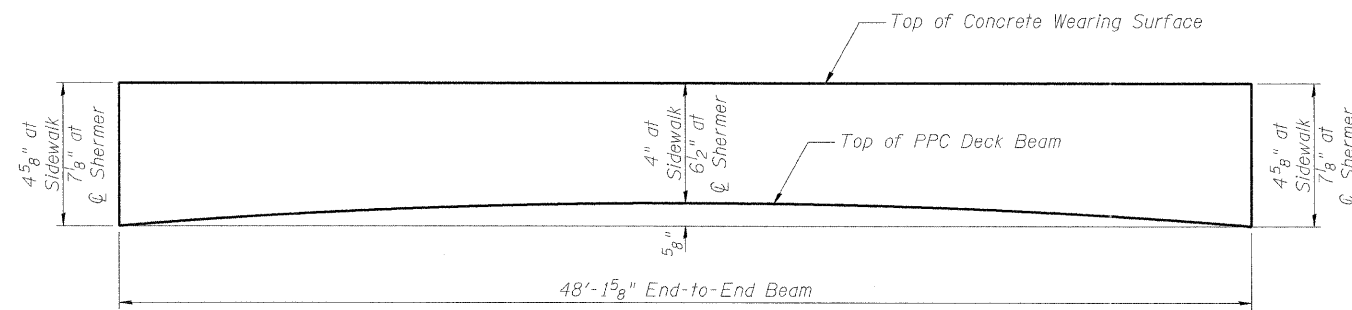


BEAMS 2, 5 THRU 9 & 12



BEAMS 1, 3, 4, 10, 11 & 13

DOWEL PLAN AT FIXED END
(North Abutment)



INITIAL CAMBER DIAGRAM

Note:
Existing Dowel Rods shall be cut off & ground flush with the top of the existing concrete. Cost to be included with Removal of Existing Superstructures.

FILE NAME = g:\projects\2102165_810\cadd\structure\0162014-60M80-089-Framing.dgn



USER NAME = 2PIEND	DESIGNED - BPS	REVISED -
PLOT SCALE = N/A	CHECKED - BHS	REVISED -
PLOT DATE = 8/31/2011	DRAWN - BPS	REVISED -
	CHECKED - GSP	REVISED -

STATE OF ILLINOIS
DEPARTMENT OF TRANSPORTATION

FRAMING PLAN
S.N. 016-0814

SHEET NO. 59 OF 14 SHEETS

F.A.J. RTE.	SECTION	COUNTY	TOTAL SHEETS	SHEET NO.
2760	100-B-1	COOK	28	19
CONTRACT NO. 60M80				
ILLINOIS FED. AID PROJECT				