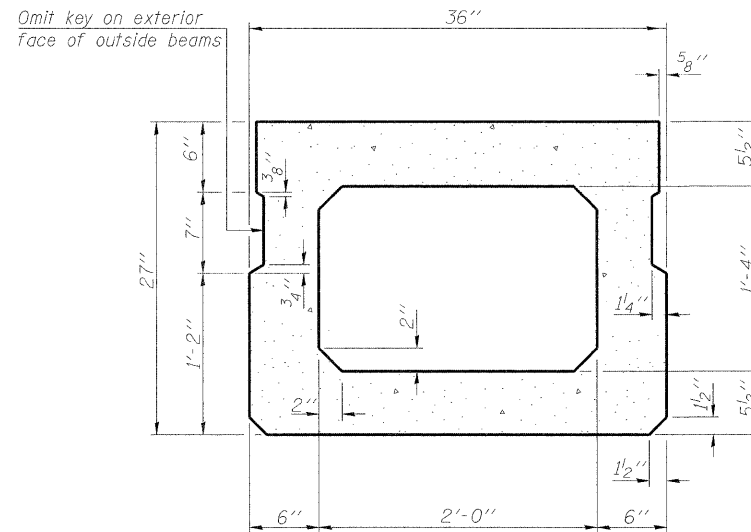
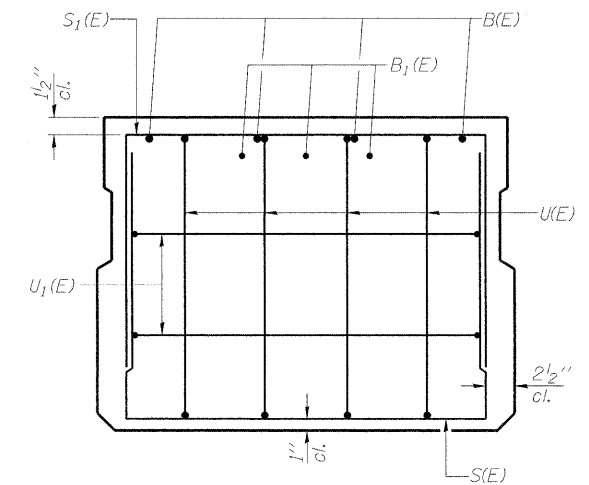


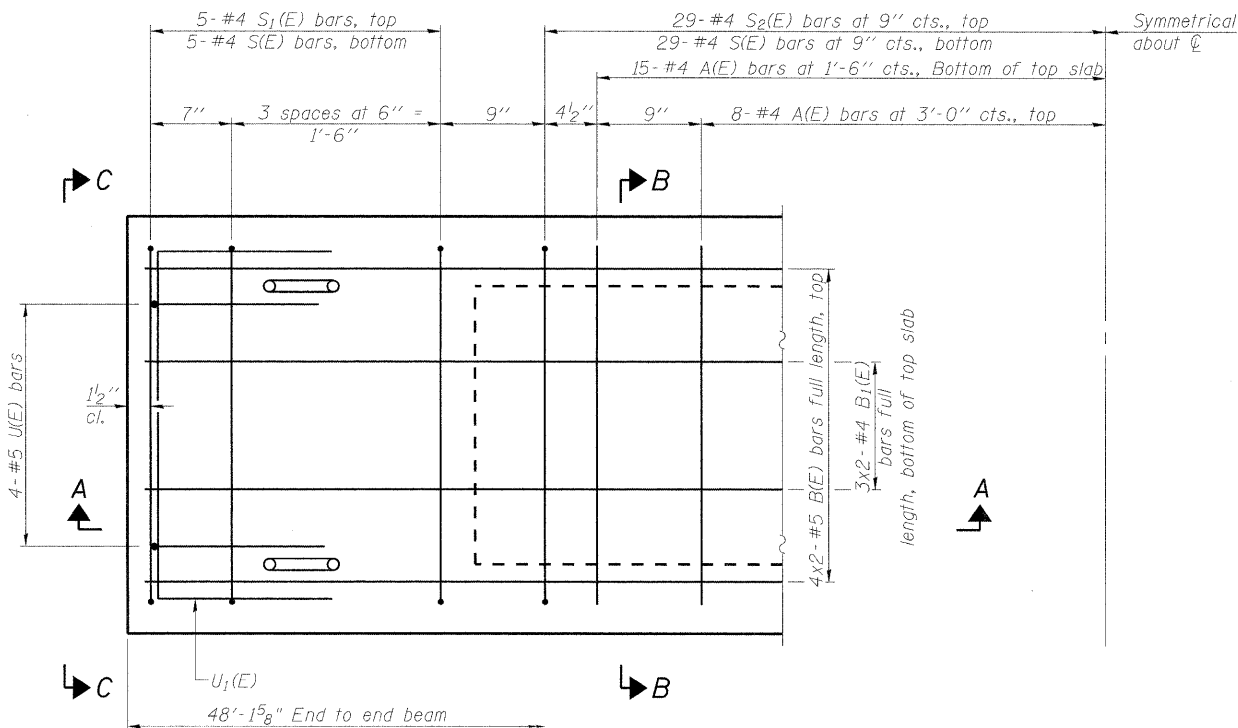
SECTION A-A



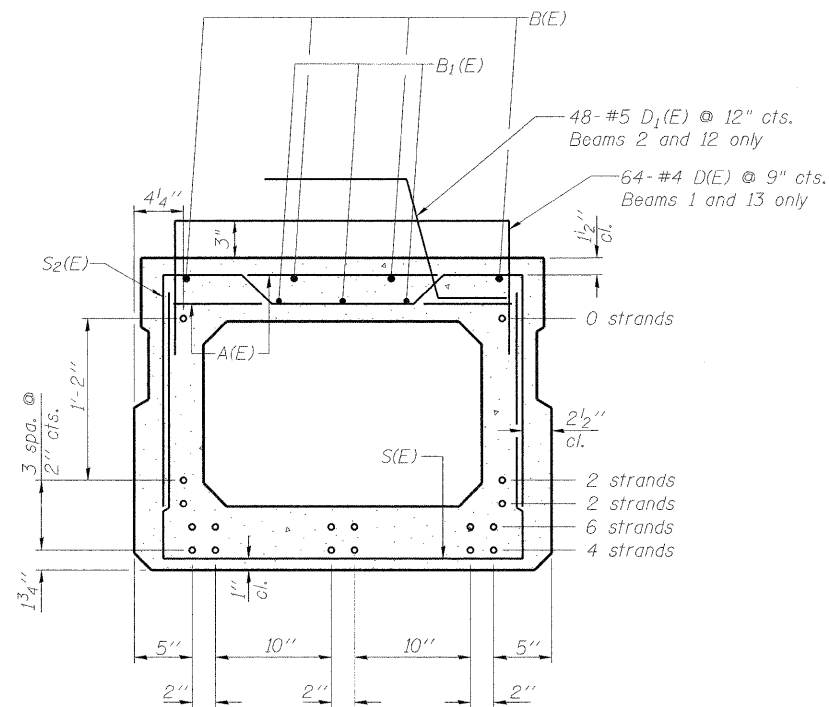
SECTION B-B
(Showing dimensions)



VIEW C-C



PLAN VIEW



SECTION B-B

(Showing reinforcement and permissible strand locations)
Note: Place the number of strands specified in each row symmetrically about the centerline of beam in the permissible strand locations shown.

**BAR LIST
ONE BEAM ONLY**
(For information only)

Bar	No.	Size	Length	Shape
A(E)	46	#4	2'-7"	—
B(E)	8	#5	25'-3"	—
B1(E)	6	#4	25'-0"	—
D(E)	64	#4	5'-1"	⌋
D1(E)	48	#5	2'-10"	⌋
S(E)	68	#4	6'-5"	⌋
S1(E)	10	#4	5'-11"	⌋
S2(E)	58	#4	6'-2"	⌋
U(E)	8	#5	4'-6"	⌋
U1(E)	4	#4	5'-0"	⌋

Note: See sheet S11 of 14 for additional details and Bill of Material.
* Beams 1 and 13 only
** Beams 2 and 12 only

MINIMUM BAR LAP

#4 bar = 2'-0"
#5 bar = 2'-6"

FILE NAME = g:\yrc\proj\202155_018\road\structure\01608014-60M80-010-Beam1.dgn



USER NAME = zsaigerb
PLOT SCALE = N/A
PLOT DATE = 10/14/2011

DESIGNED - BPS
CHECKED - BHS
DRAWN - BPS
CHECKED - GSP

REVISED -
REVISED -
REVISED -
REVISED -

STATE OF ILLINOIS
DEPARTMENT OF TRANSPORTATION

27" x 36" PPC DECK BEAM
S.N. 016-0814

SHEET NO. S10 OF 14 SHEETS

F.A.U. RTE.	SECTION	COUNTY	TOTAL SHEETS	SHEET NO.
2760	100-B-1	COOK	28	20
				CONTRACT NO. 60M80
ILLINOIS FED. AID PROJECT				