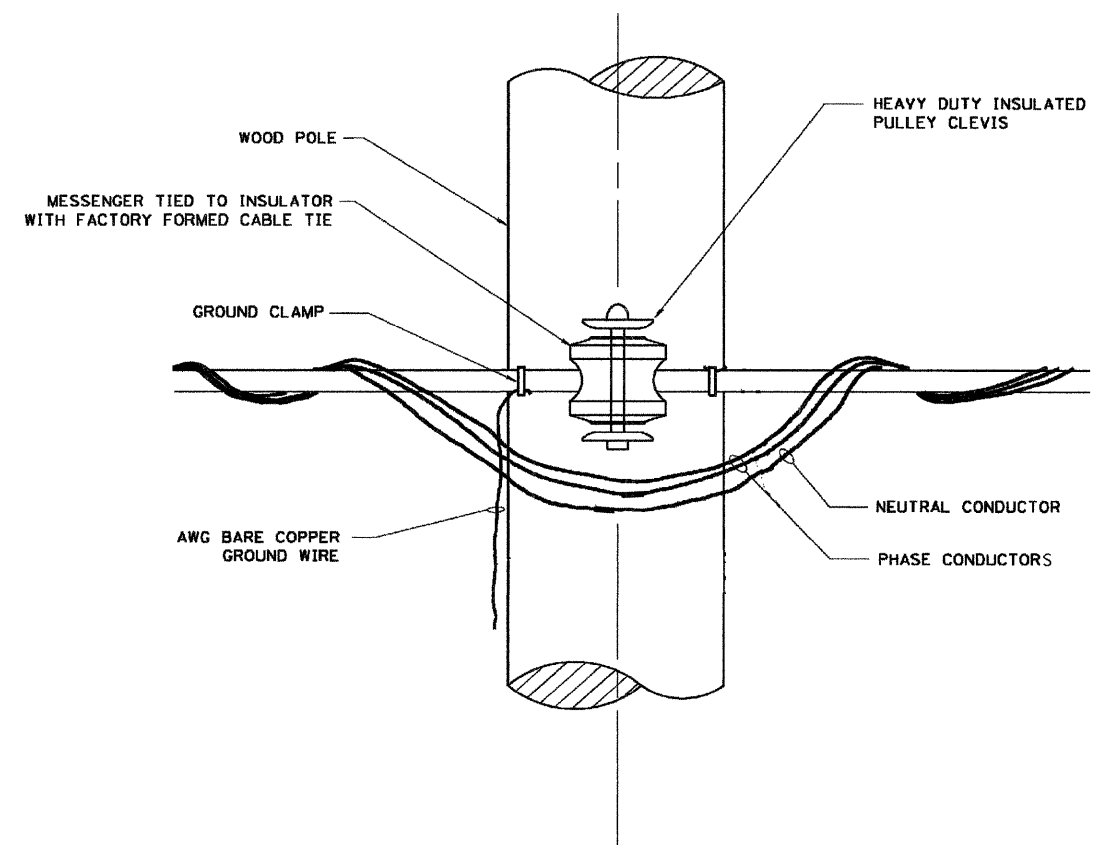


TEMPORARY WOOD POLE DETAIL



TEMPORARY WOOD POLE ATTACHMENT DETAIL

\\svr-202-public\p\0002398.dwg Design:Lighting\Deon\13\0398_06-11\light.dwg

ENGINEERING CONSULTANT CONSULTING ENGINEERS 5907 North Cumberland Avenue, Suite 402 Chicago, Illinois 60630 Tel: 773.776.4000 Fax: 773.776.4914 Email: ciorba@ciorba.com	USER NAME = w Lancaster	DESIGNED - JMV	REVISED - 10/5/2011	STATE OF ILLINOIS DEPARTMENT OF TRANSPORTATION	ILL. 50 OVER THE CAL SAG CHANNEL STRUCTURE NO. 016-0421 TEMPORARY WOOD POLE DETAILS	F.A.P. RTE.	SECTION	COUNTY	TOTAL SHEETS	SHEET NO.	
	PLOT SCALE = 2.0000' / IN. PLOT DATE = 10/5/2011	DRAWN - JMK CHECKED - JMV DATE - 9/2/11	REVISED - ADDENDUM #1 REVISED - REVISED -			350	3068 A-B-R-1	COOK	57	19	
						CONTRACT NO. 60N88		ILLINOIS FED. AID PROJECT			
SCALE:						SHEET NO.	OF SHEETS	STA.	TO STA.		