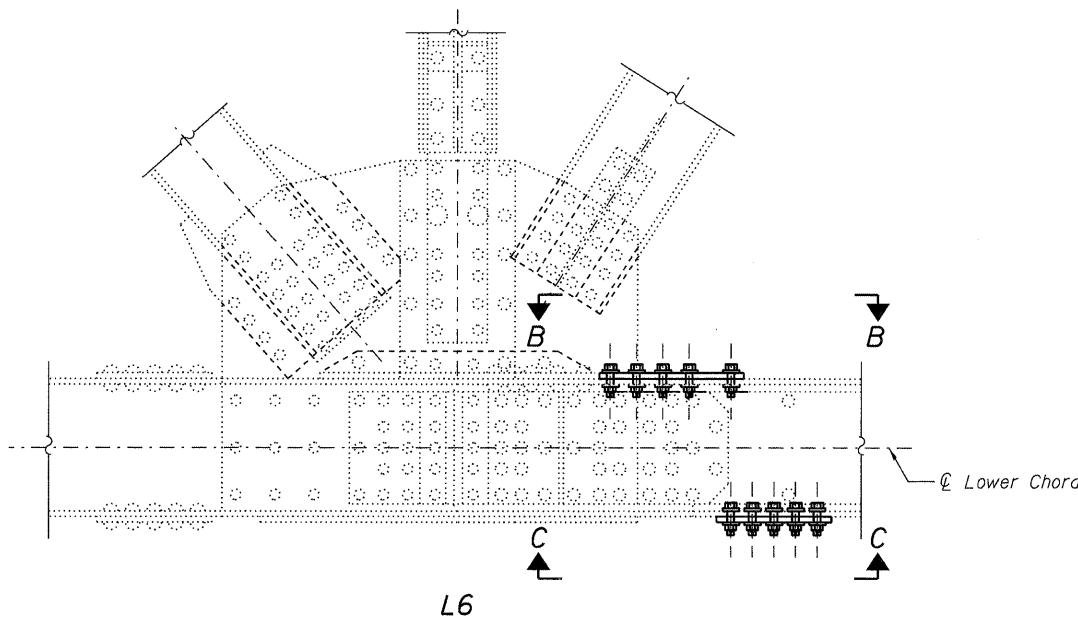
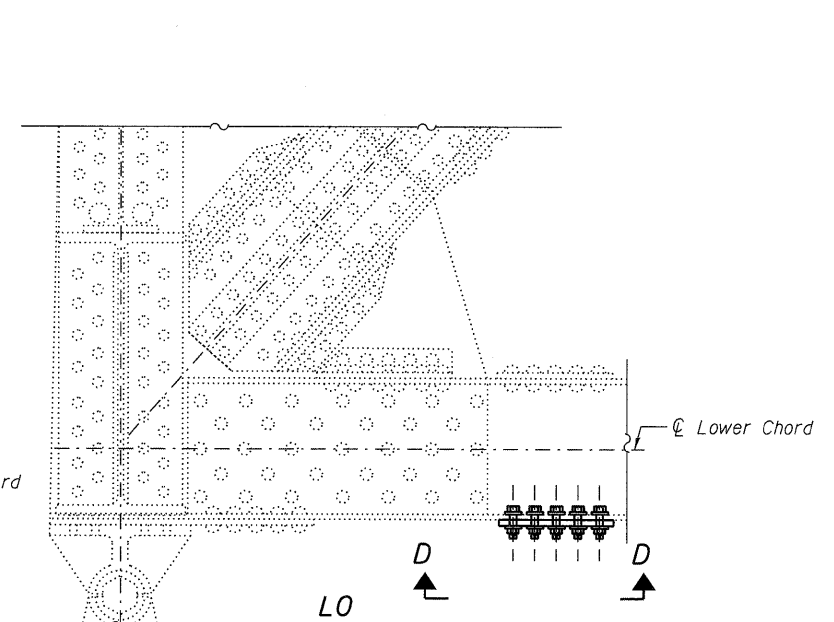


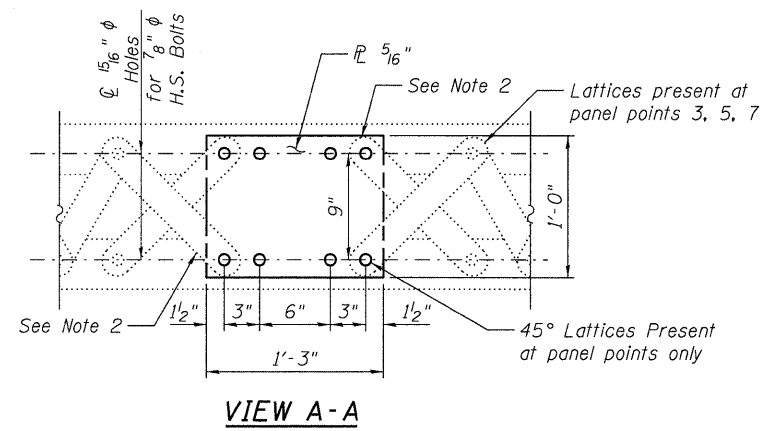
DETAIL 4 - STAY PLATE AT PANEL POINT
(L5, L7 similar)



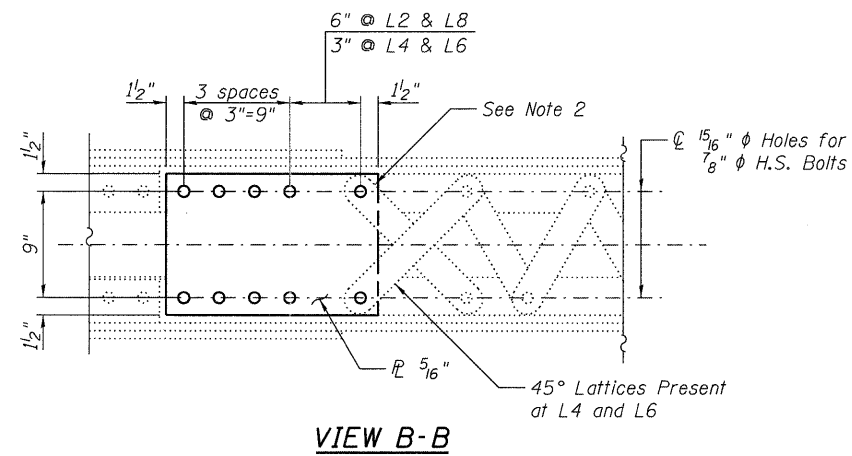
DETAIL 5 - STAY PLATE AT PANEL POINT
(L8 similar)



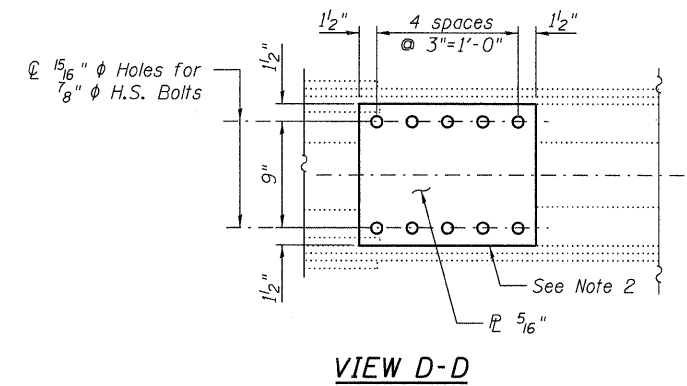
DETAIL 6 - STAY PLATE AT PANEL POINT



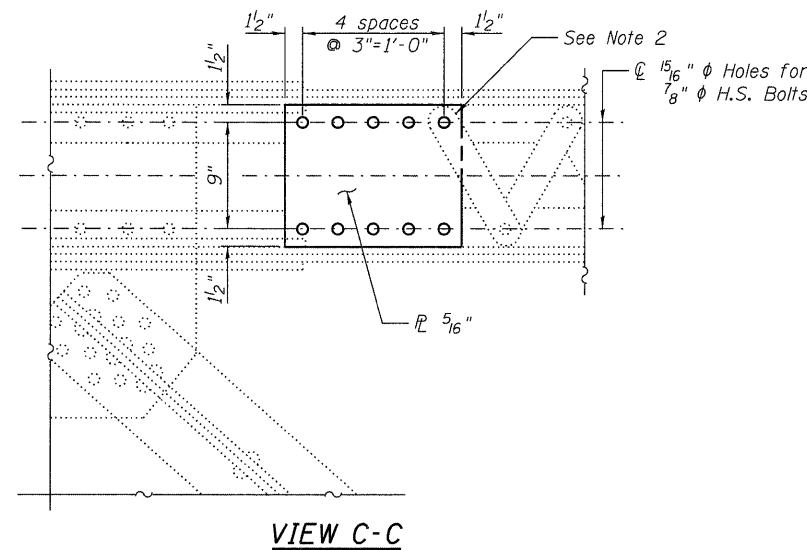
VIEW A-A



VIEW B-B



VIEW D-D



VIEW C-C

NOTES:

- All dimensions shall be verified in the field before ordering stay plates.
- All plate replacements shown are "in-kind". Existing plates to be removed and replaced, not shown for clarity.
- Remove the stay plates and existing 7/8" ϕ rivets from the surface of the channel flange. Existing rivets which are adjacent to lacing bars to remain in place shall not be burned off. Existing rivets which are adjacent to lacing bars to be removed may be burned off. All rivet removal shall follow Structural Steel Repair Special Provision.
- Repairs should include but not be limited to the areas shown. The actual areas to be determined by the Engineer at the time of construction.
- Cost of materials, drilling holes, and removing rivets to make structural steel repairs are included in the cost of "Structural Steel Repair".

**PANEL POINT
STAY PLATES TO BE REPLACED**

PANEL POINT	TOP/BOTTOM	DETAIL
L0E	Bottom	6
L3E	TOP	4
L5E	TOP	4
L6W	BOTTOM	5
L7E	TOP	4
L8E	TOP	5
L8W	BOTTOM	5

N:\PROJ\03398.00\Design\Structural\CAD\03398.00_11_Steel Repairs II.dgn