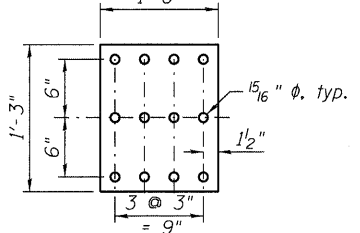
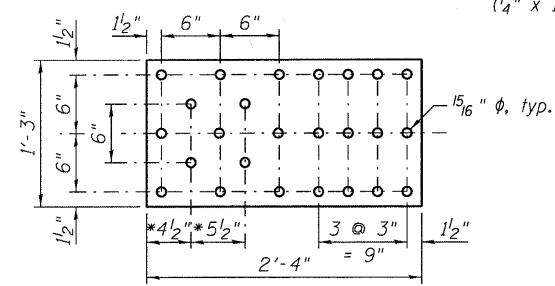


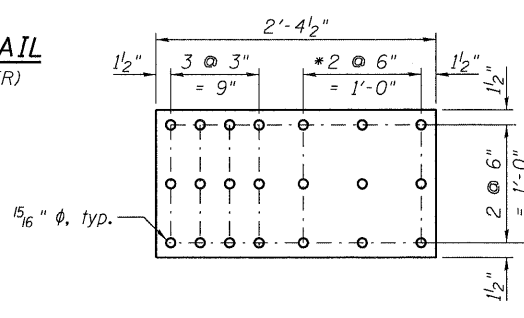
LO/L10
Remove existing rivets and replace with 7/8" ϕ H.S. Bolts. Remove one rivet at a time from holes and place a 7/8" ϕ H.S. Bolt in the hole and hand tighten the nut. After all the specified rivets have been removed, the nuts can be removed keeping the Bolts in place, plate installed and the nuts reinstalled, typ. at L2/L8. Cost included with "Structural Steel Repair".



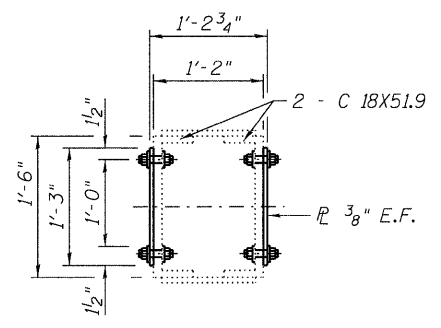
FILL PLATE DETAIL
(1/4" x 1'-3" x 1'-0") (NTR)
(16 required)



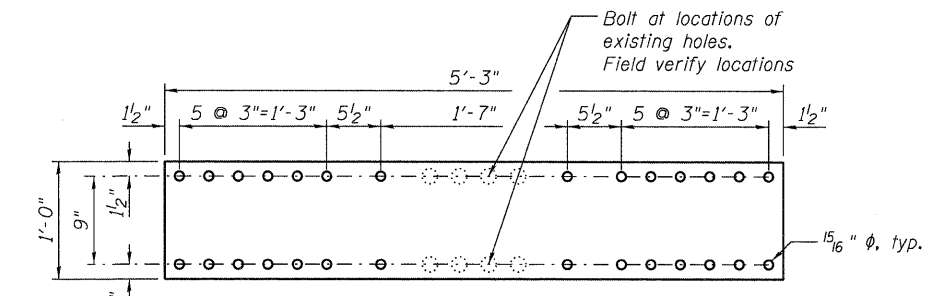
SPlice PLATE DETAIL AT LO/L10 (E/W)
(1/2" x 1'-3" x 2'-4" Grade 50) (NTR)
(8 required)



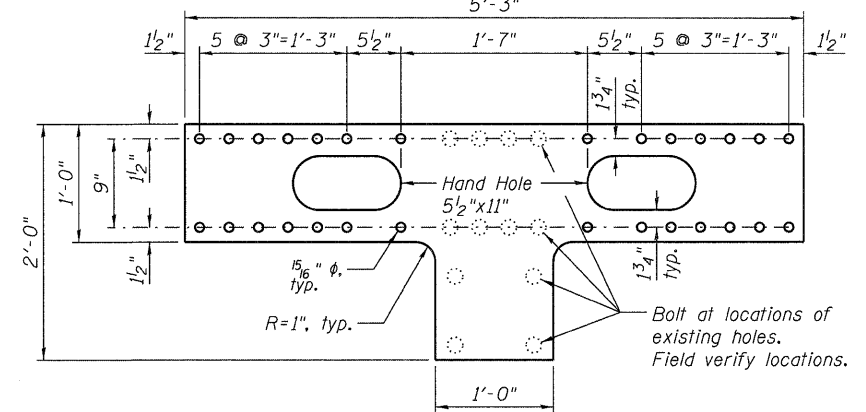
SPlice PLATE DETAIL AT L2/L8 (E/W)
(1/2" x 1'-3" x 2'-4 1/2" Grade 50) (NTR)
(8 required)



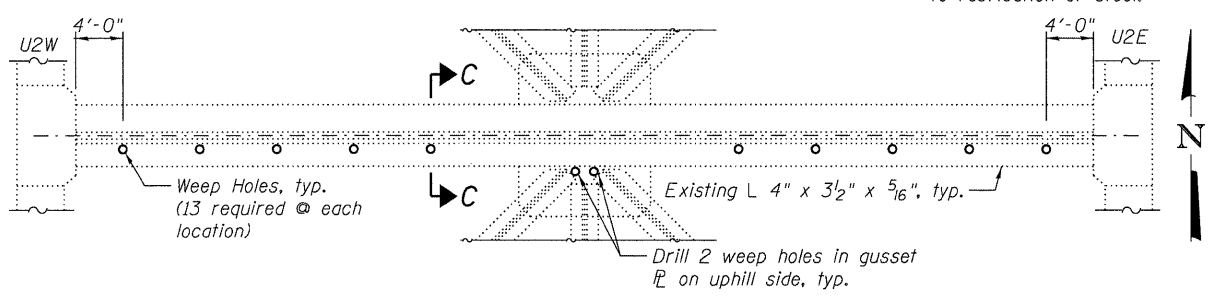
SECTION A-A



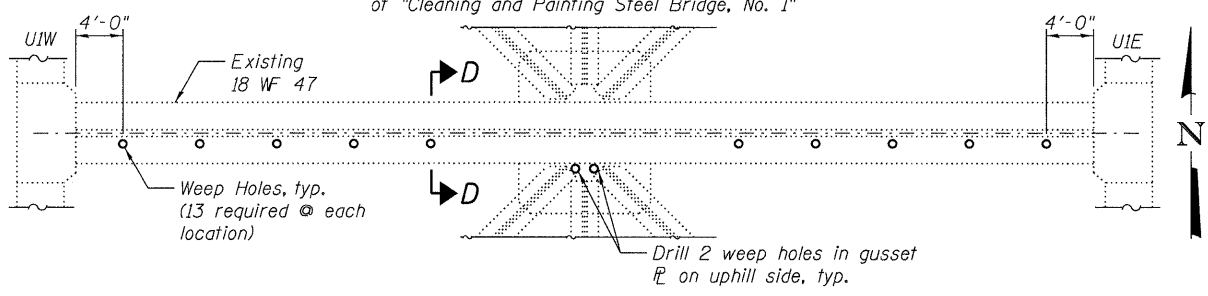
LOWER CHORD TOP COVER PLATE DETAIL AT L1/L9 (E/W)
(3/8" x 1'-0" x 5'-3" Grade 50) (NTR)
(4 required)



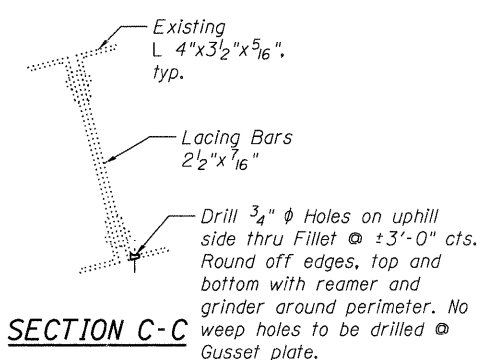
LOWER CHORD BOTTOM COVER PLATE DETAIL AT L1/L9 (E/W)
(3/8" x 2'-0" x 5'-3" Grade 50) (NTR)
(4 required)



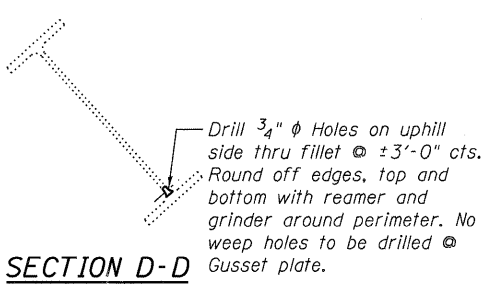
WEEP HOLE DETAIL
U2W - U2E shown,
UBW - UBE similar
Cost of weep holes included in cost of "Cleaning and Painting Steel Bridge, No. 1"



WEEP HOLE DETAIL
UIW - UIE shown,
U9W - U9E similar
Cost of weep holes included in cost of "Cleaning and Painting Steel Bridge, No. 1"



SECTION C-C



SECTION D-D

- NOTES:**
- Cost of materials, drilling holes and removing rivets to make structural steel repairs are included in the pay item for "Structural Steel Repair".
 - All dimensions shall be verified in the field before ordering materials and fabrication.
 - Field drill holes in existing chord based on template of Side Cover Plate. Holes drilled in existing lower chord should be staggered so that at no time two holes will line up vertically. When enough holes have been drilled to support the proposed cover plate, the cover plate shall be installed and the remaining holes drilled using the cover plate as a template.
 - Load carrying components designated "NTR" shall conform to the Supplemental Requirements of Notch Toughness Zone 2.

- LEGEND**
- Existing Rivet to Remain
 - New 7/8" ϕ H.S. Bolt in 15/16" ϕ Hole. Use new plates as templates for drilling.
 - New Member
 - Existing Member to Remain
 - E.F. Each Face

No. PR01.03398.00\Design\Structural\CAD\03398.00_13_Steel Repairs IV.dgn

<p>Clorba Group, Inc. CONSULTING ENGINEERS 6507 North Commercial Avenue Suite 402 - Chicago, Illinois 60656 Tel: 773.772.4014 Fax: 773.772.4014</p>	USER NAME = ekhan PLOT SCALE = 2x0 1/4" = 1"	DESIGNED - BWS CHECKED - DL DRAWN - RD CHECKED - DL	REVISED - REVISED - REVISED - REVISED -	STATE OF ILLINOIS DEPARTMENT OF TRANSPORTATION	STEEL REPAIRS IV STRUCTURE NO. 016-0421 SHEET NO. S-13 OF S-27 SHEETS	F.A.P. RTE. 350	SECTION 3068 A-B-R-1	COUNTY COOK	TOTAL SHEETS 57	SHEET NO. 36
	PLOT DATE = 9/9/2011		CONTRACT NO. 60N88			ILLINOIS FED. AID PROJECT				