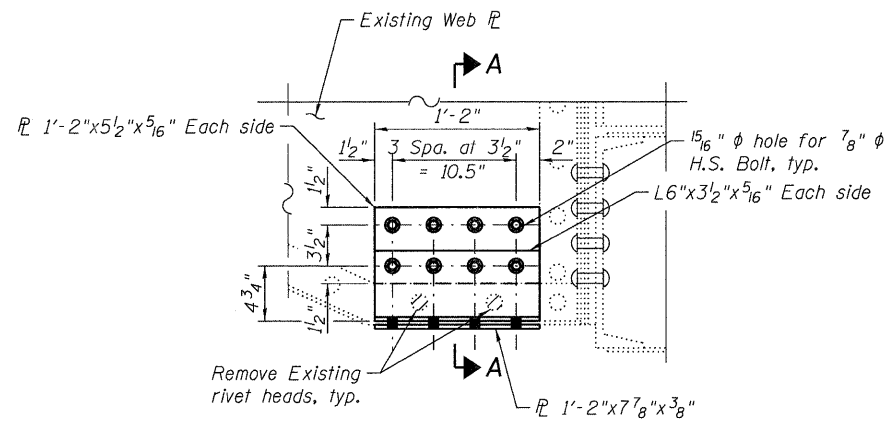


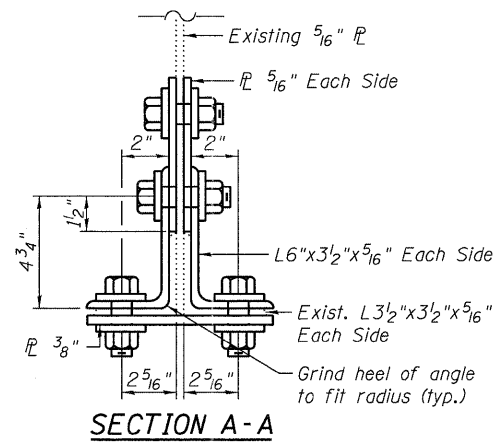
SIDEWALK BRACKET REPAIR - DETAIL 1

Location L9E



SIDEWALK BRACKET REPAIR - DETAIL 2

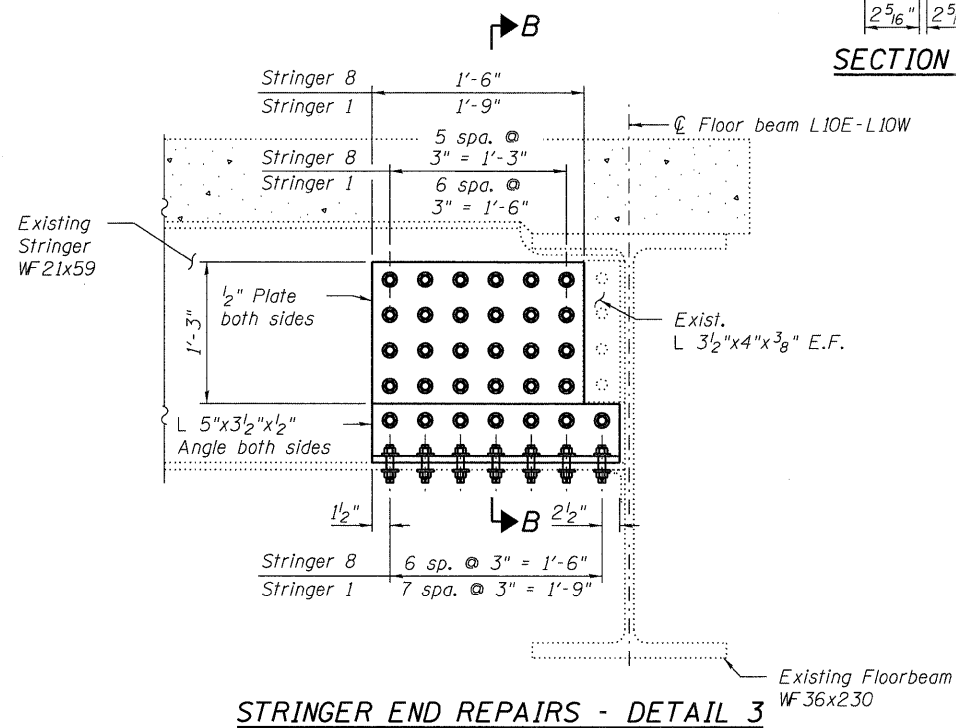
Locations L3E, L6E, L7E, L8E, L3W, L4W



SECTION A-A

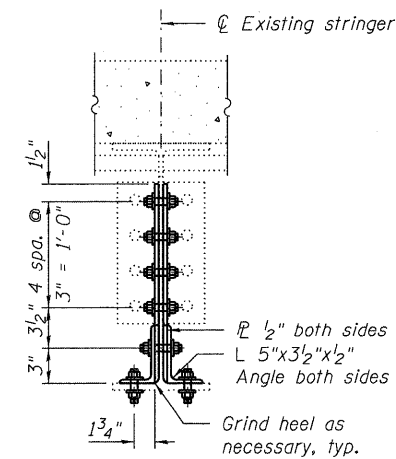
LEGEND:

- ⊙ Existing Rivet to Remain
- Existing Rivet to be Removed and Replaced with 7/8" ϕ H.S. Bolts
- ⦿ New 7/8" ϕ H.S. Bolt in 5/16" Hole. Use new plates as template for drilling.



STRINGER END REPAIRS - DETAIL 3

Field Drill Holes in stringer using holes in plates as templates



SECTION B-B

No. PR01\03398.00\Design\Structure1\CAD\03398.00_15_Steel Repairs_V1.dgn



USER NAME = akhan	DESIGNED - AMK	REVISED -
PLOT SCALE = 1/8" = 1' / in.	CHECKED - DL	REVISED -
PLOT DATE = 9/9/2011	DRAWN - LVH	REVISED -
	CHECKED - SCD	REVISED -

**STATE OF ILLINOIS
DEPARTMENT OF TRANSPORTATION**

**STEEL REPAIRS VI
STRUCTURE NO. 016-0421**

SHEET NO. 5-15 OF 5-27 SHEETS

F.A.P. RTE.	SECTION	COUNTY	TOTAL SHEETS	SHEET NO.
350	3068 A-B-R-1	COOK	57	38
CONTRACT NO.			60N88	
ILLINOIS FED. AID PROJECT				