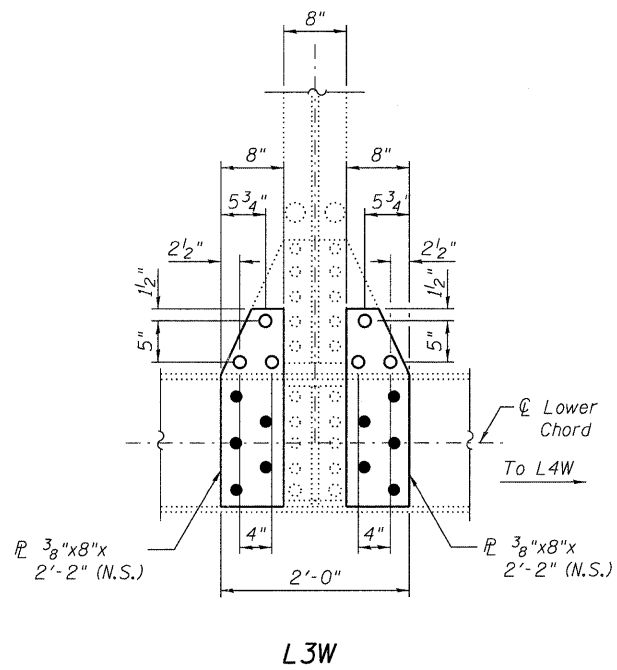
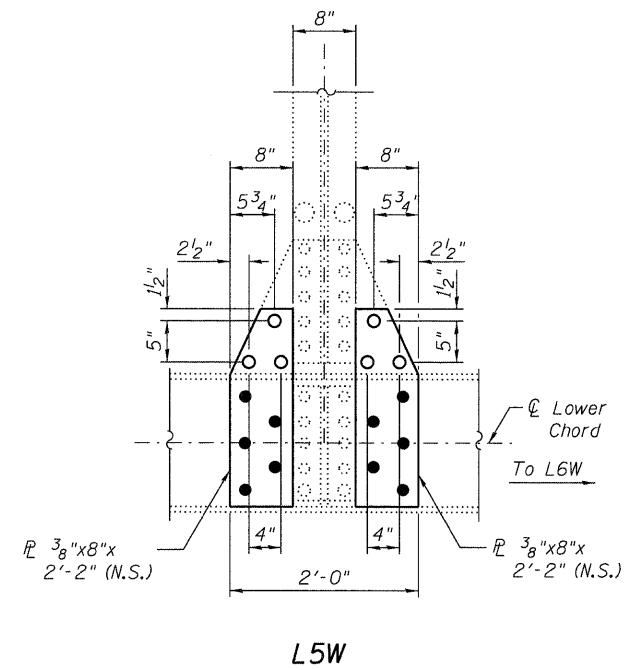


LIW
WEST GUSSET P ELEVATION - PROPOSED
AT JOINT LIW
WEST TRUSS
 (Looking East)

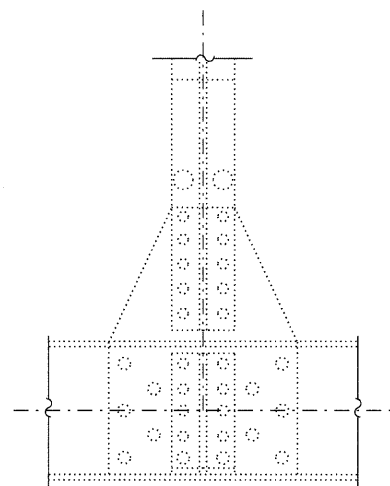


L3W
WEST GUSSET P ELEVATION - PROPOSED
AT JOINT L3W
WEST TRUSS
 (Looking East)

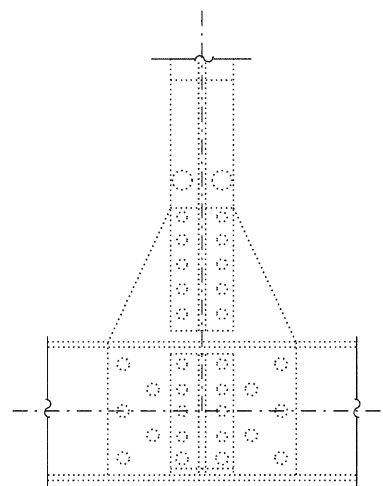


L5W
WEST GUSSET P ELEVATION - PROPOSED
AT JOINT L5W
WEST TRUSS
 (Looking East)

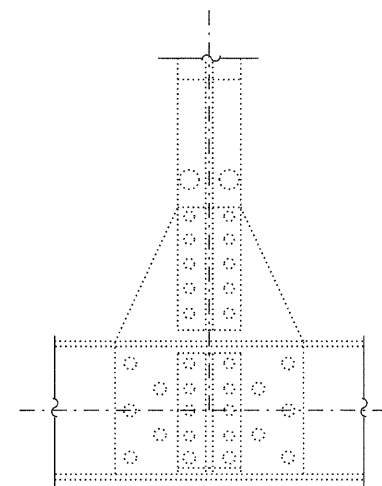
Note:
 For Repair Notes and Legend see Sheet S-17.



LIW
WEST GUSSET P ELEVATION - EXISTING
AT JOINT LIW
WEST TRUSS
 (Looking East)



L3W
WEST GUSSET P ELEVATION - EXISTING
AT JOINT L3W
WEST TRUSS
 (Looking East)



L5W
WEST GUSSET P ELEVATION - EXISTING
AT JOINT L5W
WEST TRUSS
 (Looking East)

N:\PROJ\03398\00\Design\Structural\CAD\03398\00_19_Steel Repairs X.dgn



USER NAME = akhan	DESIGNED - DL	REVISED -
	CHECKED - BWS	REVISED -
PLOT SCALE = 1.000000' / in.	DRAWN - RD	REVISED -
PLOT DATE = 9/9/2011	CHECKED - BWS	REVISED -

STATE OF ILLINOIS
DEPARTMENT OF TRANSPORTATION

STEEL REPAIRS X
STRUCTURE NO. 016-0421

SHEET NO. S-19 OF S-27 SHEETS

F.A.P. RTE. 350	SECTION 3068 A-B-R-1	COUNTY COOK	TOTAL SHEETS 57	SHEET NO. 42
CONTRACT NO. 60N88			ILLINOIS FED. AID PROJECT	