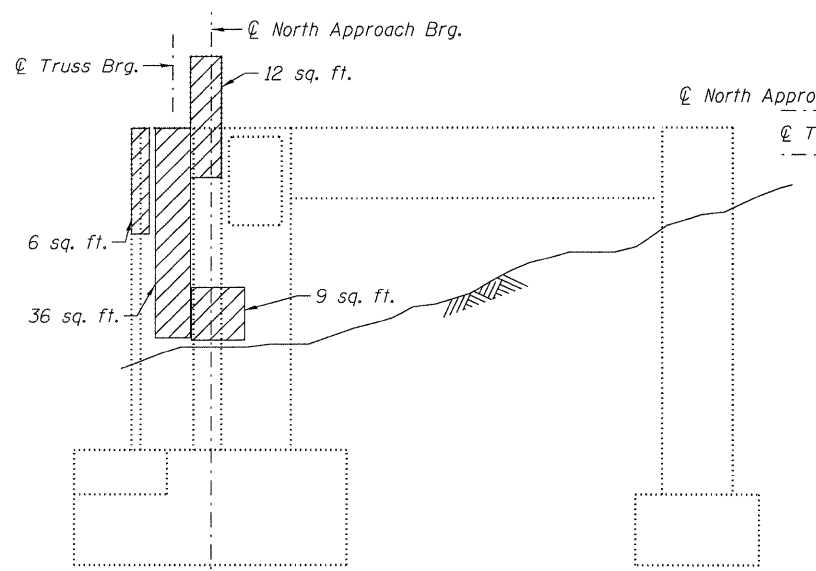
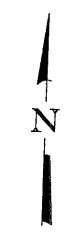
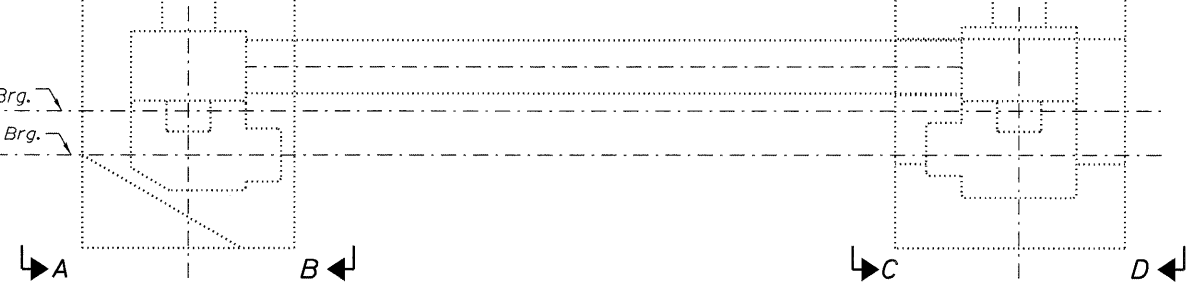


NOTES:

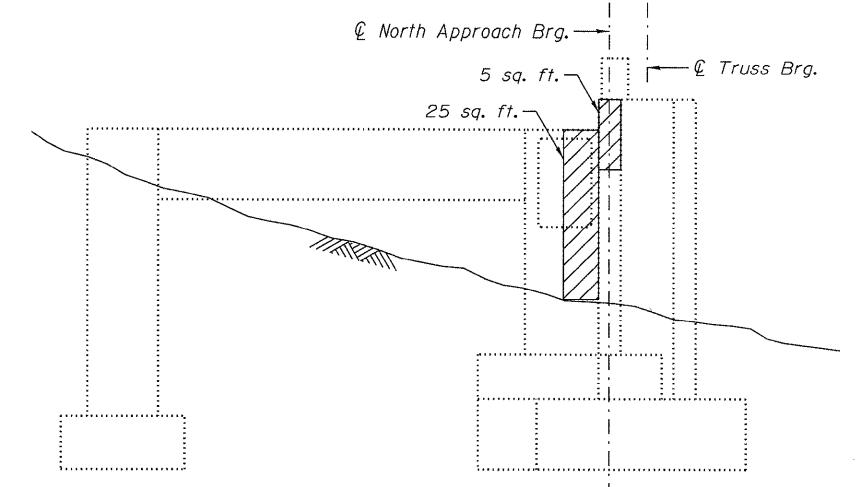
1. There will be no structural repair of concrete performed on areas of the pier not directly supporting the superstructure.
2. Concrete Sealer shall be applied to all structural repair of concrete on the bearing seats.
3. Concrete repairs on the piers should match the same finish as the existing piers.
4. Repairs of the existing piers shall include but may not be limited to the areas shown. The actual areas to be repaired will be determined by the Engineer at the time of construction.



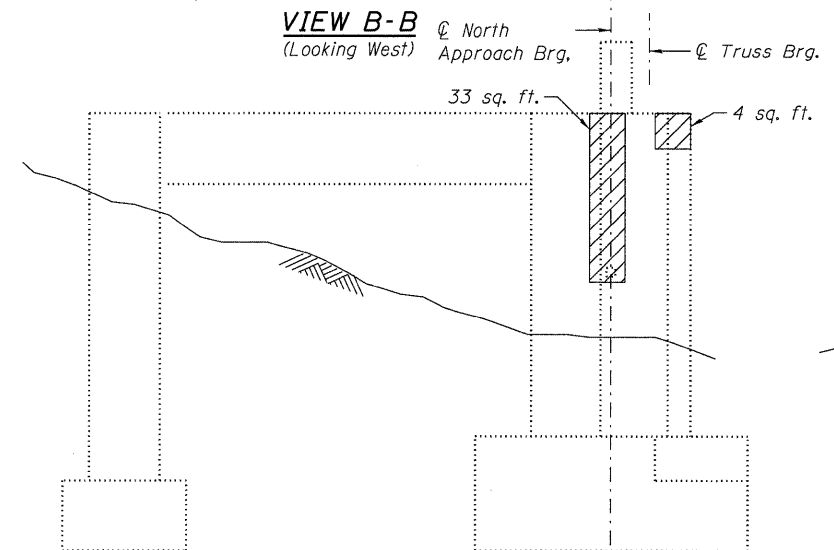
VIEW B-B
(Looking West)



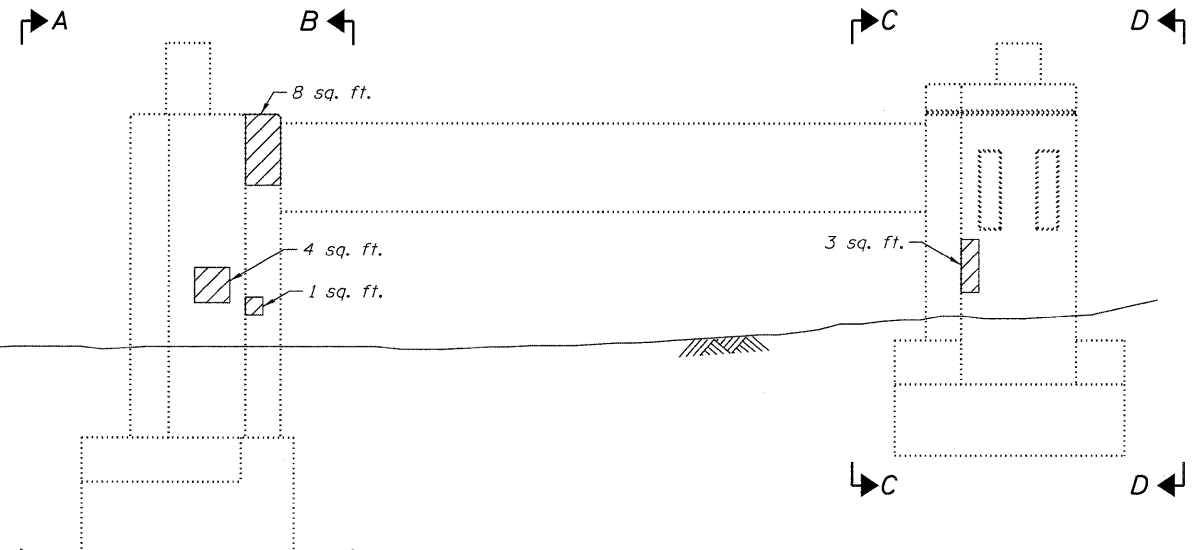
PLAN



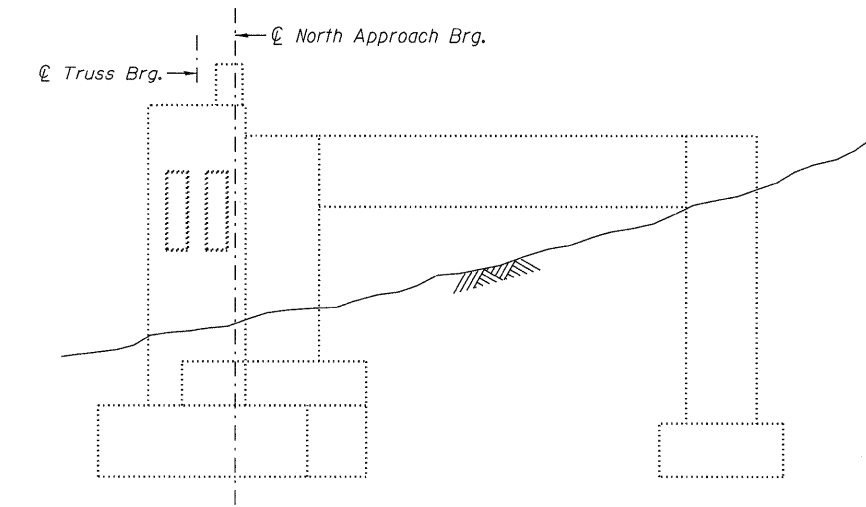
VIEW D-D
(Looking West)



VIEW A-A
(Looking East)



ELEVATION
(Looking North)



VIEW C-C
(Looking East)

LEGEND

Structural Repair of Concrete
(Depth Equal to or Less than 5 inches)

BILL OF MATERIAL

ITEM	UNIT	TOTAL
Structural Repair of Concrete (Depth Equal to or Less than 5 inches)	Sq. Ft.	146
Concrete Sealer	Sq. Ft.	12

N:\PROJECTS\03398\00\Design\Structure\03398_00_23_Pier_1_Repairs.dgn

Clorba Group, Inc.
CONSULTING ENGINEERS
607 North Cass Street
Suite 202 Chicago, Illinois 60606
Tel: 312.774.4814
Fax: 312.774.4814
Email: clorba@clorba.com

USER NAME = akhan	DESIGNED - BWS	REVISED -
PLOT SCALE = 5/4" = 1"	CHECKED - AMK	REVISED -
PLOT DATE = 9/9/2011	DRAWN - RD	REVISED -
	CHECKED - AMK	REVISED -

STATE OF ILLINOIS
DEPARTMENT OF TRANSPORTATION

PIER 1 REPAIRS
STRUCTURE NO. 016-0421
SHEET NO. S-23 OF S-27 SHEETS

F.A.P. RTE.	SECTION	COUNTY	TOTAL SHEETS	SHEET NO.
350	3068 A-B-R-1	COOK	57	46
CONTRACT NO.			60N88	
ILLINOIS FED. AID PROJECT				