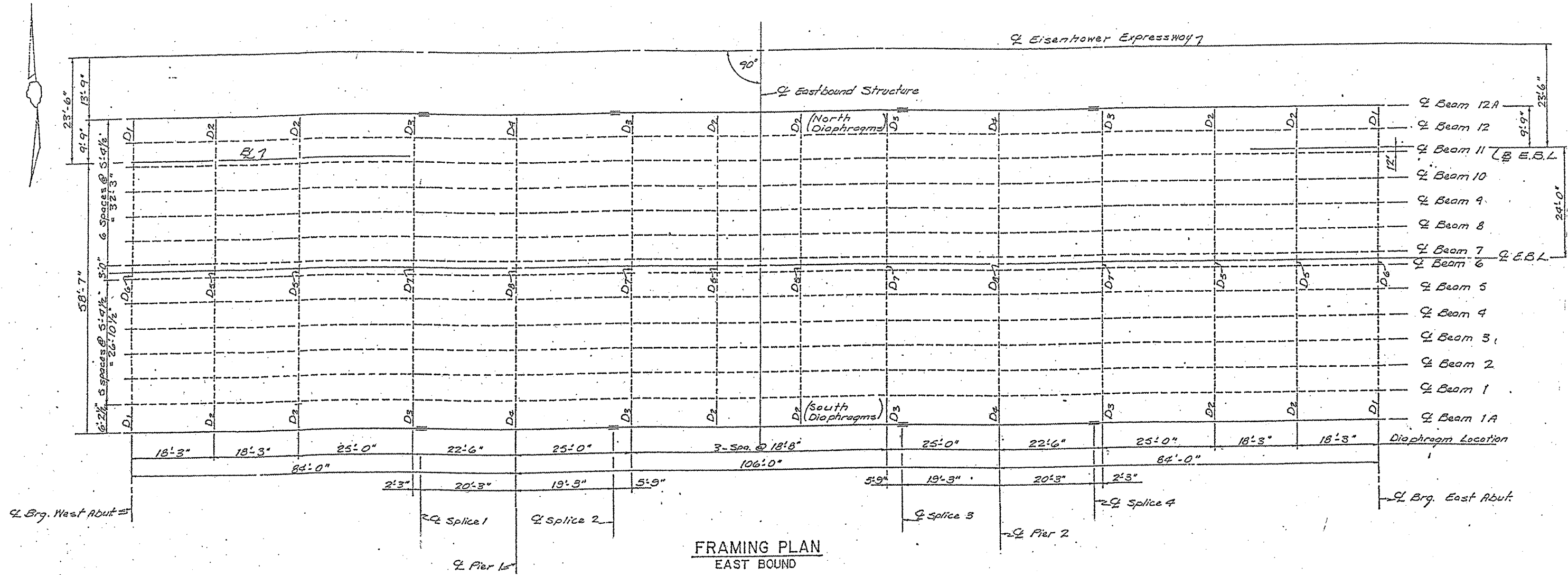


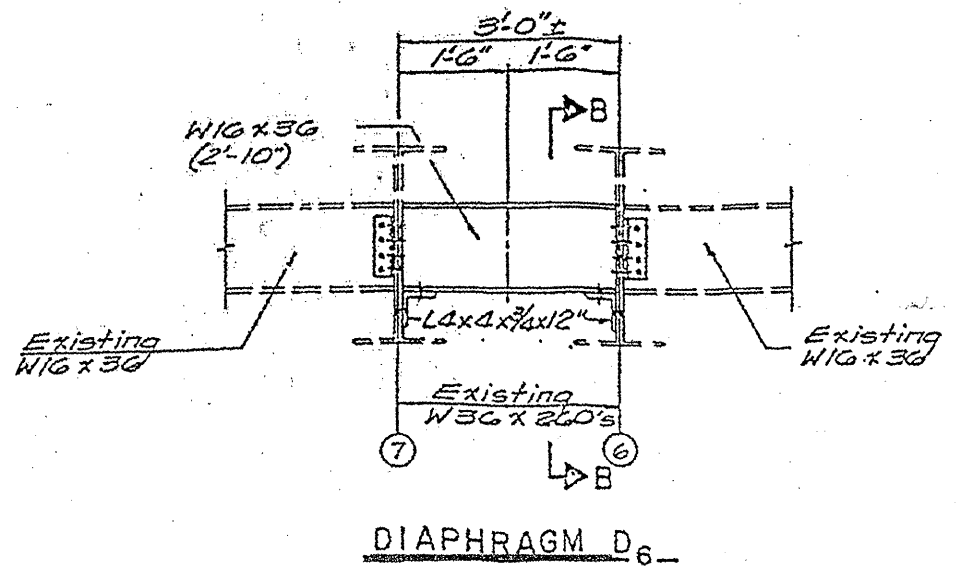
ROUTE	SECTION	COUNTY	TOTAL SHEETS	SHEET NUMBER
FAI 290	2011-047-BP	COOK	31	22

CONTRACT NO. 60P57



FRAMING PLAN
EAST BOUND

ALL BEAMS ARE W36x260



DIAPHRAGM D6

FOR INFORMATION ONLY

SHEET 2 OF 5

ILLINOIS DEPARTMENT OF
TRANSPORTATION

EXISTING BRIDGE PLAN
SN 016-0094 (BRIDGE 5)