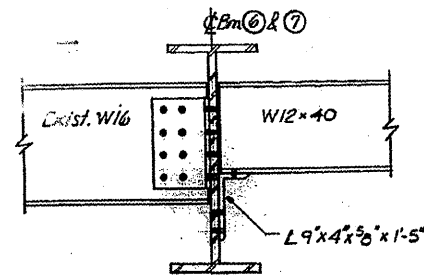
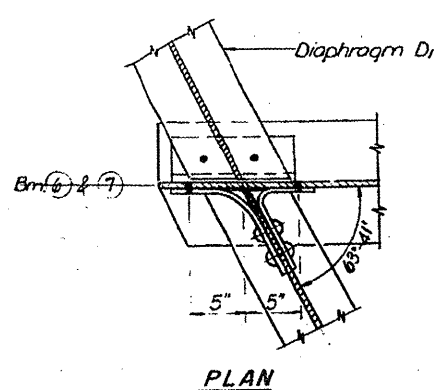
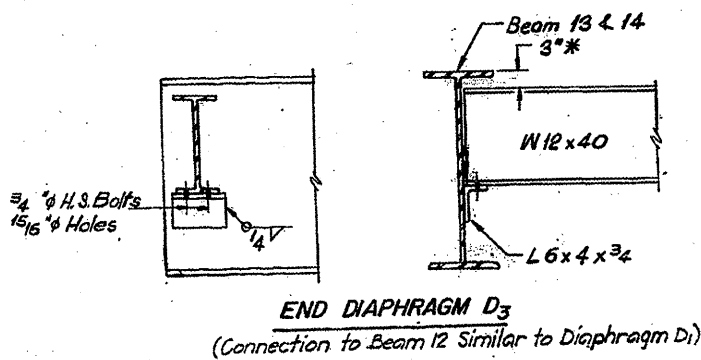
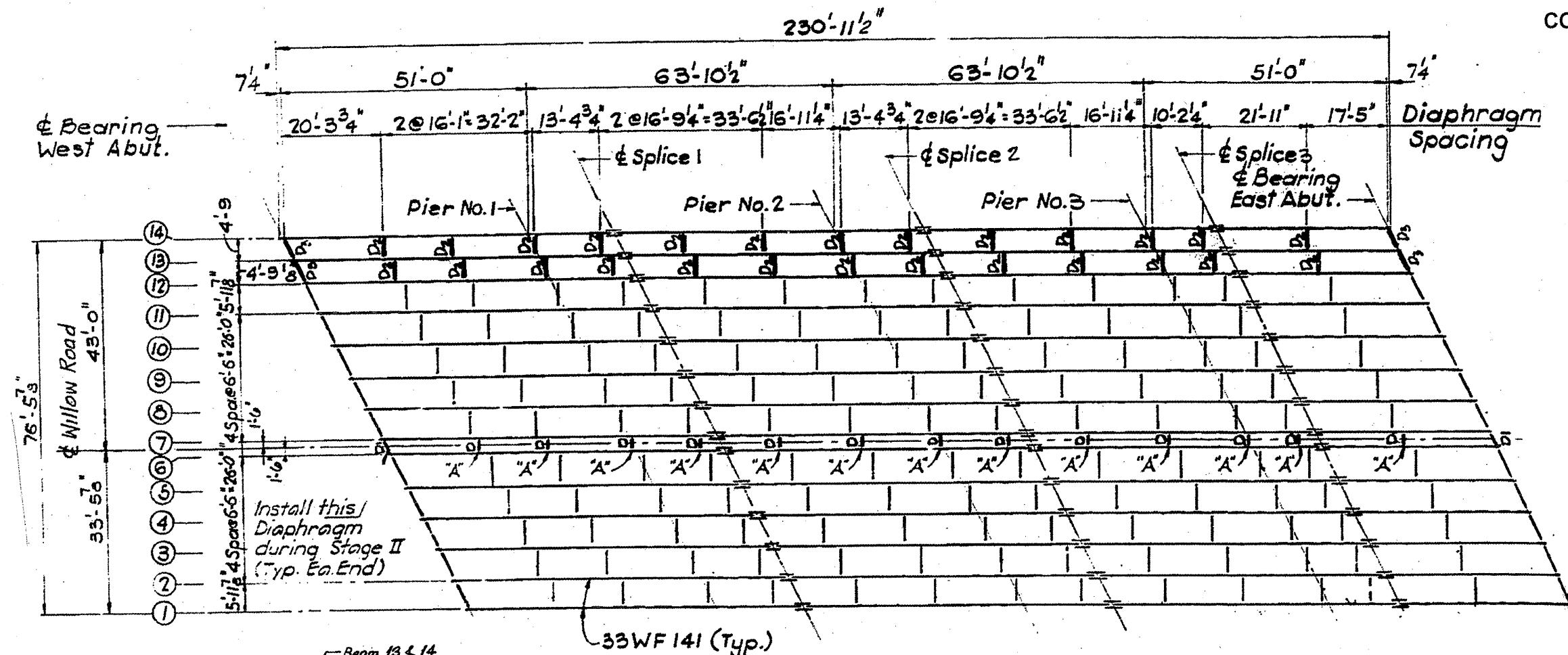


ROUTE	SECTION	COUNTY	TOTAL SHEETS	SHEET NUMBER
VARIOUS	2001-048-BP	COOK & LAKE	20	9

CONTRACT NO. 60P58

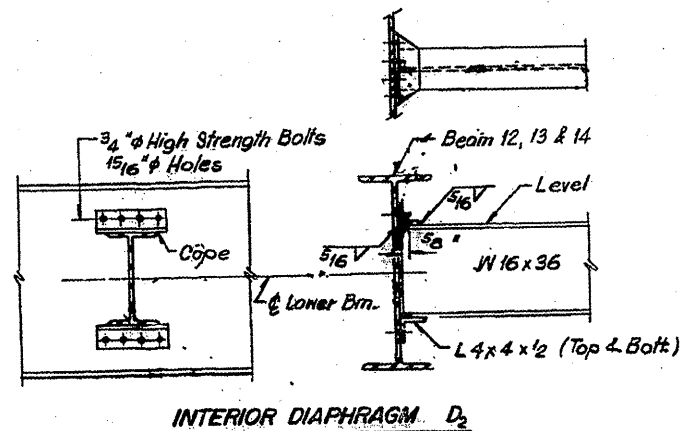


DETAIL OF CONNECTION - D₁ DIAPHRAGM

FRAMING PLAN
(All Beams Existing Except (13) & (14))

DIAPHRAGMS: ALL DIAPHRAGMS ARE W16x36 EXCEPT FOR:
 D₁ (section A) = W12x40
 D₃ = W12x40

BEAMS: ALL BEAMS ARE 33 WF 141



FOR INFORMATION ONLY

ILLINOIS DEPARTMENT OF
TRANSPORTATION

EXISTING BRIDGE PLAN

LOCATION 1: SN 016-0536
Willow Rd at I-94 (Edens Expy)