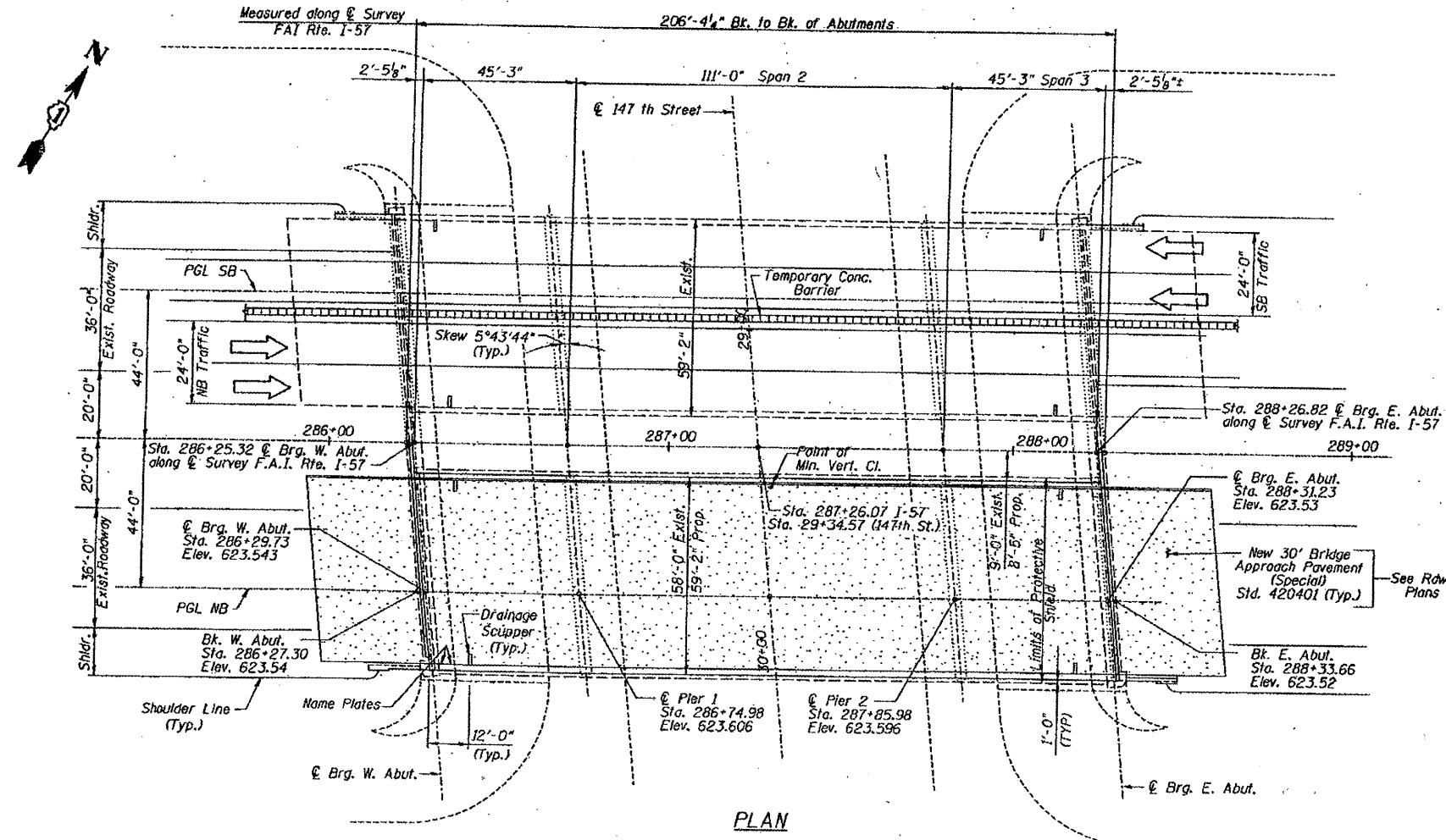
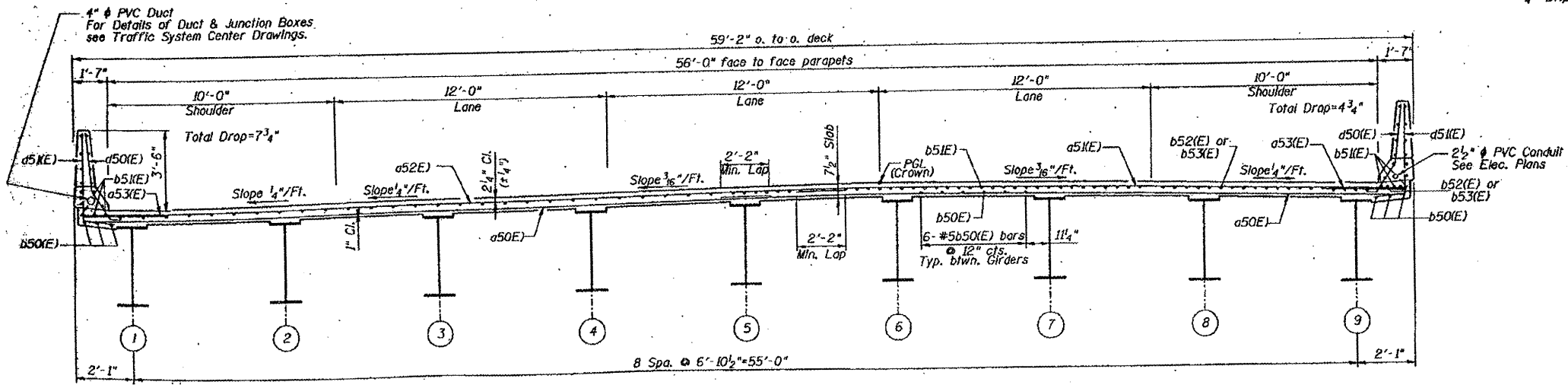
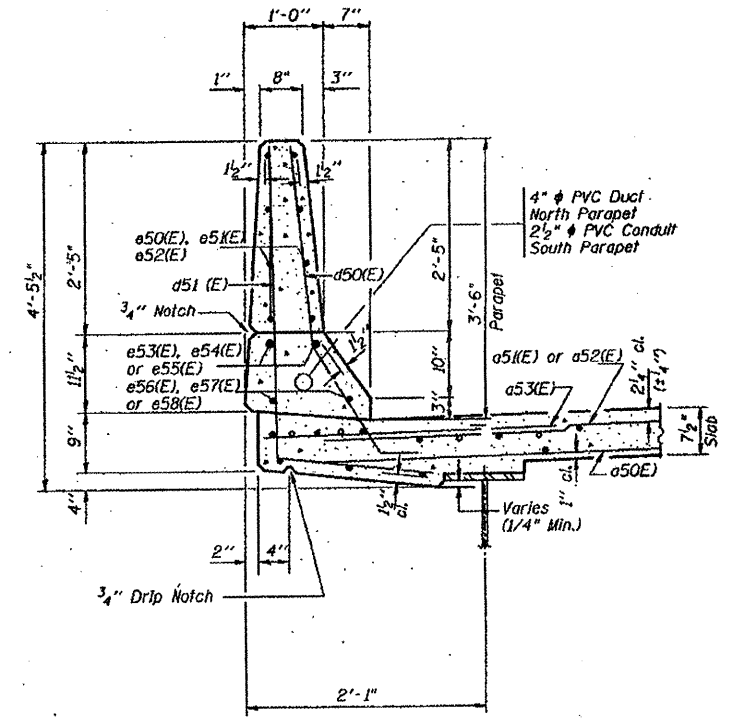


ROUTE	SECTION	COUNTY	TOTAL SHEETS	SHEET NUMBER
FAI 57	2011-052-1	COOK	44	20

CONTRACT NO. 60P62



PLAN



CROSS SECTION (Looking East)

FOR INFORMATION ONLY

ILLINOIS DEPARTMENT OF TRANSPORTATION

EXISTING PLANS
LOCATION 7 (SN 016-0054)
I-57 NB over IL-83 (147th St.)