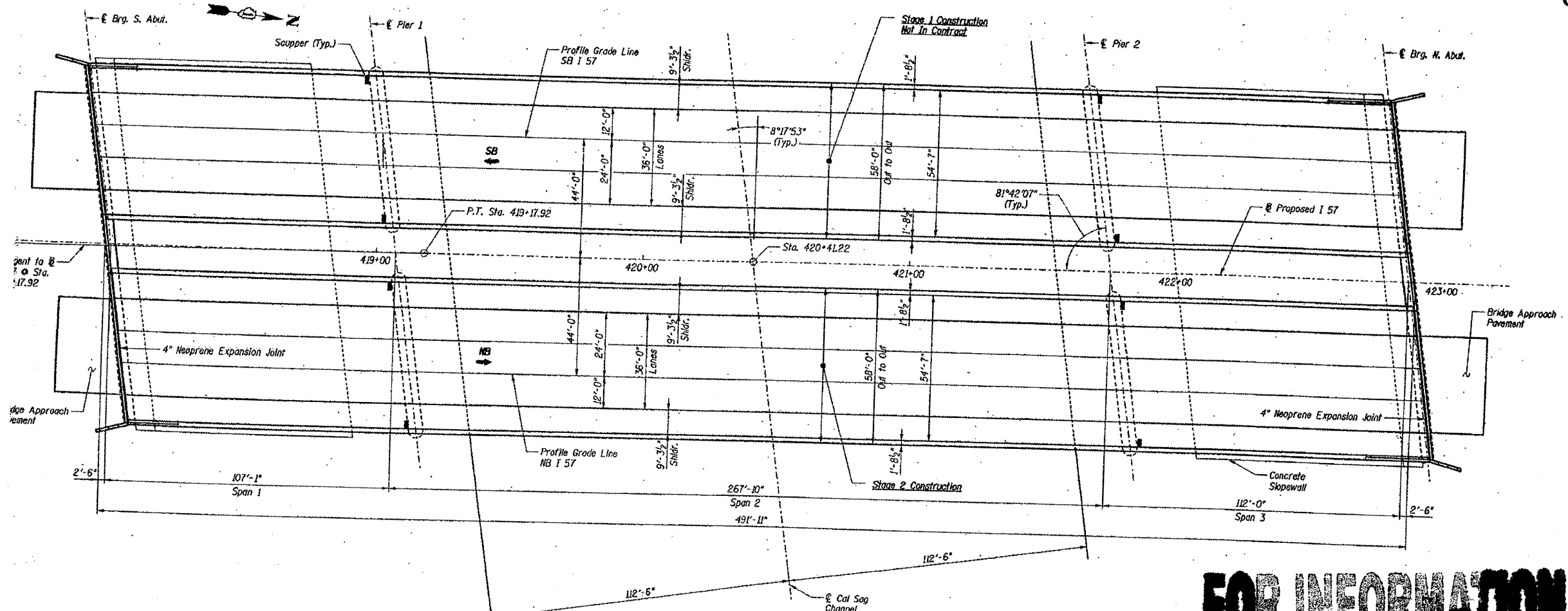
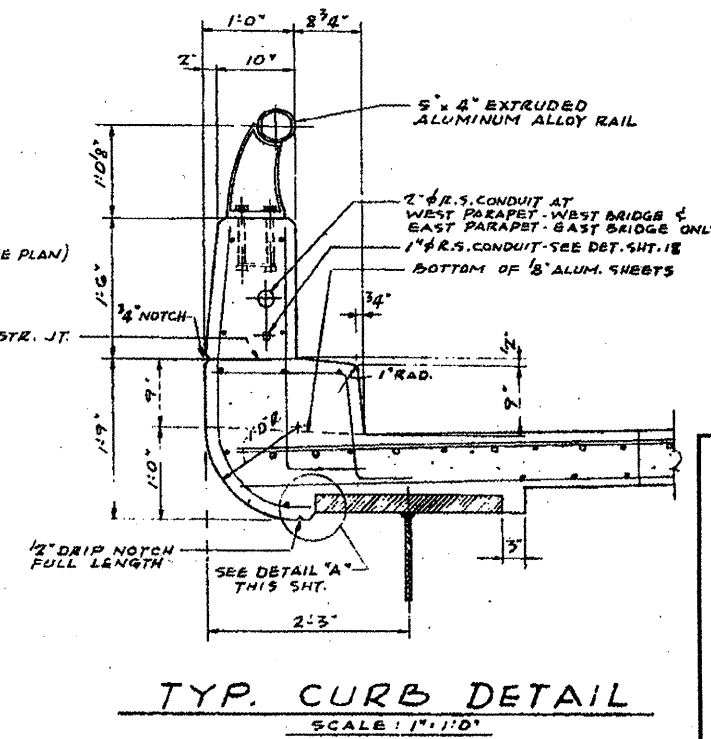
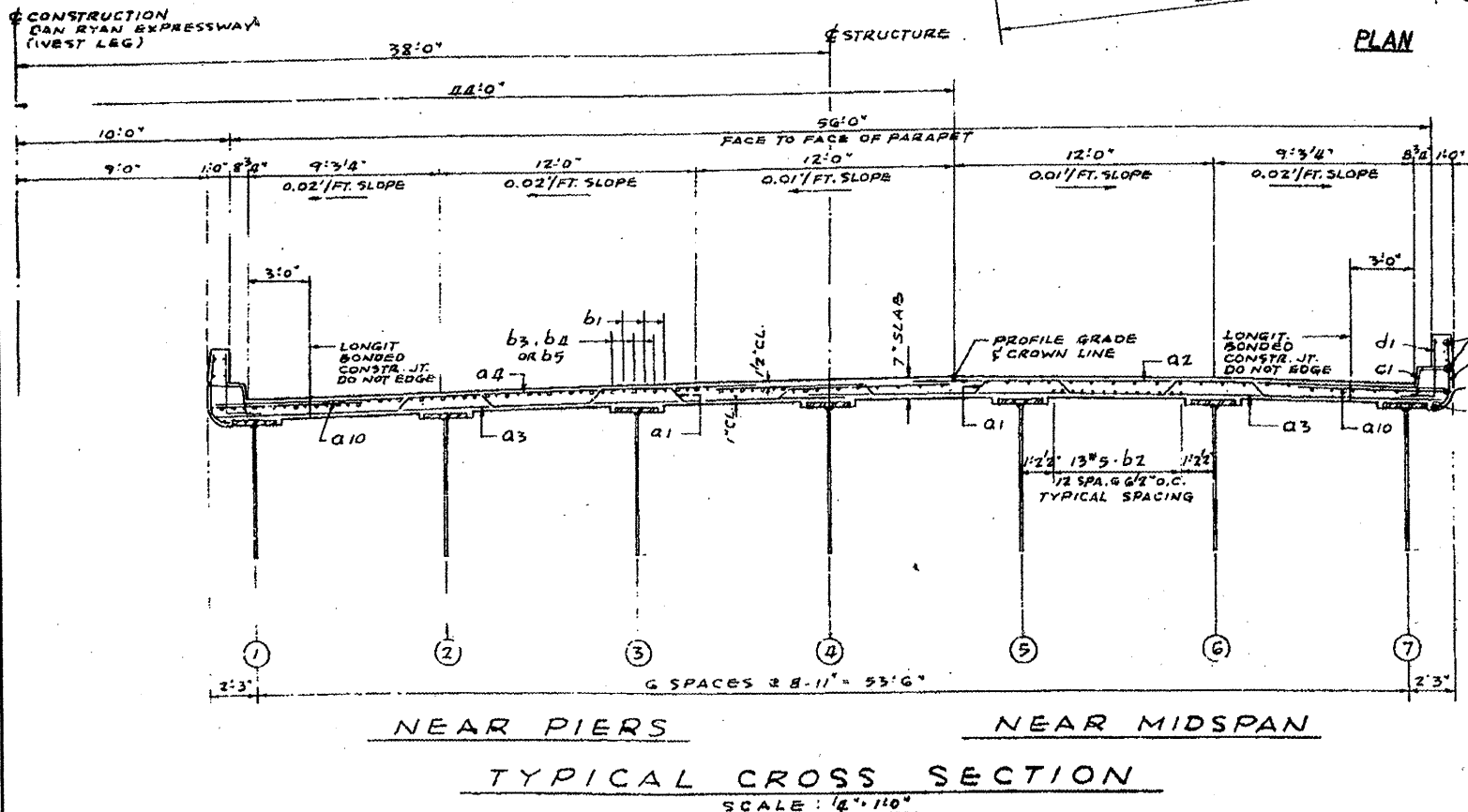


ROUTE FAI 57	SECTION 2011-052-1	COUNTY COOK	TOTAL SHEETS 44	SHEET NUMBER 33
-----------------	-----------------------	----------------	--------------------	--------------------

CONTRACT NO. 60P62



FOR INFORMATION ONLY



ILLINOIS DEPARTMENT OF
TRANSPORTATION

EXISTING PLANS
LOCATION 18 (SN 016-0065)
I-57 NB over Calumet Sag Channel