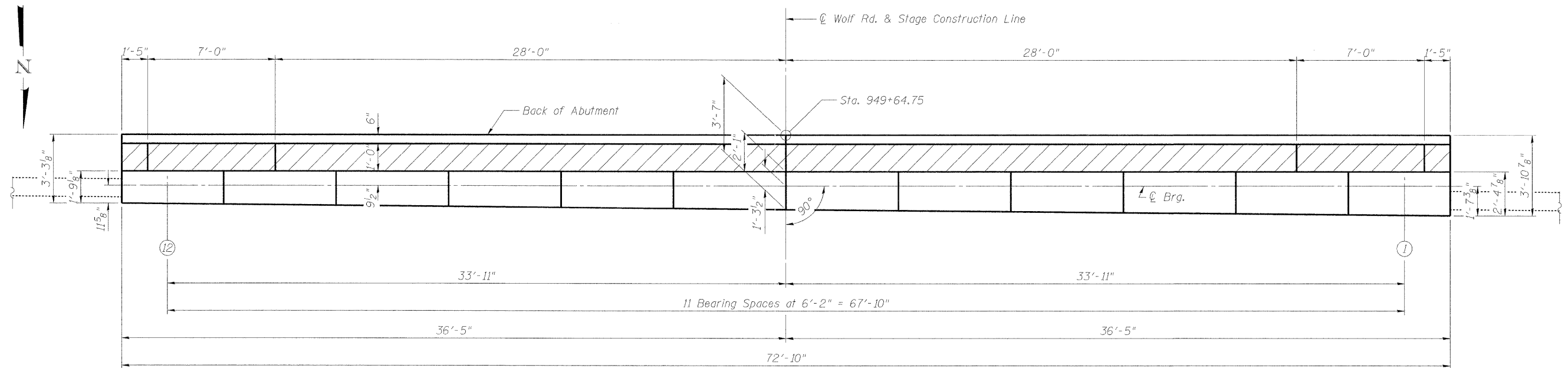


ELEVATION



TOP VIEW

BEARING SEAT ELEVATIONS

Beam	Bearing Seat Elevation
1	643.60
2	643.69
3	643.79
4	643.88
5	643.97
6	644.06
7	644.06
8	643.97
9	643.88
10	643.79
11	643.69
12	643.60

FILE NAME = g:\projects\2102155_001\road\structure\sh1\0160606-60462-021-S_Abut_1.dgn

	USER NAME = 2sayerb	DESIGNED - BPS	REVISED -	STATE OF ILLINOIS DEPARTMENT OF TRANSPORTATION	SOUTH ABUTMENT PLAN AND ELEVATION S.N. 016-0680	F.A.J. RTE. 2692	SECTION 2011-205-F	COUNTY COOK	TOTAL SHEETS 17	SHEET NO. 12
	PLOT SCALE = N/A	CHECKED - BHS	REVISED -			CONTRACT NO. 60R35				
	PLOT DATE = 10/15/2011	DRAWN - BPS	REVISED -			ILLINOIS FED. AID PROJECT				
		CHECKED - BHS	REVISED -			SHEET NO. S21 OF 29 SHEETS				

FOR INFORMATION ONLY