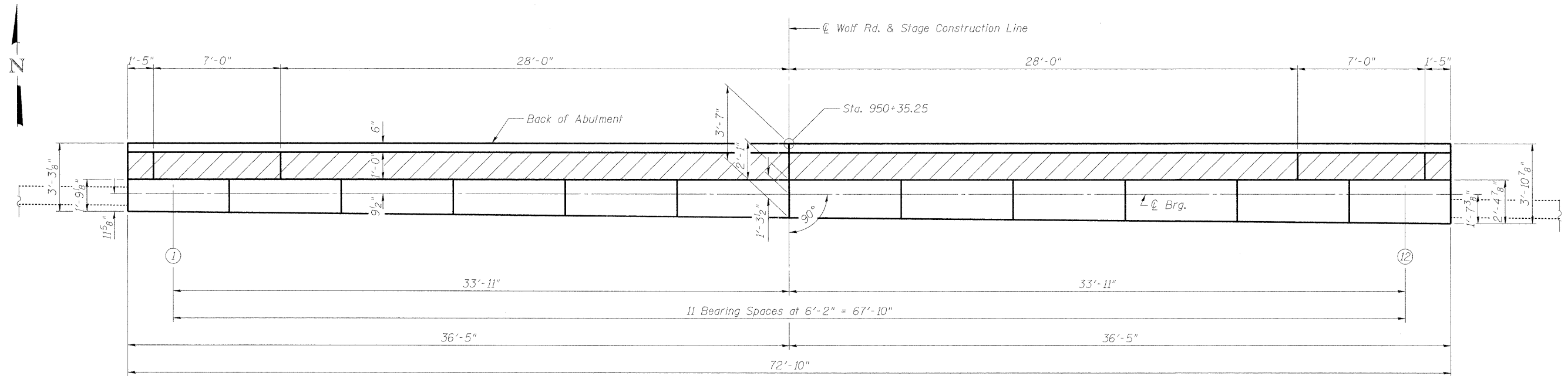


ELEVATION



TOP VIEW

BEARING SEAT ELEVATIONS

Beam	Bearing Seat Elevation
1	643.51
2	643.60
3	643.70
4	643.79
5	643.88
6	643.97
7	643.97
8	643.88
9	643.79
10	643.70
11	643.60
12	643.51

FILE NAME = g:\yrc\proj\2012\155_00\road\structure\11\10168668-68462-023-N_Abrut_1.dgn



USER NAME = 2eayerb	DESIGNED - BPS	REVISED -
PLOT SCALE = N/A	CHECKED - BHS	REVISED -
PLOT DATE = 10/15/2011	DRAWN - BPS	REVISED -
	CHECKED - BHS	REVISED -

**STATE OF ILLINOIS
DEPARTMENT OF TRANSPORTATION**

**NORTH ABUTMENT PLAN AND ELEVATION
S.N. 016-0680**

F.A.U. RTE. 2692	SECTION 2011-205-F	COUNTY COOK	TOTAL SHEETS 17	SHEET NO. 13
CONTRACT NO. 60R35			ILLINOIS FED. AID PROJECT	

SHEET NO. 523 OF 29 SHEETS

FOR INFORMATION ONLY