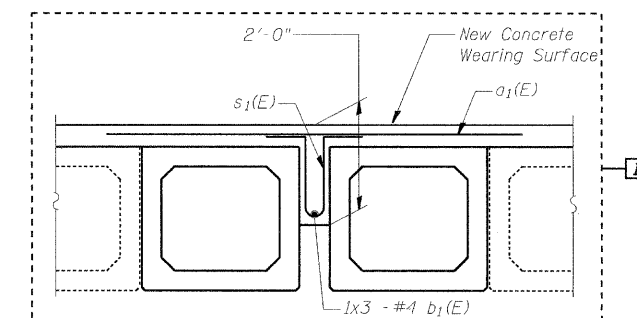
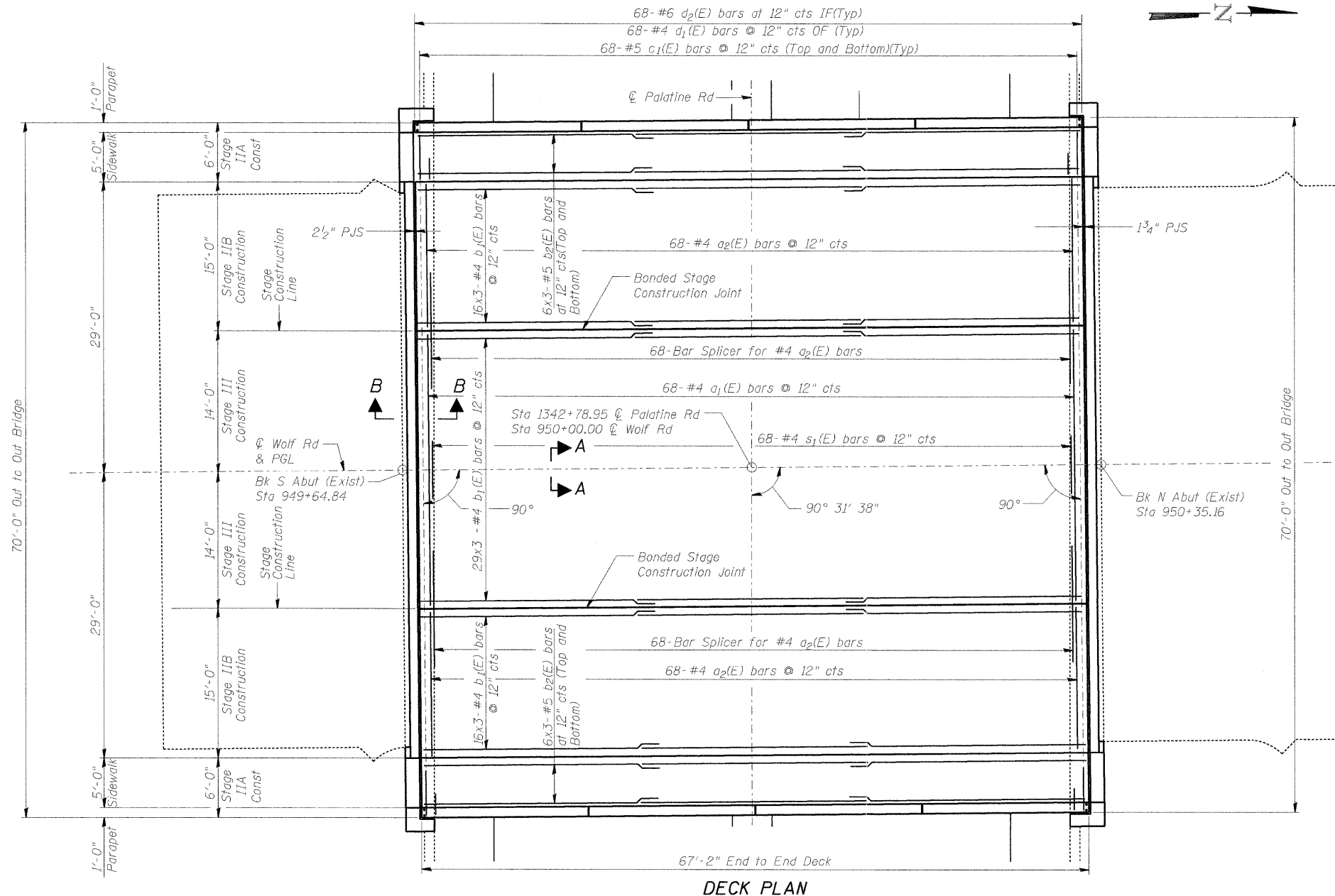
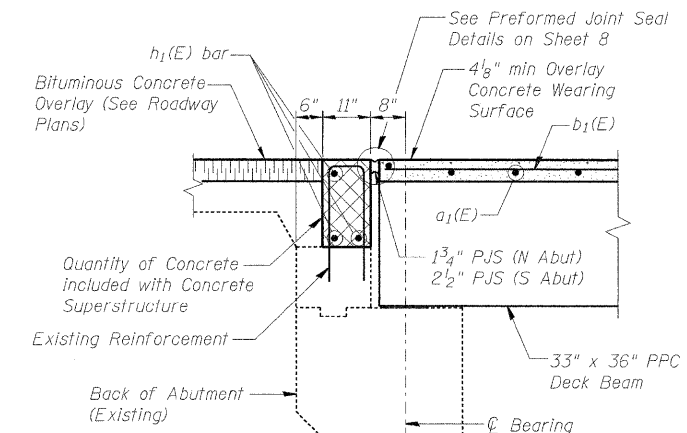


STATE OF ILLINOIS
DEPARTMENT OF TRANSPORTATION

ROUTE NO. FAP 305	SECTION *	COUNTY Cook	TOTAL SHEETS 72	SHEET NO. 64	SHEET NO. 6 14 SHEETS
FED. ROAD DIST. NO. 7		ILLINOIS	FED. AID PROJECT		
Contract No. 62853 *2004-108 BR					



SECTION A-A
THROUGH LONGITUDINAL JOINT



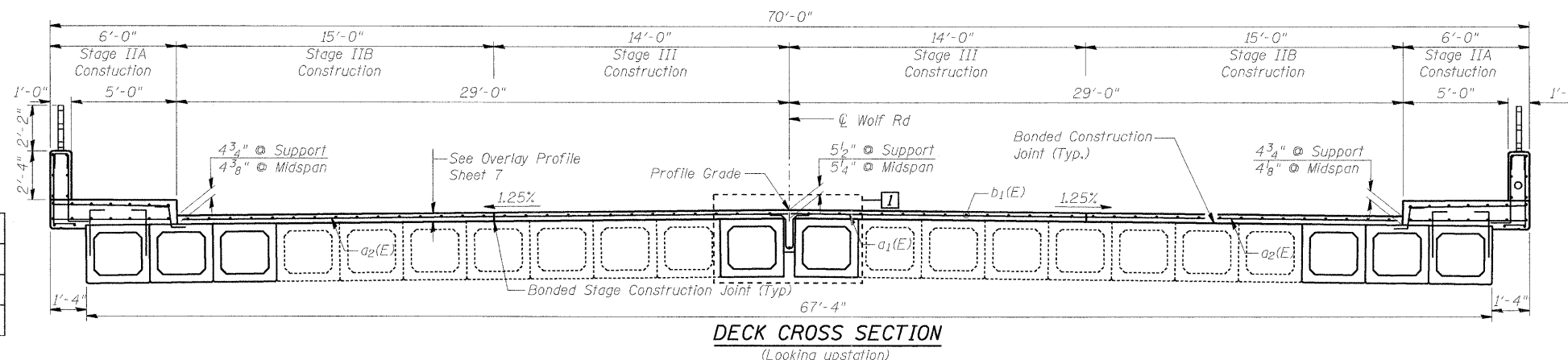
SECTION B-B

NOTES

1. Bars indicated thus: 30x3 - #4 etc indicates 30 lines of bars with 3 lengths per line.
2. EF = Each Face, OF = Outer Face, IF = Inner Face
3. For Parapet Elevation, Sidewalk Details and Bill of Material See Sheet 7.
4. See Electrical Plans for proposed conduit.

LAP LENGTHS

- #4 - 1'-8"
- #5 - 2'-2"



DECK CROSS SECTION
(Looking upstation)

DECK PLAN AND CROSS SECTION
WOLF RD. OVER PALATINE RD.
F.A.P. RTE. 305 SECT. 2004-108 BR
COOK COUNTY
STATION 950+00.00
STRUCTURE NO. 016-0680

7 - REVISED 07-26-06, BPS

DESIGNED	BPS
CHECKED	KFA
DRAWN	BPS
CHECKED	GSP



CONSULTING ENGINEERS & PLANNERS
CHICAGO, ILLINOIS

DESIGNED	-	BPS	REVISED	-
CHECKED	-	BHS	REVISED	-
DRAWN	-	BPS	REVISED	-
CHECKED	-	BHS	REVISED	-

STATE OF ILLINOIS
DEPARTMENT OF TRANSPORTATION

EXISTING BRIDGE PLANS (3 OF 4)
S.N. 016-0680

SHEET NO. S28 OF 29 SHEETS

F.A.U. RTE. 2692	SECTION 2011-205-F	COUNTY COOK	TOTAL SHEETS 17	SHEET NO. 16
CONTRACT NO. 60R35				ILLINOIS FED. AID PROJECT

FOR INFORMATION ONLY