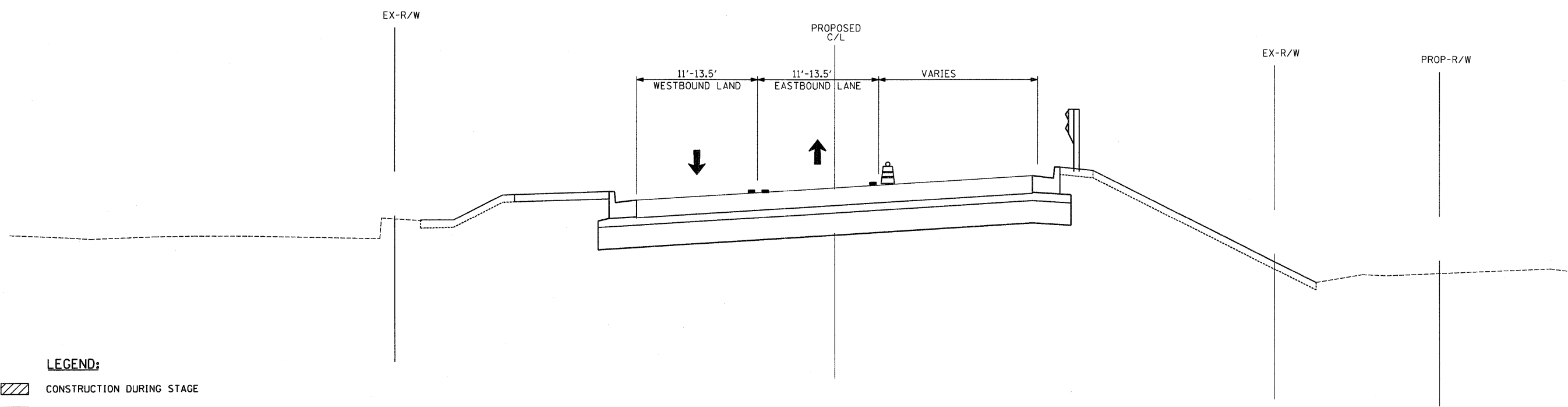
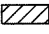






**MOT - STAGE 2**  
**IL 64**  
 STA. 39+86 TO STA. 48+00



**MOT - STAGE 2**  
**IL 64**  
 STA. 48+00 TO STA. 54+82

- LEGEND:**
-  CONSTRUCTION DURING STAGE
  -  TEMPORARY PAVEMENT 10"
  -  DRUM WITH MONODIRECTIONAL FLASHING LIGHT
  -  DIRECTION OF TRAFFIC
  -  PAVEMENT MARKING

FILE NAME = #FILEL#	USER NAME = .USER_	DESIGNED - AR	REVISED -	<b>STATE OF ILLINOIS</b> <b>DEPARTMENT OF TRANSPORTATION</b>	<b>IL 64 AT IL 47 INTERSECTION IMPROVEMENTS</b> <b>SUGGESTED STAGE 2 MOT TYPICAL SECTIONS</b>	F.A.P. RTE. 307	SECTION 126N-1	COUNTY KANE	TOTAL SHEETS 156	SHEET NO. 40	
	PLOT SCALE = 5.0000' / IN.	CHECKED - RS	REVISED -			CONTRACT NO. 62278					
PLOT DATE = 9/1/2011	DATE - 09-01-2011	REVISED -	SCALE:			SHEET NO. 1 OF 1 SHEETS	STA. TO STA.	ILLINOIS FED. AID PROJECT			