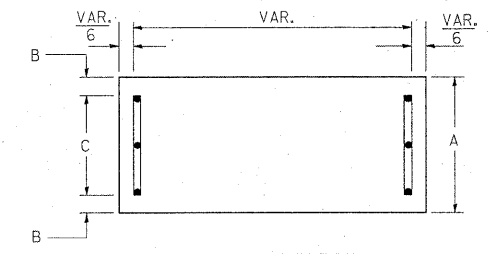


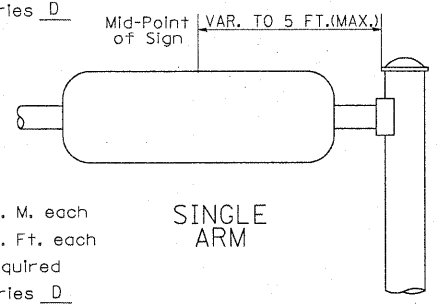
EXAMPLE, 2³ DENOTES $\frac{3}{8}$

SUPPORTING CHANNELS



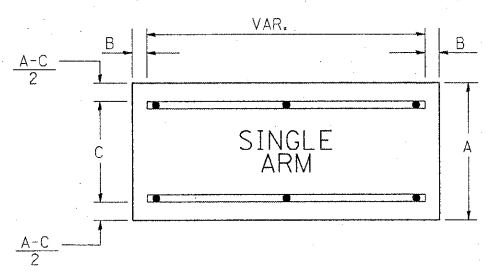
A	B	C
18"	2"	14"

Sq. M. each
7.50 Sq. Ft. each
2 Required
Design Series D



SINGLE ARM

SUPPORTING CHANNELS



A	B	C
18"	2"	12"
30"	2"	22"

Sq. M. each
7.50 Sq. Ft. each
2 Required
Design Series D

**Upper Case To Lower Case
Spacing Chart 8-6 Inch Series "C & D"**

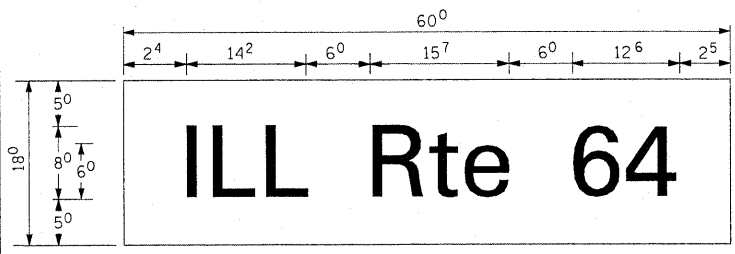
SERIES	SECOND LETTER															
	a c c d e		b h i k l		f w		j		s t		v y		x		z	
	C	D	C	D	C	D	C	D	C	D	C	D	C	D	C	D
A W X	1 ²	1 ⁴	1 ⁴	1 ⁵	1 ²	1 ⁴	0 ⁶	1 ⁰	1 ¹	1 ⁴	0 ⁶	1 ⁰	1 ¹	1 ²	1 ²	1 ⁴
B	1 ⁴	1 ⁵	2 ⁰	2 ¹	1 ⁴	1 ⁵	1 ¹	1 ²	1 ⁴	1 ⁵	1 ²	1 ⁴	1 ²	1 ⁴	1 ⁶	1 ⁷
C E G	1 ⁴	1 ⁵	2 ⁰	2 ¹	1 ²	1 ⁴	0 ⁶	1 ⁰	1 ²	1 ⁴	1 ²	1 ⁴	1 ⁴	1 ⁵	1 ⁴	1 ⁵
D O Q R	1 ⁴	1 ⁵	2 ⁰	2 ¹	1 ⁴	1 ⁵	0 ⁶	1 ⁰	1 ²	1 ⁴	1 ²	1 ⁴	1 ⁴	1 ⁵	1 ⁴	1 ⁵
F	0 ⁵	0 ⁶	1 ⁴	1 ⁵	0 ⁶	1 ⁰	0 ⁵	0 ⁶	0 ⁶	1 ⁰	0 ⁶	1 ⁰	0 ⁶	1 ⁰	1 ¹	1 ²
H I M N	2 ⁰	2 ¹	2 ²	2 ⁴	2 ⁰	2 ¹	1 ⁴	1 ⁵	1 ⁶	1 ⁷	1 ⁶	1 ⁷	2 ⁰	2 ¹	2 ⁰	2 ¹
J U	2 ⁰	2 ¹	2 ⁰	2 ¹	1 ⁶	1 ⁷	1 ⁴	1 ⁵	1 ⁶	1 ⁷	1 ⁶	1 ⁷	1 ⁶	1 ⁷	2 ⁰	2 ¹
K L	1 ¹	1 ²	1 ⁶	1 ⁷	1 ¹	1 ²	0 ⁵	0 ⁶	1 ¹	1 ²	1 ¹	1 ²	1 ¹	1 ²	1 ²	1 ⁴
P	1 ²	1 ⁴	1 ⁴	1 ⁵	1 ²	1 ⁴	0 ⁵	0 ⁶	1 ¹	1 ²	1 ¹	1 ²	1 ²	1 ⁴	1 ²	1 ⁴
S	1 ²	1 ⁴	1 ⁶	1 ⁷	1 ²	1 ⁴	0 ⁶	1 ⁰	1 ²	1 ⁴	1 ²	1 ⁴	1 ²	1 ⁴	1 ²	1 ⁴
T	1 ¹	1 ²	1 ⁶	1 ⁷	0 ⁶	1 ⁰	0 ⁶	1 ⁰	1 ¹	1 ²	1 ¹	1 ²	1 ¹	1 ²	1 ²	1 ⁴
V	0 ⁶	1 ⁰	1 ⁴	1 ⁵	1 ¹	1 ²	0 ⁶	1 ⁰	1 ²	1 ⁴	1 ²	1 ⁴	1 ²	1 ⁴	1 ²	1 ⁴
Y	0 ⁵	0 ⁶	1 ⁴	1 ⁵	0 ⁶	1 ⁰	0 ⁵	0 ⁶	0 ⁵	0 ⁷	0 ⁵	0 ⁶	0 ⁶	1 ⁰	1 ¹	1 ²
Z	1 ⁶	1 ⁷	2 ²	2 ⁴	1 ⁶	1 ⁷	1 ²	1 ⁴	1 ⁶	1 ⁷	1 ⁶	1 ⁷	1 ⁶	1 ⁷	2 ⁰	2 ¹

**Lower Case To Lower Case
Spacing Chart 6 Inch Series "C & D"**

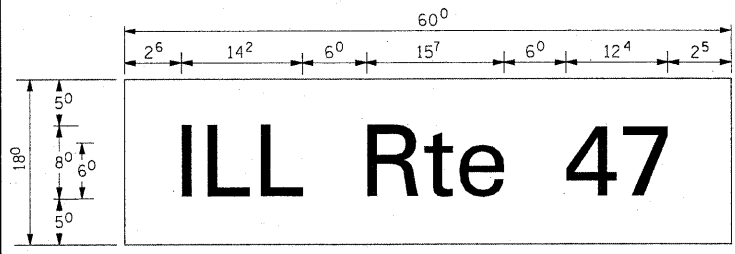
SERIES	SECOND LETTER															
	a c c d e		b h i k l		f w		j		s t		v y		x		z	
	C	D	C	D	C	D	C	D	C	D	C	D	C	D	C	D
a d h g i j	1 ⁶	1 ⁷	2 ²	2 ⁴	1 ⁶	1 ⁷	1 ²	1 ⁴	1 ⁴	1 ⁵	1 ⁴	1 ⁵	1 ⁶	1 ⁷	1 ⁶	1 ⁷
l m n q u	1 ²	1 ⁴	1 ⁶	1 ⁷	1 ¹	1 ²	0 ⁵	0 ⁶	1 ¹	1 ¹	1 ¹	1 ²	1 ²	1 ⁴	1 ²	1 ⁴
b f k o p s	1 ²	1 ⁴	1 ⁶	1 ⁷	1 ²	1 ⁴	0 ⁶	1 ⁰	1 ²	1 ⁴	1 ²	1 ⁴	1 ²	1 ⁴	1 ²	1 ⁴
c e	1 ²	1 ⁴	1 ⁶	1 ⁷	1 ²	1 ⁴	0 ⁶	1 ⁰	1 ²	1 ⁴	1 ²	1 ⁴	1 ²	1 ⁴	1 ²	1 ⁴
r	0 ⁶	1 ⁰	1 ²	1 ⁴	0 ⁶	1 ⁰	0 ³	0 ³	0 ⁵	0 ⁶	0 ⁵	0 ⁶	0 ⁶	1 ⁰	0 ⁶	1 ⁰
t z	1 ²	1 ⁴	1 ⁶	1 ⁷	1 ²	1 ⁴	0 ⁶	1 ⁰	1 ¹	1 ²	1 ¹	1 ²	1 ²	1 ⁴	1 ²	1 ⁴
v y	1 ¹	1 ²	1 ⁴	1 ⁵	1 ¹	1 ²	0 ⁵	0 ⁶	0 ⁶	1 ⁰	0 ⁶	1 ⁰	1 ¹	1 ²	1 ¹	1 ²
w	1 ¹	1 ²	1 ⁴	1 ⁵	1 ¹	1 ²	0 ⁵	0 ⁶	1 ¹	1 ²	1 ¹	1 ²	1 ¹	1 ²	1 ²	1 ⁴
x	1 ²	1 ⁴	1 ⁶	1 ⁷	1 ¹	1 ²	0 ⁵	0 ⁶	1 ¹	1 ²	1 ¹	1 ²	1 ¹	1 ²	1 ²	1 ⁴

**Number To Number
Spacing Chart 8 Inch Series "C & D"**

SERIES	SECOND NUMBER																			
	0		1		2		3		4		5		6		7		8		9	
	C	D	C	D	C	D	C	D	C	D	C	D	C	D	C	D	C	D	C	D
0 9	1 ⁶	1 ⁷	1 ⁶	1 ⁷	1 ⁴	1 ⁵	1 ²	1 ⁴	1 ⁴	1 ⁵	1 ⁴	1 ⁵	1 ⁶	1 ⁷	1 ²	1 ⁴	1 ⁶	1 ⁷	1 ⁶	1 ⁷
1	2 ⁰	2 ¹	2 ⁰	2 ¹	2 ⁰	2 ¹	1 ⁶	1 ⁷	1 ⁴	1 ⁵	2 ⁰	2 ¹	2 ⁰	2 ¹	1 ⁴	1 ⁵	2 ⁰	2 ¹	2 ⁰	2 ¹
2 3 4	1 ⁴	1 ⁵	1 ⁴	1 ⁵	1 ⁴	1 ⁵	1 ²	1 ⁴	1 ²	1 ⁴	1 ⁴	1 ⁵	1 ⁴	1 ⁵	1 ¹	1 ²	1 ⁶	1 ⁷	1 ⁴	1 ⁵
5	1 ⁴	1 ⁵	1 ⁴	1 ⁵	1 ⁴	1 ⁵	1 ¹	1 ²	1 ¹	1 ²	1 ⁴	1 ⁵	1 ⁴	1 ⁵	1 ¹	1 ²	1 ⁴	1 ⁵	1 ⁴	1 ⁵
6	1 ⁶	1 ⁷	1 ⁴	1 ⁵	1 ⁴	1 ⁵	1 ²	1 ⁵	1 ²	1 ⁴	1 ⁴	1 ⁵	1 ⁴	1 ⁵	1 ¹	1 ²	1 ⁴	1 ⁵	1 ⁴	1 ⁵
7	1 ²	1 ⁴	1 ²	1 ⁴	1 ⁴	1 ⁵	1 ²	1 ⁵	0 ⁵	0 ⁶	1 ²	1 ⁴	1 ⁴	1 ⁵	1 ¹	1 ²	1 ⁴	1 ⁵	1 ²	1 ⁴
8	1 ⁶	1 ⁷	1 ⁶	1 ⁷	1 ⁴	1 ⁵	1 ²	1 ⁵	1 ²	1 ⁴	1 ⁴	1 ⁵	1 ⁶	1 ⁷	1 ²	1 ⁴	1 ⁶	1 ⁷	1 ⁴	1 ⁵



PANEL SIGN DESIGN TYPE 1

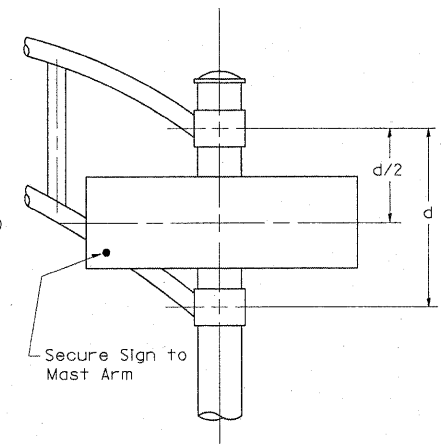


PANEL SIGN DESIGN TYPE 1

GENERAL NOTES

- WHERE MAST ARM MOUNTED STREET NAME SIGNS ARE SPECIFIED, THE MAST ARM ASSEMBLY AND POLES SHALL BE DESIGNED TO SUPPORT THE LOADINGS CALLED FOR ON STANDARDS 877001, 877002, 877006, 877011 AND 877012, AS APPLICABLE, PLUS TWO (2) SIGN PANELS 2'-6" x 6'-0" MOUNTED AS SHOWN. THE DESIGN SHALL BE IN ACCORDANCE WITH THE REQUIREMENTS OF THE CURRENT "STANDARD SPECIFICATIONS FOR STRUCTURAL SUPPORTS FOR HIGHWAY SIGNS, LUMINAIRES, AND TRAFFIC SIGNALS" AS PUBLISHED BY THE AMERICAN ASSOCIATION OF STATE HIGHWAY AND TRANSPORTATION OFFICIALS FOR 80 M.P.H. WIND VELOCITY.
- ALL SIGNS SHALL HAVE A WHITE REFLECTORIZED LEGEND AND BORDER ON A GREEN REFLECTORIZED BACKGROUND, TYPE A SHEETING.
- THE SIGN LENGTH SHOULD BE INCREASED IN 6-INCH INCREMENTS, BUT THE OVERALL LENGTH SHOULD NOT EXCEED 8'-0".
- ALL BORDERS SHALL BE 3/4" WIDE AND CORNER RADIUS SHALL BE 2-1/4".
- SIGNFIX ALUMINUM CHANNEL FRAMING SYSTEM SHALL BE USED FOR ALL SIGNS ATTACHED TO SIGNAL POLES AND POSTS. LOCAL SUPPLIERS OF THE SIGNFIX ALUMINUM CHANNEL FRAMING SYSTEM ARE:
* J.O. HERBERT CO. MIDLOTHIAN, VA. * WESTERN REMAC INC. WOODRIDGE, IL.

PARTS LISTING:
SIGN CHANNEL PART *HPN053 (MED. CHANNEL)
SIGN SCREWS 1/4" x 14 x 1" H.W.H. #3
SELF TAPPING WITH NEOPRENE WASHER
BRACKETS PART *HPN034 (UNIVERSAL)
CHANNEL CLAMPS WITH STAINLESS STEEL STRAPPING
OTHER BRANDS OF MOUNTING HARDWARE ARE ACCEPTABLE, BASED UPON THE DEPARTMENT'S APPROVAL AND COMPATIBILITY WITH THE CHANNEL/BACKET OF THE ABOVE PRODUCT.



DUAL ARM

SIGNFIX ALUMINUM CHANNEL FRAMING SYSTEM
Shall be used. See Note #5.

FILE NAME =	USER NAME = .USER.	DESIGNED - AR	REVISED -	STATE OF ILLINOIS DEPARTMENT OF TRANSPORTATION	DISTRICT ONE MAST ARM MOUNTED STREET NAME SIGNS	F.A.P. RTE. 307	SECTION 126N-1	COUNTY KANE	TOTAL SHEETS 156	SHEET NO. 92		
#FILE#	PLOT SCALE = 20,000 Ft. / IN.	DRAWN - AR	REVISED -			SCALE:	SHEET NO. 4 OF 4 SHEETS	STA.	TO STA.	CONTRACT NO. 62278		
	PLOT DATE = 9/2/2011	CHECKED - RS	REVISED -			ILLINOIS FED. AID PROJECT						
		DATE - 09-01-2011	REVISED -									