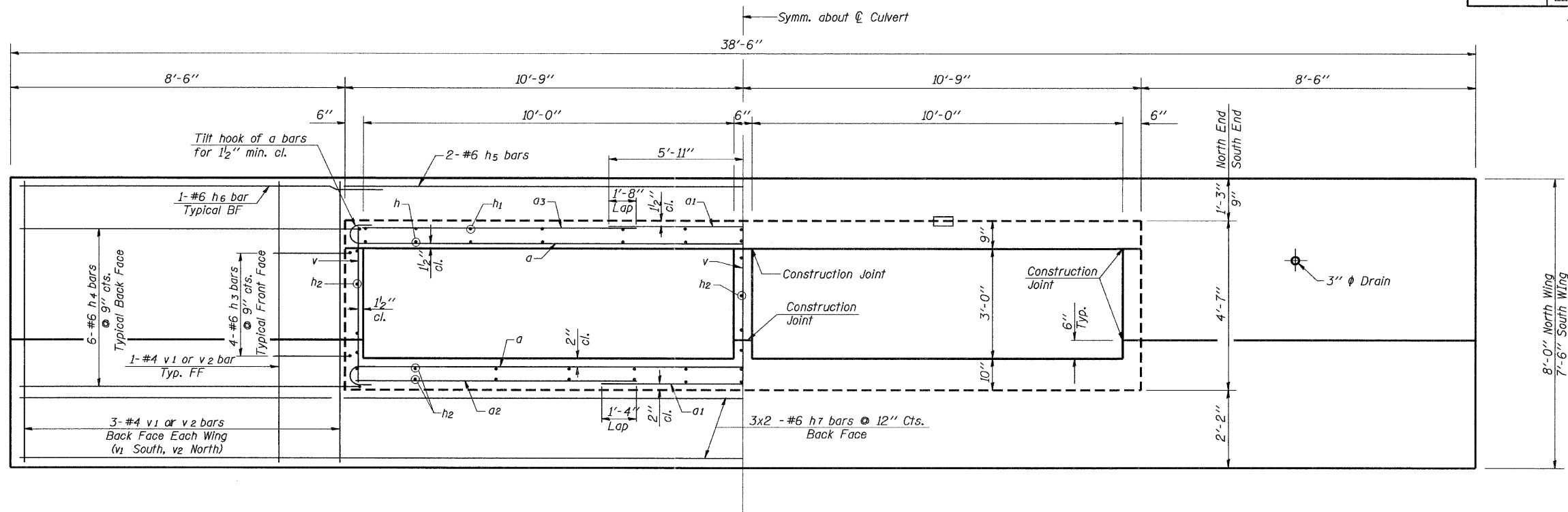


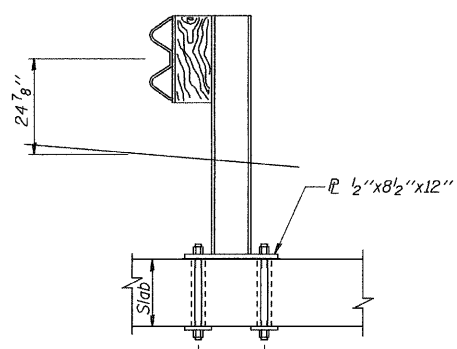
ROUTE NO.	SECTION	COUNTY	TOTAL SHEETS	SHEET NO.
FAP 307	126N-1	KANE		156
ILLINOIS			Sheet 3 of 3	



SHOWING REINFORCEMENT

SHOWING DIMENSIONS

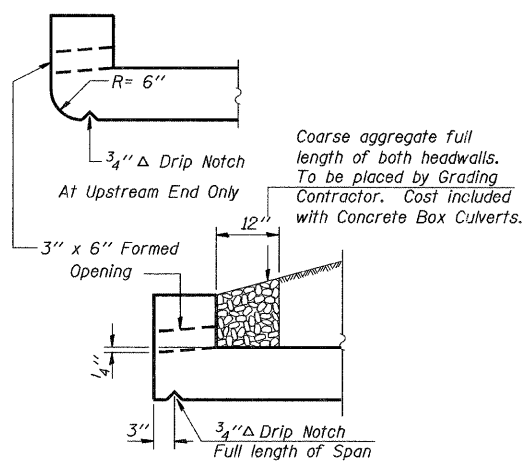
END ELEVATION



4-1" ϕ threaded rods w/ nut & flat washer w/ 1/2" ϕ cored or formed holes. Holes shall miss all reinforcement.

TYPICAL GUARDRAIL DETAIL

See Standard 630.101



Coarse aggregate full length of both headwalls. To be placed by Grading Contractor. Cost included with Concrete Box Culverts.

DRAIN DETAIL

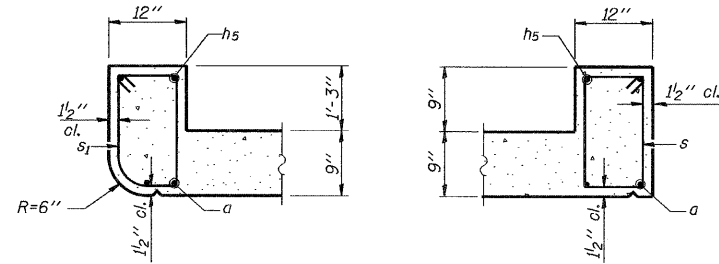
STATION 52+79.23
 BUILT 201 BY
 STATE OF ILLINOIS
 FAP ROUTE 307 SEC. 126N-1
 F.A. PROJ.
 LOADING HS20
 STR. NO. 045-2027

LETTERING FOR NAME PLATE

See Std. 515001

NOTES

Bars indicated thus 12 x 4-#5 etc. indicates 12 lines of bars with 4 lengths per line.



AT UPSTREAM END

AT DOWNSTREAM END

SECTION THRU HEADWALLS

DESIGNED	F.J.S.
CHECKED	S.F.M.
DRAWN	D.E.G. & K.T.R.
CHECKED	A.R.K. & S.F.M.

CULVERT DETAILS
 F.A.P. RTE. 307-IL. RTE. 64
 TRIBUTARY TO FERSON CREEK
 SECTION 126N-1
 KANE COUNTY
 STATION 52+79.23
 STRUCTURE NO. 045-2027

4440 ASH GROVE
 SPRINGFIELD, IL 62711
 (217) 733-9900
 www.fehr-graham.com

FEHR-GRAHAM & ASSOCIATES, LLC
 ENGINEERING AND SCIENCE CONSULTANTS
 RESPONABLE, RICHMOND, ILLINOIS, MEMBER OF SPRINGFIELD, ILLINOIS

JOB NO.: 48520H
 FILE: DETAIL2.DGN
 DATE: 04-25-11