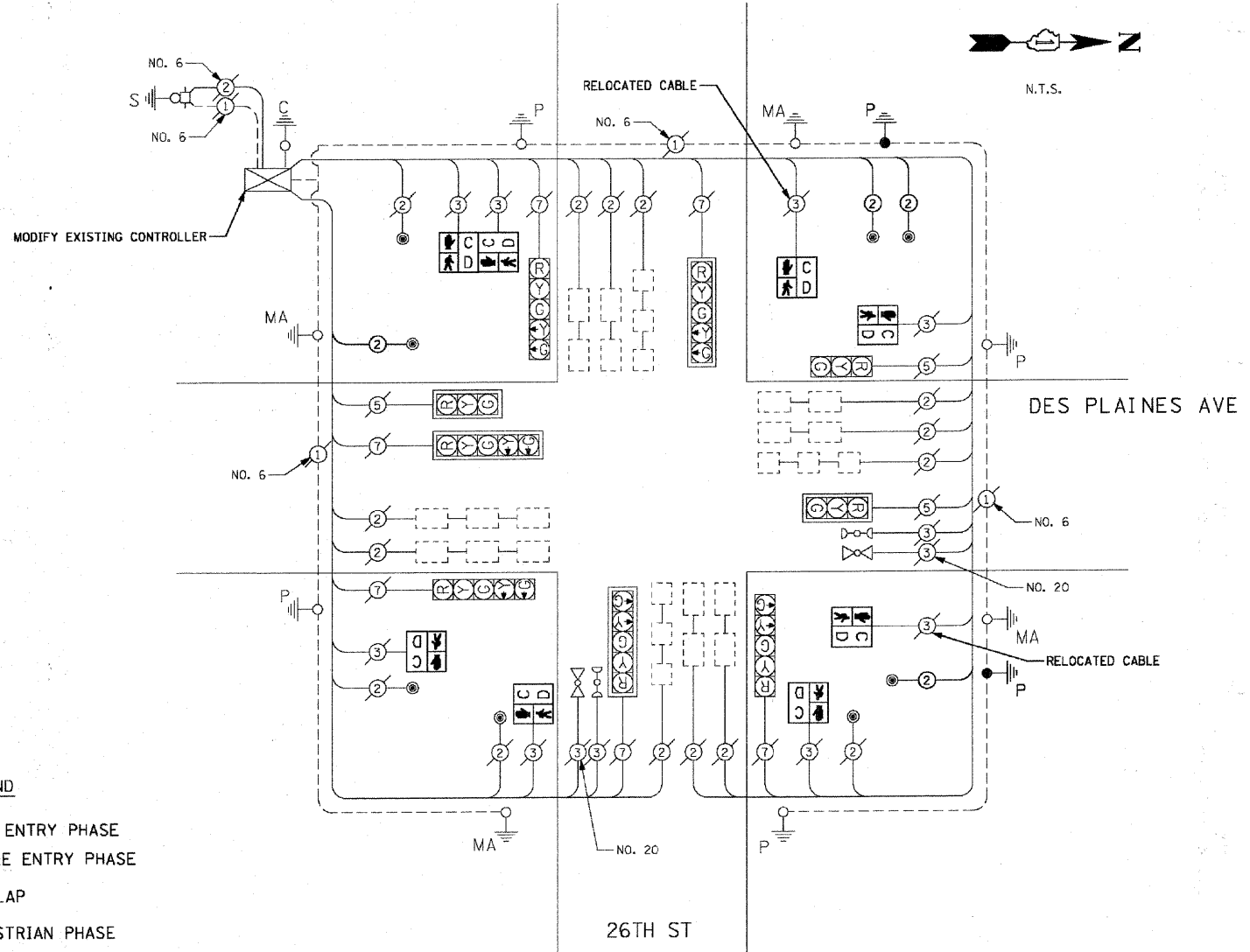


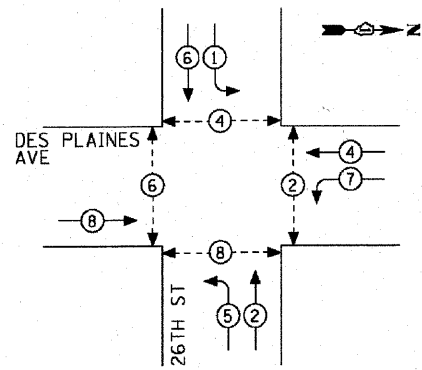
CABLE PLAN



SCHEDULE OF QUANTITIES

QTY	UNIT	ITEM DESCRIPTION
11	FOOT	CONDUIT IN TRENCH, 2" DIA., GALVANIZED STEEL
11	FOOT	TRENCH AND BACKFILL FOR ELECTRICAL WORK
1	EACH	MAINTENANCE OF EXISTING TRAFFIC SIGNAL INSTALLATION
459	FOOT	ELECTRIC CABLE IN CONDUIT, SIGNAL NO. 14 2C
2	EACH	PEDESTRIAN PUSH-BUTTON POST, GALVANIZED STEEL, TYPE II
2	EACH	DRILL EXISTING HANDHOLE
6	EACH	PEDESTRIAN SIGNAL HEAD, LED, 1-FACE, BRACKET MOUNTED WITH COUNTDOWN TIMER
1	EACH	PEDESTRIAN SIGNAL HEAD, LED, 2-FACE, BRACKET MOUNTED WITH COUNTDOWN TIMER
8	EACH	PEDESTRIAN PUSH-BUTTON
1	EACH	MODIFY EXISTING CONTROLLER
119	FOOT	REMOVE ELECTRIC CABLE FROM CONDUIT
111	FOOT	REMOVE AND REINSTALL ELECTRIC CABLE FROM CONDUIT
1	EACH	REMOVE EXISTING TRAFFIC SIGNAL EQUIPMENT

EXISTING AND PROPOSED CONTROLLER SEQUENCE

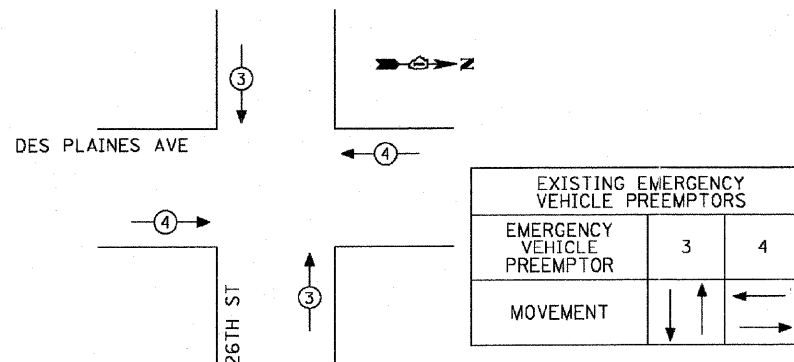


PHASE DESIGNATION DIAGRAM

LEGEND

- ◄●► DUAL ENTRY PHASE
- ◄◻► SINGLE ENTRY PHASE
- ◄◊► OVERLAP
- ◄●-► PEDESTRIAN PHASE
- NUMBER REFERS TO ASSOCIATED PHASE

EMERGENCY VEHICLE PREEMPTION SEQUENCE



I.D.O.T. TRAFFIC SIGNAL INSTALLATION ELECTRICAL SERVICE REQUIREMENTS					TOTAL WATTAGE
TYPE	NO. LAMPS	WATTAGE INCAND.	LED	%OPERATION	
SIGNAL (RED)	9	135		0.50	607.5
(YELLOW)	9	135		0.25	303.75
(GREEN)	9	135		0.25	303.75
ARROW	12	135		0.10	162.0
PED. SIGNAL	8		25	1.00	200.0
CONTROLLER	1	100		1.00	100.0
ILLUM. SIGN		84		0.05	
VIDEO SYSTEM		150		1.00	
FLASHER				0.50	
ENERGY COSTS TO:					TOTAL = 1677.0

VILLAGE OF NORTH RIVERSIDE
 2401 S. DesPlaines Avenue
 North Riverside, IL 60546
 ENERGY SUPPLY CONTACT: LINDA CLARK
 PHONE: (708) 410-5313
 COMPANY: COM. ED.

FILE NAME = ...\\31-cable Des Plaines.dgn	USER NAME =	DESIGNED - GJG	REVISED DMS 3/9/2010
		DRAWN - GJG	REVISED DMS 4/6/2010
		CHECKED - DMS	REVISED -
		DATE - 1/29/2010	REVISED -

STATE OF ILLINOIS
 DEPARTMENT OF TRANSPORTATION

CABLE PLAN, PHASE DESIGNATION DIAGRAM,
 EVP SEQUENCE AND SCHEDULE OF QUANTITIES
 DES PLAINES AVENUE AT 26TH STREET

SCALE: NONE SHEET NO. OF SHEETS STA. TO STA.

KLOAN
 Kenig, Lindgren, O'Hara, Albores, Inc.
 9678 West Higgins Road, Suite 400
 Rosemont, Illinois 60018
 P: (847) 610-6980 F: (847) 610-6987
 PROJECT # 09-174

F.A. RTE.	SECTION	COUNTY	TOTAL SHEETS	SHEET NO.
VAR	06-00080-01-BT	COOK	37	31
FED. ROAD DIST. NO.			ILLINOIS FED. AID PROJECT HPP-34630061	
			CONTRACT NO. 63461	