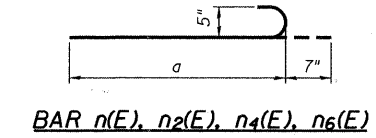
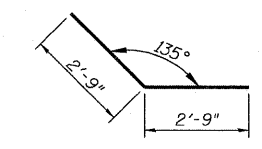


Notes:
 Reinforcement Bars designated (E) shall be epoxy coated.
 Reinforcement Bars shall conform to the requirements of ASTM A 706 Gr 60. See Special Provisions.
 Exposed edges of wall shall have 3/4" chamfers unless otherwise noted.

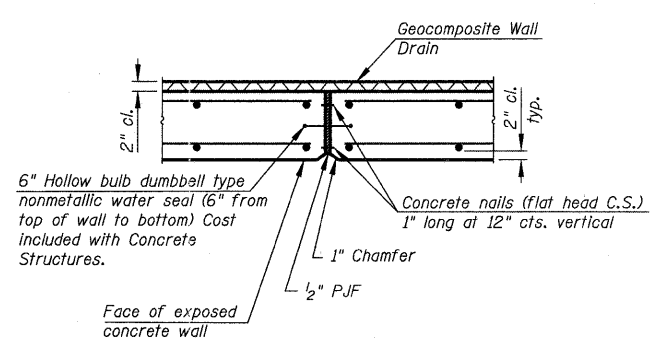


| BAR | n1(E) | n2(E) | n4(E) | n6(E) |
|-----|--------|-------|-------|-------|
| a | 3'-10" | 4'-1" | 4'-4" | 2'-7" |

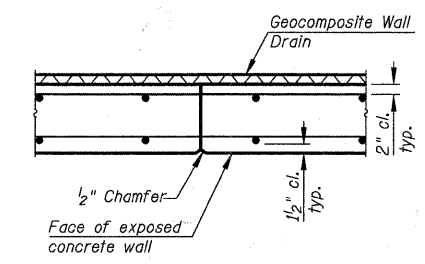


BAR w3(E)

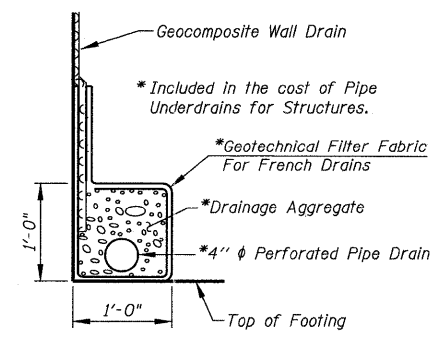
PARTIAL FOOTING PLAN



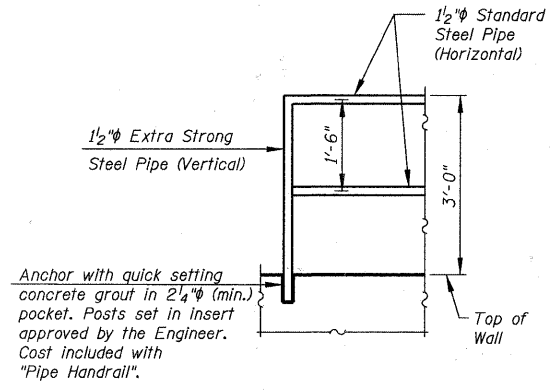
EXPANSION JOINT



CONSTRUCTION JOINT



PIPE UNDERDRAIN DETAIL

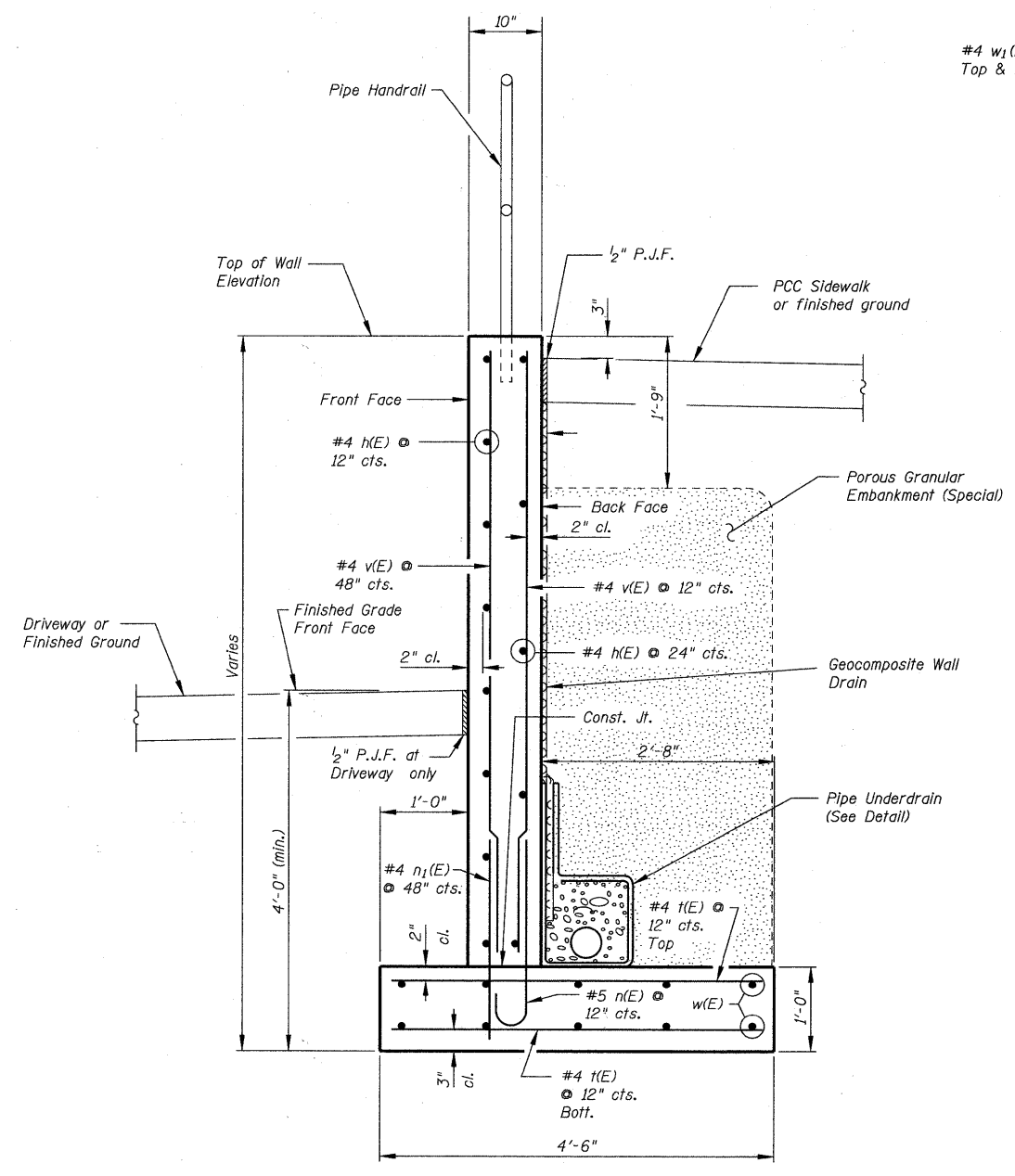


RAILING DETAIL

Notes:
 Handrail shall conform to the requirements of Section 509 of the Standard Specifications.
 The Pipe Handrail shall be painted in accordance with Section 506 of the Standard Specifications. The finish coat shall be black.
 All steel pipe to be ASTM A53.
 Profile of railing shall follow the profile of the top of the wall.
 The unit cost per lineal foot for Pipe Handrail shall include furnishing and installing the posts, sleeves, fittings, grout, pipe, primer and paint.

BILL OF MATERIAL

| Bar | No. | Size | Length | Shape |
|--------------------------------------|----------|------|--------|-------|
| h(E) | 20 | 4 | 23'-5" | |
| h1(E) | 11 | 4 | 20'-8" | |
| h2(E) | 11 | 4 | 9'-11" | |
| h3(E) | 11 | 4 | 3'-11" | |
| n(E) | 44 | 5 | 4'-5" | |
| n1(E) | 10 | 4 | 3'-10" | |
| n2(E) | 22 | 5 | 4'-8" | |
| n3(E) | 5 | 4 | 4'-1" | |
| n4(E) | 8 | 5 | 4'-11" | |
| n5(E) | 3 | 4 | 4'-4" | |
| n6(E) | 5 | 5 | 4'-6" | |
| n7(E) | 2 | 4 | 3'-11" | |
| v(E) | 166 | 4 | 4'-3" | |
| v1(E) | 27 | 4 | 5'-1" | |
| v2(E) | 27 | 4 | 5'-5" | |
| v3(E) | 11 | 4 | 5'-9" | |
| v4(E) | 7 | 4 | 5'-0" | |
| w(E) | 20 | 4 | 33'-5" | |
| w1(E) | 10 | 4 | 10'-0" | |
| w2(E) | 10 | 4 | 5'-3" | |
| w3(E) | 20 | 4 | 5'-6" | |
| Reinforcement Bars, Epoxy Coated | Pound | | 2450 | |
| Structure Excavation | Cu. Yd. | | 104 | |
| Concrete Structures | Cu. Yd. | | 26.7 | |
| Pipe Underdrains for Structures, 4" | Foot | | 76 | |
| Porous Granular Embankment (Special) | Cu. Yd. | | 31 | |
| Pipe Handrail | Lin. Ft. | | 75 | |
| Geocomposite Wall Drain | Sq. Yd. | | 35 | |
| Protective Coat | Sq. Yd. | | 31 | |



TYPICAL SECTION