

TEMPORARY WARNING SIGN GENERAL NOTES:

1. ALL TEMPORARY TRAFFIC CONTROL SIGNS SHALL BE RETROREFLECTIVE AND HAVE A BLACK LEGEND AND BORDER ON AN ORANGE BACKGROUND AND BE IN NEW OR LIKE-NEW CONDITION POST MOUNTED AT A MINIMUM OF 7'-FEET.
2. CONSTRUCTION ACTIVITIES SHALL NOT BEGIN UNTIL ALL SIGNING IS PLACED IN ACCORDANCE WITH THIS PLAN AND AS DIRECTED BY THE ENGINEER.
3. LANE CLOSURES MAY ONLY BE IMPLEMENTED BY THE CONTRACTOR BETWEEN THE HOURS OF 9AM - 3PM AND SHALL BE DONE ACCORDING TO STANDARD 701501-06.
4. SIGN #10 (NO LEFT TURN SYMBOL) MAY ONLY BE POSTED WHEN CONSTRUCTION ACTIVITIES REQUIRE A LANE CLOSURE ADJACENT TO A TURN LANE BETWEEN HOURS OF 9AM - 3PM.
5. SIGNS #8 (ONE LANE ROAD AHEAD) AND #9 (FLAGGER) MUST BE POSTED, TAKEN DOWN, AND RELOCATED ON A DAILY BASIS AS NEEDED.
6. ALL SIGNING SHALL BE IN ACCORDANCE WITH THE APPLICABLE PROVISIONS OF THE STATE OF ILLINOIS "STANDARD SPECIFICATIONS FOR ROAD AND BRIDGE CONSTRUCTION (SSRBC)" ADOPTED JANUARY 1, 2007 AND THE LATEST EDITION OF THE STATE OF ILLINOIS "MANUAL ON UNIFORM TRAFFIC CONTROL DEVICES (MUTCD)", AND AS DIRECTED BY THE ENGINEER.
7. THE SIZES OF ALL SIGNS NOT SPECIFIED IN THESE PLANS SHALL BE AS REQUIRED BY THE ILLINOIS MANUAL ON UNIFORM TRAFFIC CONTROL DEVICES.
8. ADDITIONAL SIGNING AND/OR BARRICADES DEEMED NECESSARY BY THE ENGINEER SHALL BE PROVIDED AND INSTALLED AT NO ADDITIONAL COST.
9. THE CONTRACTOR SHALL PROVIDE THE ENGINEER WITH THE NAMES AND PHONE NUMBERS OF THEIR REPRESENTATIVES ON THE CONSTRUCTION SITE AND THEIR REPRESENTATIVE RESPONSIBLE FOR MAINTAINING ALL ASPECTS OF THE TEMPORARY TRAFFIC CONTROL PRIOR TO THE START OF WORK.
10. THE CONTRACTOR SHALL BE RESPONSIBLE FOR THE FIELD LOCATION OF ALL CONSTRUCTION SIGNING. THE CONTRACTOR MAY REQUEST THE ENGINEER TO FIELD VERIFY THE POSITIONS OF ANY SIGNS.
11. ACTUAL LOCATIONS FOR SIGNING SHOWN ON THE TEMPORARY SIGNING PLAN MAY BE ADJUSTED TO FIT FIELD CONDITIONS.
12. ALL SIGNING AND BARRICADES REQUIRED ON THIS PLAN, THE MUTCD, AND THE SSRBC SHALL BE CONSIDERED IN THE LUMP SUM UNIT PRICE BID FOR "TRAFFIC CONTROL AND PROTECTION, SPECIAL" EXCEPT FOR "TEMPORARY INFORMATION SIGNING" WHICH SHALL BE PAID FOR SEPARATELY ACCORDING TO DISTRICT DETAIL TC-22.

LEGEND

- SIGNALIZED INTERSECTION
- CONSTRUCTION ZONE
- CONSTRUCTION WARNING SIGN (NUMBER DENOTES TYPE)
- FLASHING LIGHT

WARNING SIGN LEGEND

- ① ROAD CONSTRUCTION AHEAD
 - ② NO LEFT TURN
 - ③ CHICAGO AVE.
 - ④ NORTHBOUND
 - ⑤ SOUTHBOUND
 - ⑥ TWO-WAY TRAFFIC
 - ⑦ TEMPORARY INFORMATION SIGN
 - ⑧* ONE LANE ROAD AHEAD
 - ⑨* FLAGGER
 - ⑩* NO LEFT TURN (RED AND BLACK ON WHITE)
 - ⑪ CHANGEABLE MESSAGE SIGN
- * - MOUNTED ON PORTABLE SIGN SUPPORTS FOR DAILY USE AS NEEDED

MAINTENANCE OF TRAFFIC LEGEND:

- ① TEMPORARY PAVEMENT MARKING LINE - 4" (DOUBLE YELLOW); TYPE III TAPE
- ② TEMPORARY PAVEMENT MARKING LINE - 4" (WHITE); TYPE III TAPE
- ③ DRUM TYPE BARRICADES AT 50' CENTERS ON TANGENTS, 25' ON TAPERS AND 10' ON RADII (OR SAW HORSE TYPE BARRICADES WITH SANDBAGS)

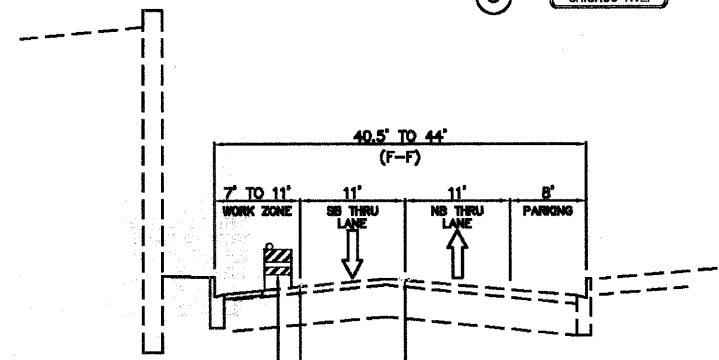
NOTES:

1. ALL "TEMPORARY PAVEMENT MARKING LINES" SHALL BE TYPE III TAPE
2. "TEMPORARY PAVEMENT MARKING LINE 24" (WHITE) SHALL BE INSTALLED AT INTERSECTIONS AS DIRECTED BY THE ENGINEER
3. TEMPORARY LETTERS AND SYMBOLS INSTALLED AT SOUTH BLVD. AND AT MAIN ST. SHALL BE INSTALLED ACCORDING TO DISTRICT 1 DETAIL TC 18
4. "PAVEMENT MARKING REMOVAL" SHALL BE PAID TO REMOVE CONFLICTING EXISTING PAVEMENT MARKINGS AS DIRECTED BY THE ENGINEER
5. "WORK ZONE PAVEMENT MARKING REMOVAL" SHALL BE PAID TO REMOVE TEMPORARY PAVEMENT MARKINGS

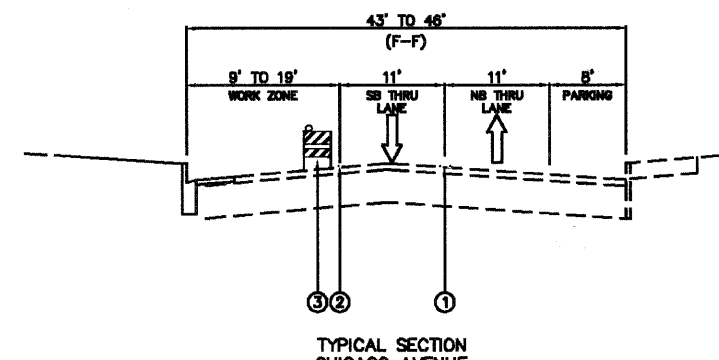
TEMPORARY TRAFFIC CONTROL STANDARD LIST:

- 701421-02 LANE CLOSURE, MULTILANE, DAY OPERATIONS ONLY
- 701501-05 URBAN LANE CLOSURE 2L 2W - UNDIVIDED
- 701701-07 URBAN LANE CLOSURE MULTILANE INTERSECTION
- 701801-04 URBAN LANE CLOSURE MULTILANE 1W OR 2W CROSSWALK OR SIDEWALK CLOSURE
- 701901-01 TRAFFIC CONTROL DEVICES

- TC 18 PAVEMENT MARKING LETTERS AND SYMBOLS FOR TRAFFIC STAGING
- TC 22 ARTERIAL ROAD INFORMATION SIGN



TYPICAL SECTION
CHICAGO AVENUE
STA. 31+24 TO 46+32



TYPICAL SECTION
CHICAGO AVENUE
STA. 46+32 TO 54+65

PLANS PREPARED BY:



CITY OF EVANSTON
PUBLIC WORKS DEPARTMENT TRANSPORTATION
AND ENGINEERING DIVISION
PHONE: (847) 699-2824

DESIGNED - DSM	REVISED - 7/1/11 PER IDOT
DRAWN - DSM	REVISED - 8/28/11 PER IDOT
CHECKED - SN, PC	REVISED -
DATE - 1 / 27 / 2011	REVISED -

STATE OF ILLINOIS
DEPARTMENT OF TRANSPORTATION

MAINTENANCE OF TRAFFIC PLAN
CHICAGO AVENUE

SCALE: N.T.S. SHEET NO. 14 OF 36 SHEETS STA. N.A. TO STA. N.A.

F.A.U. RTE.	SECTION	COUNTY	TOTAL SHEETS	SHEET NO.
2853	10-00259-00-LS	COOK	39	14
				CONTRACT NO. 63593
ILLINOIS FED. AID PROJECT				