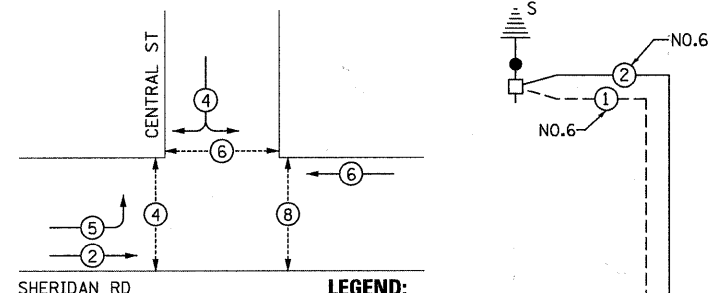


CONTROLLER SEQUENCE

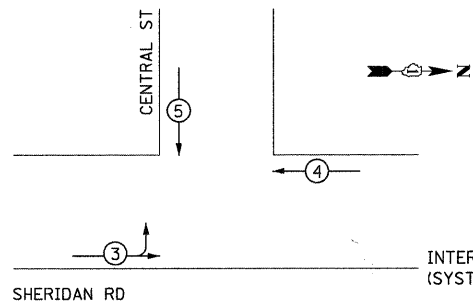


LEGEND:

- ⊗ DUAL ENTRY PHASE
- ⊛ SINGLE ENTRY PHASE
- ⊙ PEDESTRIAN PHASE
- * NUMBER REFERS TO ASSOCIATED PHASE

PHASE DESIGNATION DIAGRAM

EMERGENCY VEHICLE PREEMPTION SEQUENCE



PROPOSED EMERGENCY VEHICLE PREEMPTORS			
EMERGENCY VEHICLE PREEMPTOR	3	4	5
MOVEMENT	↑	←	↓

I.D.O.T. TRAFFIC SIGNAL INSTALLATION ELECTRICAL SERVICE REQUIREMENTS					TOTAL WATTAGE
TYPE	NO. OF LAMPSxINCAND.	WATTAGE	LEDx% OPERATION		
SIGNAL (RED)	9	17	0.50	76.50	
(YELLOW)	9	25	0.25	56.25	
(GREEN)	9	15	0.25	33.75	
ARROW	4	12	0.10	4.80	
PED. SIGNAL	6	25	1.00	150.00	
CONTROLLER	1	100	1.00	100.00	
ILLUM. SIGN	-	25	0.05	-	
FLASHER			0.50		
ENERGY COSTS TO:				TOTAL =	421.30

ILLINOIS DEPARTMENT OF TRANSPORTATION
 DIVISION OF HIGHWAY/DISTRICT 1
 201 WEST CENTER COURT/SCHAUMBURG, ILLINOIS 60196-1096
 ENERGY SUPPLY: CONTACT: LARRY SHANK
 PHONE: (847) 816-5465
 COMPANY: COMED



FILE NAME = 25_D23321-sh-t-0p012.dgn	USER NAME = USER8291	DESIGNED - THG/MPW	REVISED -
PLOT SCALE = 1:1	DATE = 08/16/11	DRAWN - THG/MPW	REVISED -
PLOT DATE = 9/9/2011		CHECKED - SRS	REVISED -
		DATE = 08/16/11	REVISED -

STATE OF ILLINOIS
 DEPARTMENT OF TRANSPORTATION

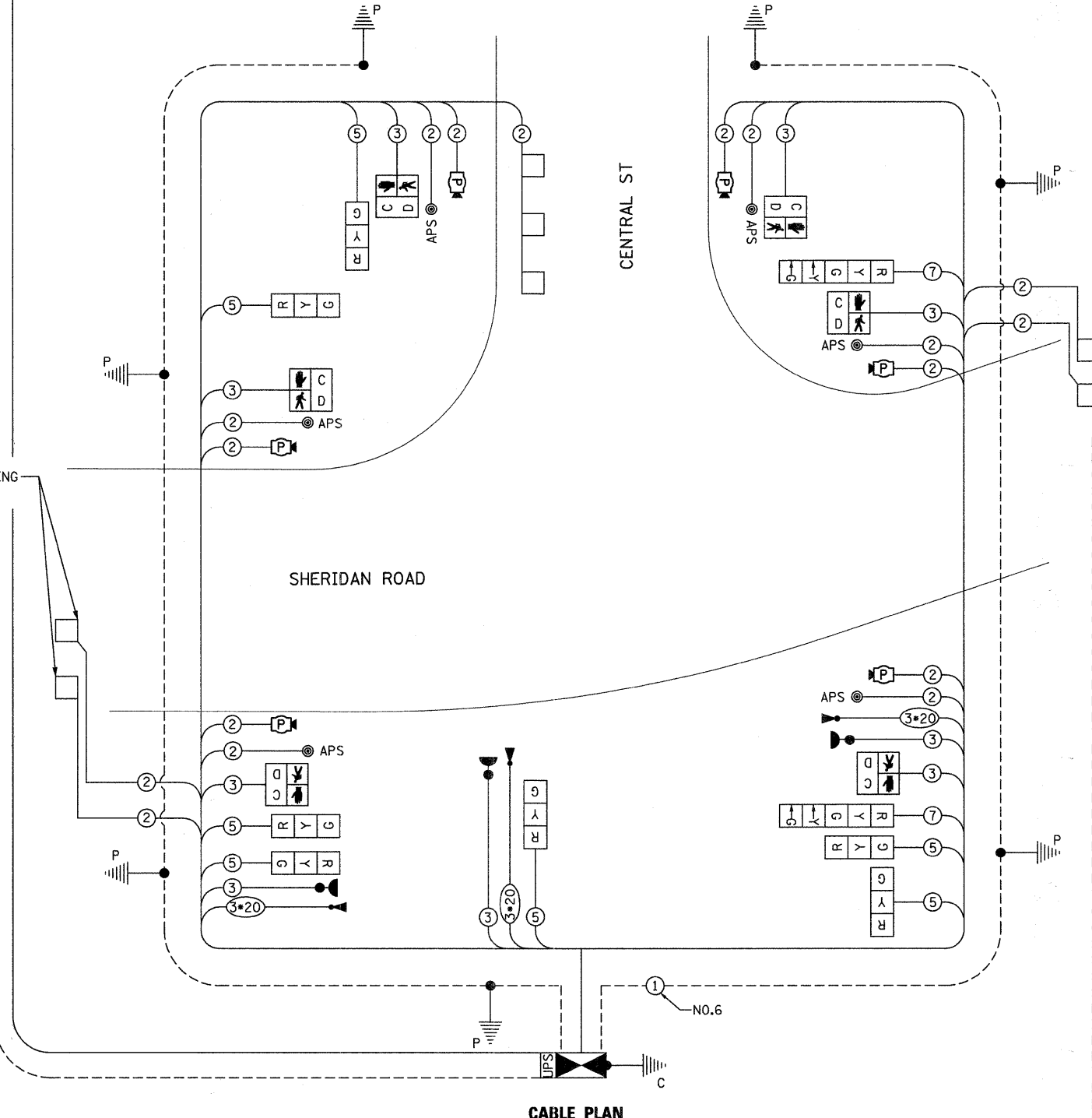
SCHEDULE OF QUANTITIES, CABLE PLAN, PHASE DESIGNATION
 DIAGRAM AND EMERGENCY VEHICLE PREEMPTION SEQUENCE
 SHERIDAN ROAD AND CENTRAL STREET

F.A.U. RTE.	SECTION	COUNTY	TOTAL SHEETS	SHEET NO.
2853	10-00258-00TL	COOK	38	25
CONTRACT NO. 63630			ILLINOIS FED. AID PROJECT	

RESTORATION OF WORK AREA
 RESTORATION OF THE TRAFFIC SIGNAL WORK AREA SHALL BE INCIDENTAL TO THE RELATED PAY ITEM SUCH AS FOUNDATION, CONDUIT HANDHOLE, TRENCH AND BACKFILL, ETC., AND NO EXTRA COMPENSATION SHALL BE ALLOWED. ALL ROADWAY SURFACES SUCH AS SHOULDERS, MEDIANS, SIDEWALKS, PAVEMENT, ETC. SHALL BE REPLACED IN KIND, ALL DAMAGE TO MOWED LAWNS SHALL BE REPLACED WITH AN APPROVED SOD, AND ALL DAMAGE TO UNMOWED FIELDS SHALL BE SEEDED IN ACCORDANCE WITH STANDARD SPECIFICATIONS 252 AND 250 RESPECTIVELY.

NOTE:
 THE TRAFFIC SIGNAL CONTROLLER EQUIPMENT FOR THIS PROJECT SHALL BE "EAGLE" TO MATCH THE EXISTING ADJACENT SYSTEM.

THE END OF THE TRACER CABLE SHALL BE CONTINUOUS AND EXTEND INTO THE CONTROLLER CABINET.



INTERSECTION AND SAMPLING (SYSTEM) DETECTORS

SCHEDULE OF QUANTITIES

ITEM	UNIT TOTAL
PORTLAND CEMENT CONCRETE SIDEWALK 5 INCH	SQ FT 364
DETECTABLE WARNINGS	SQ FT 86
COMBINATION CURB AND GUTTER REMOVAL	FOOT 49
SIDEWALK REMOVAL	SQ FT 364
COMBINATION CONCRETE CURB AND GUTTER, TYPE B-6.12	FOOT 49
SERVICE INSTALLATION - POLE MOUNTED	EACH 1
CONDUIT IN TRENCH, 2" DIA., GALVANIZED STEEL	FOOT 568
CONDUIT IN TRENCH, 2 1/2" DIA., GALVANIZED STEEL	FOOT 27
CONDUIT IN TRENCH, 3" DIA., GALVANIZED STEEL	FOOT 10
CONDUIT IN TRENCH, 4" DIA., GALVANIZED STEEL	FOOT 22
CONDUIT IN TRENCH, 5" DIA., GALVANIZED STEEL	FOOT 10
CONDUIT PUSHED, 2" DIA., GALVANIZED STEEL	FOOT 299
CONDUIT PUSHED, 2 1/2" DIA., GALVANIZED STEEL	FOOT 36
CONDUIT PUSHED, 3" DIA., GALVANIZED STEEL	FOOT 18
CONDUIT PUSHED, 4" DIA., GALVANIZED STEEL	FOOT 151
HANDHOLE	EACH 6
HEAVY-DUTY HANDHOLE	EACH 1
DOUBLE HANDHOLE	EACH 1
TRENCH AND BACKFILL FOR ELECTRICAL WORK	FOOT 695
FULL-ACTUATED CONTROLLER AND TYPE IV CABINET	EACH 1
UNINTERRUPTIBLE POWER SUPPLY	EACH 1
ELECTRIC CABLE IN CONDUIT, SIGNAL NO. 14 2C	FOOT 1,149
ELECTRIC CABLE IN CONDUIT, SIGNAL NO. 14 3C	FOOT 706
ELECTRIC CABLE IN CONDUIT, SIGNAL NO. 14 5C	FOOT 575
ELECTRIC CABLE IN CONDUIT, SIGNAL NO. 14 7C	FOOT 175
ELECTRIC CABLE IN CONDUIT, LEAD-IN, NO. 14 1 PAIR	FOOT 833
ELECTRIC CABLE IN CONDUIT, SERVICE, NO. 6 2 C	FOOT 329
ELECTRIC CABLE IN CONDUIT, EQUIPMENT GROUNDING CONDUCTOR, NO. 6 1C	FOOT 509
TRAFFIC SIGNAL POST, 18 FT.	EACH 7
CONCRETE FOUNDATION, TYPE A	FOOT 28
CONCRETE FOUNDATION, TYPE C	FOOT 4
SIGNAL HEAD, LED, 1-FACE, 3-SECTION, BRACKET MOUNTED	EACH 4
SIGNAL HEAD, LED, 1-FACE, 5-SECTION, BRACKET MOUNTED	EACH 1
SIGNAL HEAD, LED, 2-FACE, 3-SECTION, BRACKET MOUNTED	EACH 1
SIGNAL HEAD, LED, 2-FACE, 1-3 SECTION, 1-5 SECTION, BRACKET MOUNTED	EACH 1
PEDESTRIAN SIGNAL HEAD, LED, 1-FACE, BRACKET MOUNTED WITH COUNTDOWN TIMER	EACH 6
INDUCTIVE LOOP DETECTOR	EACH 4
DETECTOR LOOP, TYPE I	FOOT 255
LIGHT DETECTOR, SPECIAL	EACH 3
TEMPORARY TRAFFIC SIGNAL INSTALLATION	EACH 1
REMOVE EXISTING TRAFFIC SIGNAL EQUIPMENT	EACH 1
REMOVE EXISTING HANDHOLE	EACH 2
REMOVE EXISTING CONCRETE FOUNDATION	EACH 5
ELECTRIC CABLE IN CONDUIT NO. 20 3/C, TWISTED, SHIELDED	FOOT 166
MICROWAVE DETECTION UNIT	EACH 6
ACCESSIBLE PEDESTRIAN SIGNALS	EACH 6
VIBROTACTILE FEATURE	EACH 6
LIGHT DETECTOR AMPLIFIER	EACH 1