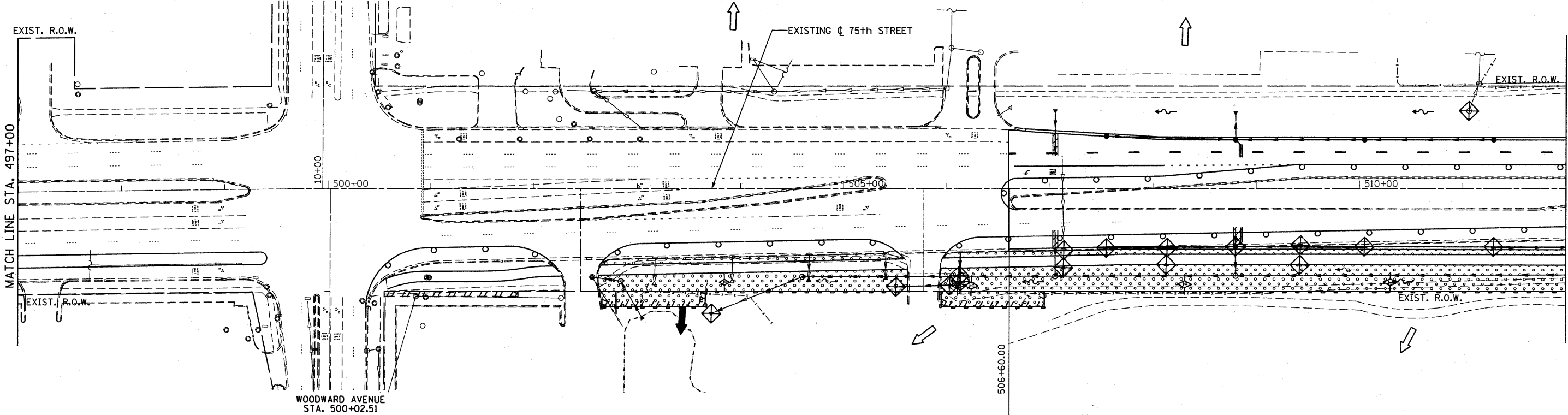


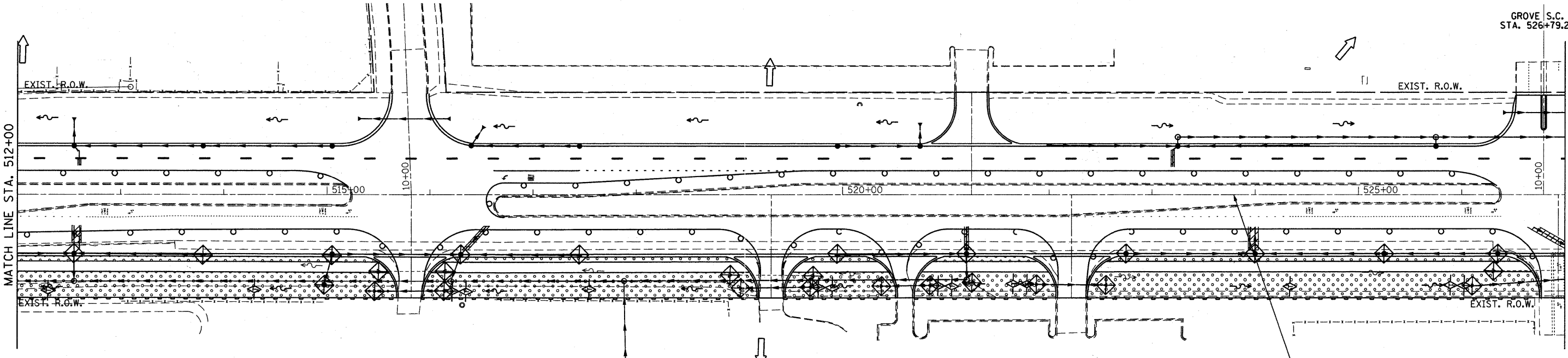


WOODWARD AVENUE
STA. 499+95.00



ROADWAY RESURFACING ROADWAY WIDENING
AND RESURFACING

DEVERAUX ROAD
STA. 515+81.72



GROVE S.C.
STA. 526+79.28

- LEGEND**
- DITCH FLOW
 - INLET FILTERS
 - INLET AND PIPE PROTECTION (SEE NOTE)
 - TEMPORARY EROSION CONTROL SEEDING
 - TEMPORARY DITCH CHECK
 - PERIMETER EROSION BARRIER

NOTE: INLET AND PIPE PROTECTION SHALL BE PROVIDED AT ALL CULVERT AND FLARED END SECTION INFLOW AND OUTFALLS.

FILE NAME = F:\451-938 75th st dupage dot\engineering\drwg\451-938-ent-eros2.dgn



USER NAME = gellwanger
PLOT SCALE = 50.0000' / IN.
PLOT DATE = 9/7/2011

DESIGNED - GJE	REVISED -
DRAWN - DC	REVISED -
CHECKED - JP	REVISED -
DATE - 9/08/11	REVISED -

STATE OF ILLINOIS
DEPARTMENT OF TRANSPORTATION

EROSION AND SEDIMENT CONTROL
STAGE 2

SCALE: 1"=50' SHEET NO. 70 OF 198 SHEETS STA. 497+00 TO STA. 527+00

F.A.P. RTE.	SECTION	COUNTY	TOTAL SHEETS	SHEET NO.
0369	07-00232-04-WR	DuPAGE	198	70
CONTRACT NO. 63632			ILLINOIS FED. AID PROJECT	