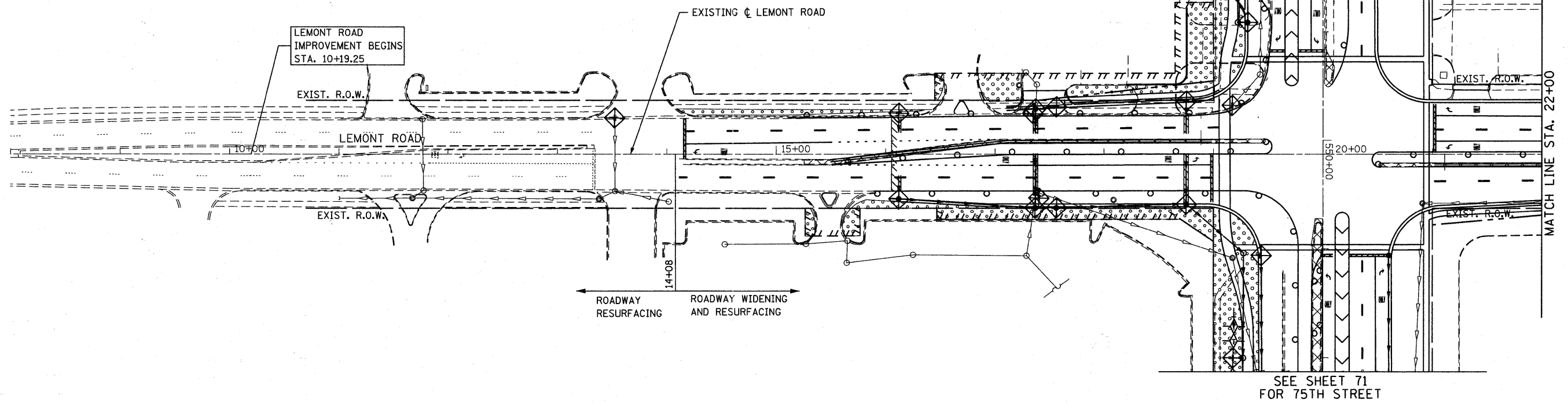
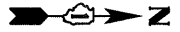
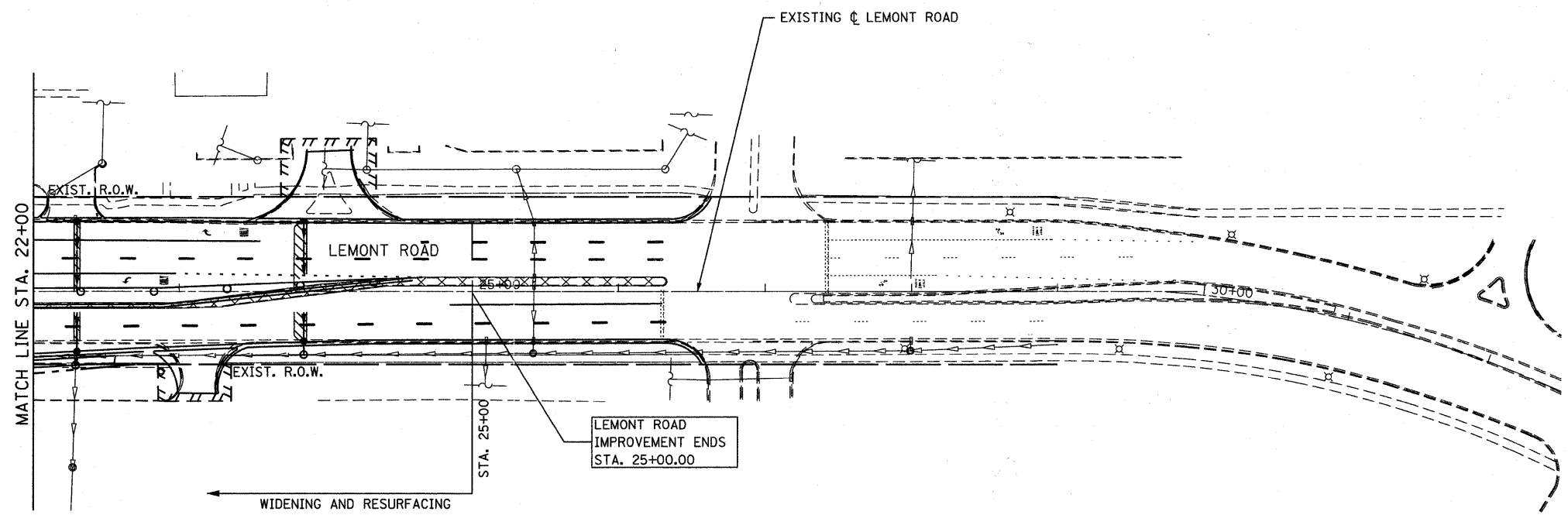


SEE SHEET 71
FOR 75TH STREET



SEE SHEET 71
FOR 75TH STREET



- LEGEND**
- DITCH FLOW
 - INLET FILTERS
 - INLET AND PIPE PROTECTION (SEE NOTE)
 - TEMPORARY EROSION CONTROL SEEDING
 - TEMPORARY DITCH CHECK
 - PERIMETER EROSION BARRIER

NOTE: INLET AND PIPE PROTECTION SHALL BE PROVIDED AT ALL CULVERT AND FLARED END SECTION INFLOW AND OUTFALLS.

FILE NAME = F:\451-030 75th st dupage dot\engineering\drawings\451-030-ahv-eros2.dgn

B Bollinger, Lach & Associates, Inc.
ITASCA, ILLINOIS

USER NAME = gellwenger	DESIGNED - GJE	REVISED -
PLOT SCALE = 50.0000' / IN.	DRAWN - DC	REVISED -
PLOT DATE = 9/7/2011	CHECKED - JP	REVISED -
	DATE - 9/08/11	REVISED -

**STATE OF ILLINOIS
DEPARTMENT OF TRANSPORTATION**

EROSION AND SEDIMENT CONTROL STAGE 2	
SCALE: 1"=50'	SHEET NO. 73 OF 198 SHEETS
STA. _____	TO STA. _____

F.A.P. RTE. 0369	SECTION 07-00232-04-WR	COUNTY	TOTAL SHEETS 198	SHEET NO. 73
CONTRACT NO. 63632			ILLINOIS FED. AID PROJECT	