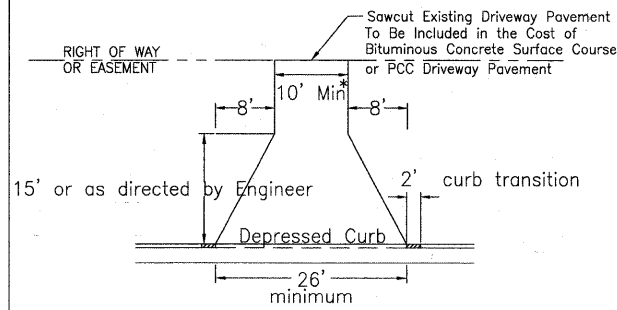


PRIVATE ENTRANCE DETAIL



BITUMINOUS DRIVEWAY

- 1" HMA Surface Course
- 2" HMA Base Course
- 8" Aggregate Base Course, Type B

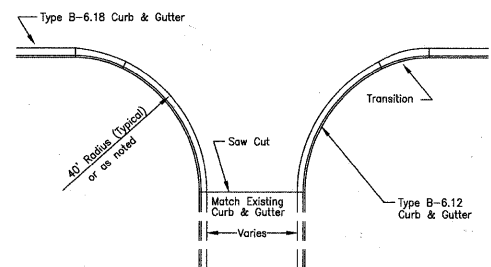
PCC DRIVEWAY

- 7" PCC Driveway Pavement
- 6" Sub Base Granular Material, Type B

*20' max or match existing

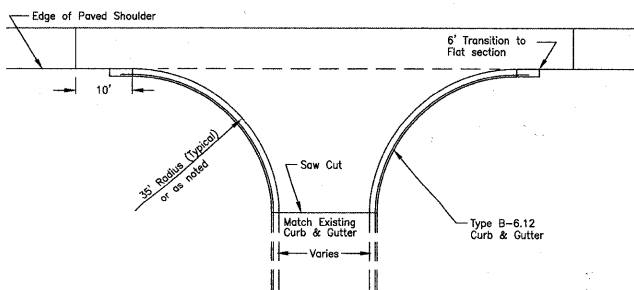
TYPICAL CURBED SIDE ROAD APPROACH

CURBED HIGHWAY



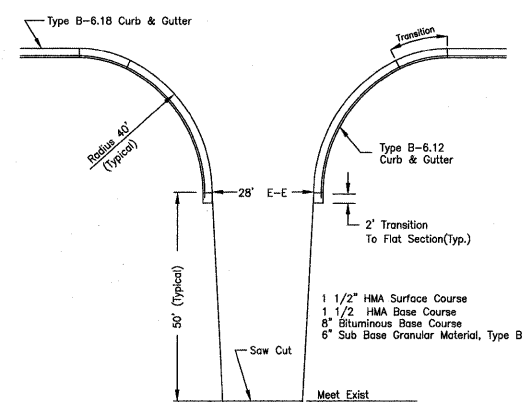
- 1 1/2" HMA Surface Course
- 1 1/2" HMA Base Course
- 8" Bituminous Base Course
- 6" Sub Base Granular Material, Type B

UNCURBED HIGHWAY



- 1 1/2" HMA Surface Course
- 1 1/2" HMA Base Course
- 8" Bituminous Base Course
- 6" Sub Base Granular Material, Type B

TYPICAL UNCURBED SIDE ROAD APPROACH



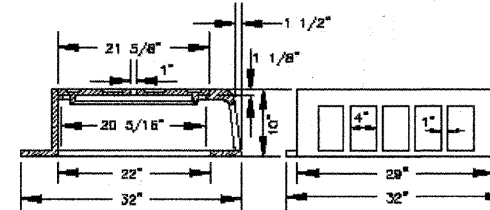
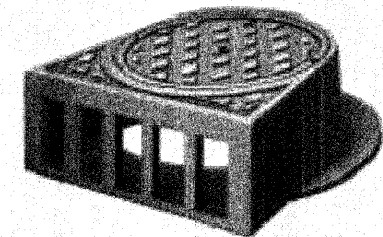
- 1 1/2" HMA Surface Course
- 1 1/2" HMA Base Course
- 8" Bituminous Base Course
- 6" Sub Base Granular Material, Type B

SAG FRAME & LID

Bag Frame and Lid shall be Neenah Foundry Company #R-3305 or equal.

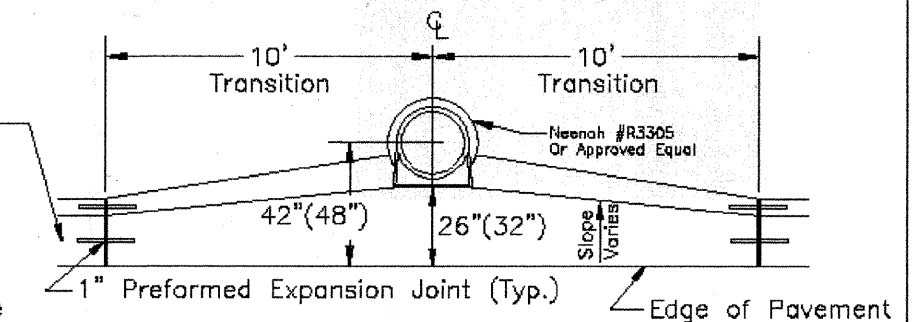
R-3305 Catch Basin Frame and Lid

For behind-the-curb construction.
Heavy-Duty
Total weight 887 Kilograms (425 lbs.)



PLAN VIEW

Type B-6.18(B-6.24) Curb & Gutter (Typ.)



PROFILE VIEW

Note: Plan and profile not to scale

FILE NAME = F:\451-030 75th St Dup Page DOT\ENGINEERING\DRAWINGS\451-030-ahh-courty-detail.dwg



USER NAME = alerson	DESIGNED - GJE	REVISED -
PLOT SCALE = 50.0000' / IN.	DRAWN - DC	REVISED -
PLOT DATE = 9/13/2011	CHECKED - JP	REVISED -
	DATE - 9/08/11	REVISED -

**STATE OF ILLINOIS
DEPARTMENT OF TRANSPORTATION**

**DUPAGE COUNTY DETAILS
75TH STREET**

SCALE: NONE SHEET NO. 135 OF 198 SHEETS STA. TO STA.

F.A.P. RTE.	SECTION	COUNTY	TOTAL SHEETS	SHEET NO.
0369	07-00232-04-WR	DuPAGE	198	135
CONTRACT NO. 63632				
ILLINOIS FED. AID PROJECT				