

BITUMINOUS DRIVEWAY

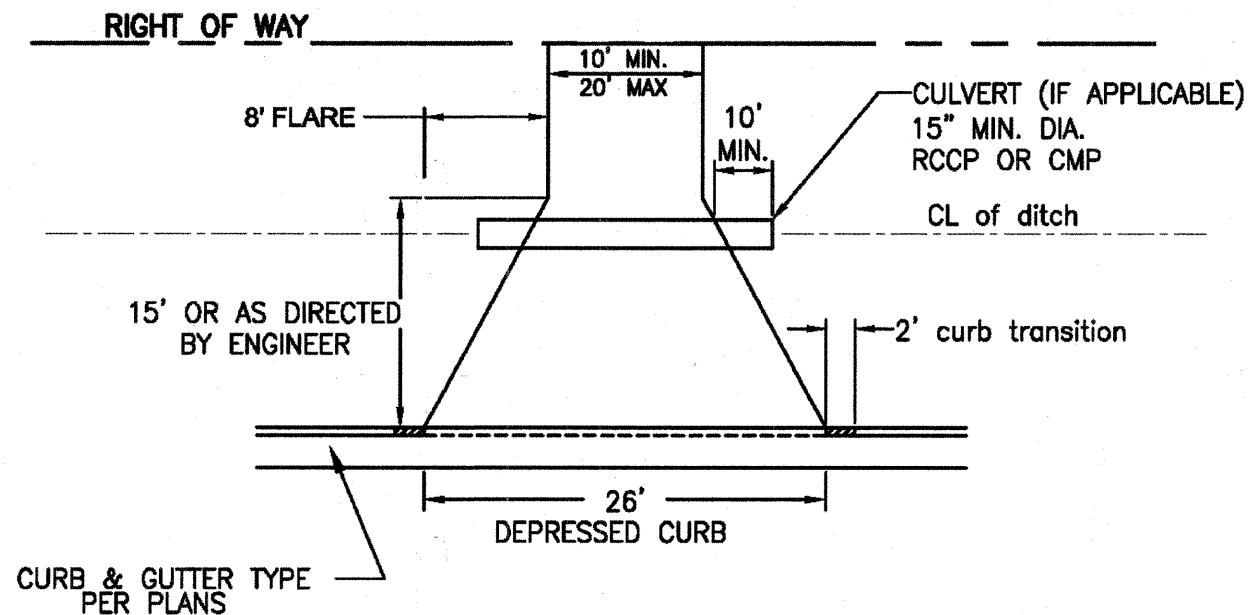
- 1 1/2" HOT MIX ASPHALT SURFACE COURSE N50
- 8" HOT MIX ASPHALT BASE COURSE,
- 6" AGGREGATE BASE COURSE, TYPE B

PCC DRIVEWAY

- 8" PCC DRIVEWAY PAVEMENT
- 6" AGGREGATE BASE COURSE, TYPE B

COMMERCIAL DRIVEWAY DETAIL

**DUPAGE COUNTY DIVISION OF TRANSPORTATION
PRIVATE ENTRANCE DETAIL**



BITUMINOUS DRIVEWAY

- 8" Aggregate Base Course, Type B
- 2" Bituminous Concrete Binder Course (Superpave Mix)
- 1" Bituminous Concrete Surface Course (Superpave Mix)

PCC DRIVEWAY

- 7" PCC Driveway Pavement (Class PV)
- 8" Aggregate Base Course, Type B

\\... \Driveway - residential.dwg
09-23-08

FILE NAME = F:\451-030-75th St Dupage DOT\ENGINEERING\DRAWINGS\451-030-htr-county-detail.dgn



USER NAME = gellwanger	DESIGNED - GJE	REVISED -
PLOT SCALE = 50,0000' / IN.	DRAWN - DC	REVISED -
PLOT DATE = 9/7/2011	CHECKED - JP	REVISED -
	DATE - 9/08/11	REVISED -

STATE OF ILLINOIS
DEPARTMENT OF TRANSPORTATION

DUPAGE COUNTY DETAILS
75TH STREET

SCALE: NONE SHEET NO. 136 OF 198 SHEETS STA. TO STA.

F.A.P. RTE.	SECTION	COUNTY	TOTAL SHEETS	SHEET NO.
0369	07-00232-04-WR	DuPAGE	198	136
CONTRACT NO. 63632			ILLINOIS FED. AID PROJECT	