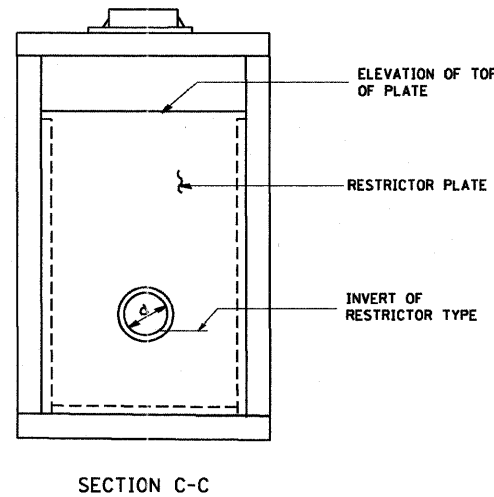
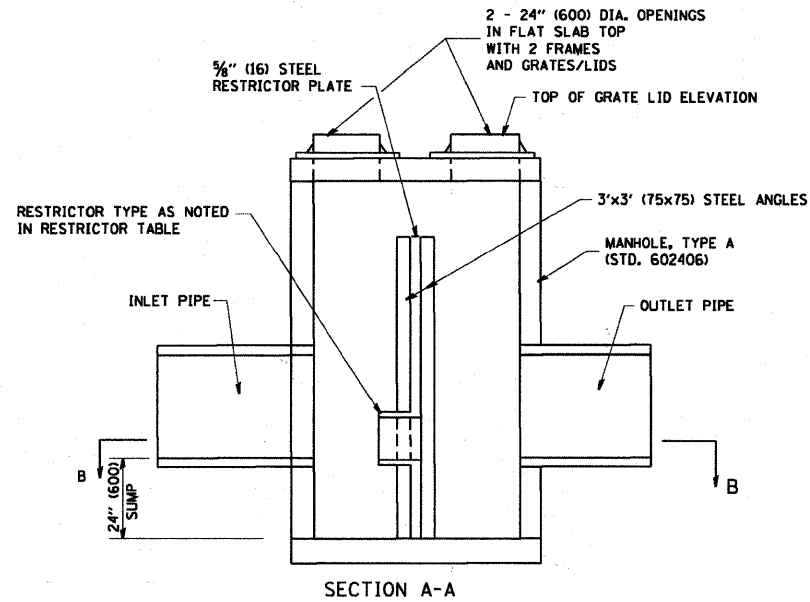
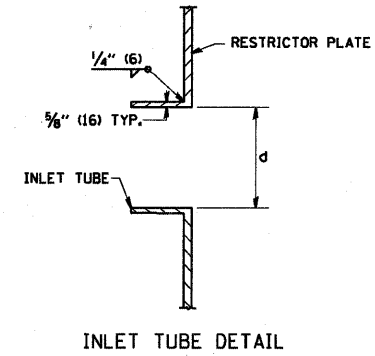
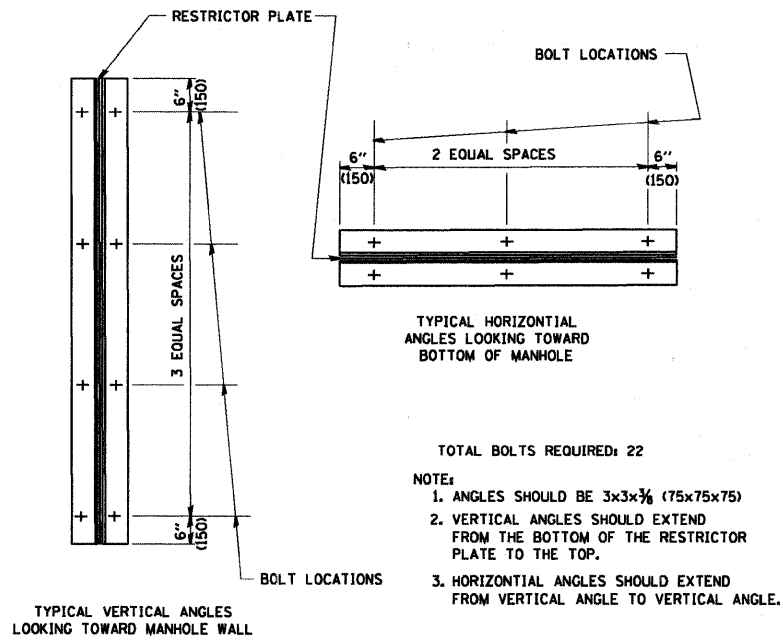


- NOTES:
1. ALL STEEL ANGLES AND PLATES TO BE GALVANIZED AFTER FABRICATION.
 2. ALL RESTRICTOR PLATES, ANGLES AND HARDWARE TO BE INCLUDED IN THE COST OF THE MANHOLE.
 3. BASIS OF PAYMENT: "MANHOLES, TYPE A, 6 FT. (1.8 m)-DIAMETER, TYPE 1 FRAME, CLOSED LID, RESTRICTOR PLATE" EACH



STATION	MANHOLE DIAMETER	FRAME AND GRATE	RESTRICTOR TYPE	INSIDE RESTRICTOR TYPE DIAMETER in. (mm) (d)	INVERT OF RESTRICTOR TYPE	ELEVATION OF TOP OF PLATE OVERFLOW
527+32.95	6"	CL	2	4	772.79	766.46
529+74.98	6"	CL	2	2.14	772.03	775.86
	6"	CL	2	6.9	773.71	775.86
532+03.14	6"	CL	2	7.4	769.94	774
540+37.95	6"	CL	2	7.9	763.35	767.81
541+57.71	6"	6" F&G	2	24	763.17	766.8
542+66.01	6"	CL	2	6.7	763.63	768.88
559+33.00	6"	CL	2	11.5	760.96	765.59
	6"	CL	2	24	763.52	765.59
560+04.04	6"	CL	2	9	761	765.87
	6"	CL	2	1.61	763.17	765.87



RESTRICTOR TYPE					
1	2	3	4	5	6
RE-ENTRANT TUBE	SHARP EDGED	SQUARE EDGED	RE-ENTRANT TUBE	SQUARE EDGED	ROUNDED
LENGTH: 1/2 TO 1 DIA.		STREAM CLEARS SIDES	LENGTH: 2-1/2 DIA.	LENGTH: 2-1/2 DIA.	
C=.52	C=.61	C=.61	C=.73	C=.82	C=.98

VALUES OF "C" FOR CIRCULAR AND SQUARE ORIFICES

ALL DIMENSIONS ARE IN INCHES (MILLIMETERS) UNLESS OTHERWISE SHOWN.

FILE NAME = W:\disttd\22x34\bd12.dgn	USER NAME = geglionbt	DESIGNED - R. SHAH	REVISED - R. SHAH 10-25-94	STATE OF ILLINOIS DEPARTMENT OF TRANSPORTATION	MANHOLE WITH RESTRICTOR PLATE	F.A. RTE.	SECTION	COUNTY	TOTAL SHEETS	SHEET NO.
	PLOT SCALE = 50.000' / IN.	DRAWN -	REVISED - E. GOMEZ 08-28-00			07-00232-04-DR	DUPAGE	198	140	
	CHECKED -	REVISOR - M. GOMEZ 01-08-01				BD600-04	(BD-12)	CONTRACT NO.		
	PLOT DATE = 1/4/2008	DATE - 09-09-94	REVISED -			FED. ROAD DIST. NO. 1		ILLINOIS FED. AID PROJECT		
				SCALE: NONE	SHEET NO. 1 OF 1 SHEETS	STA.	TO STA.			