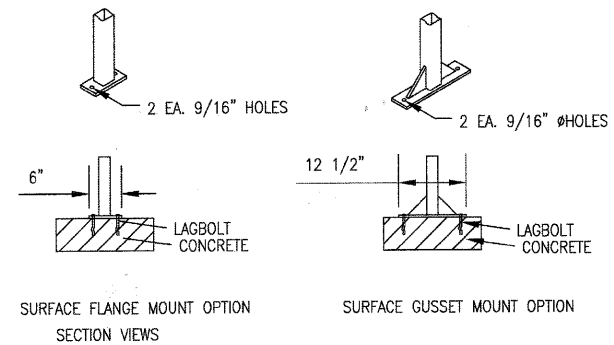
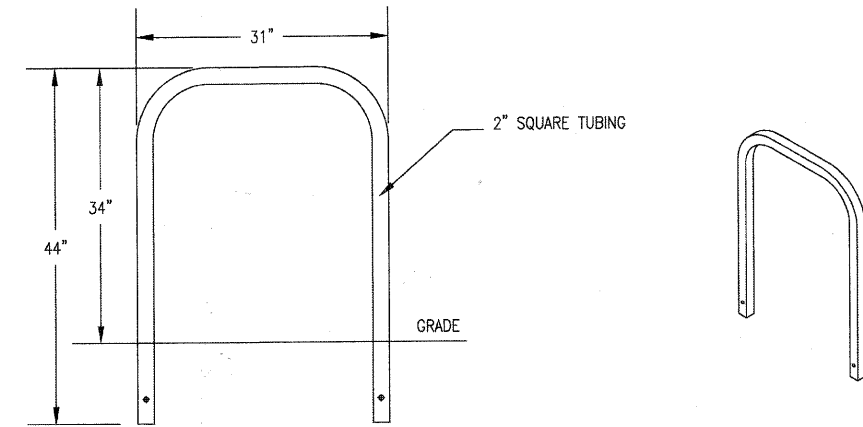
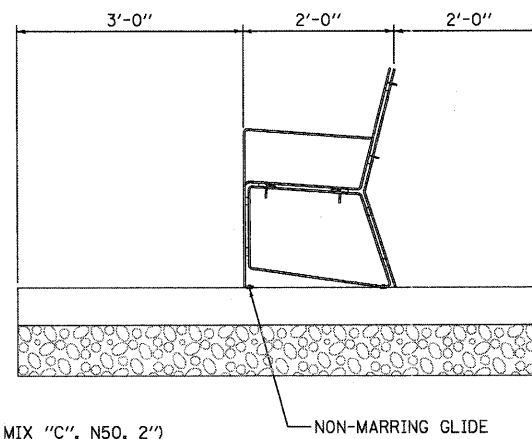
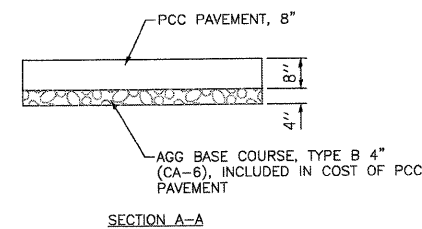


**PARK BENCH AND PAD DETAIL**

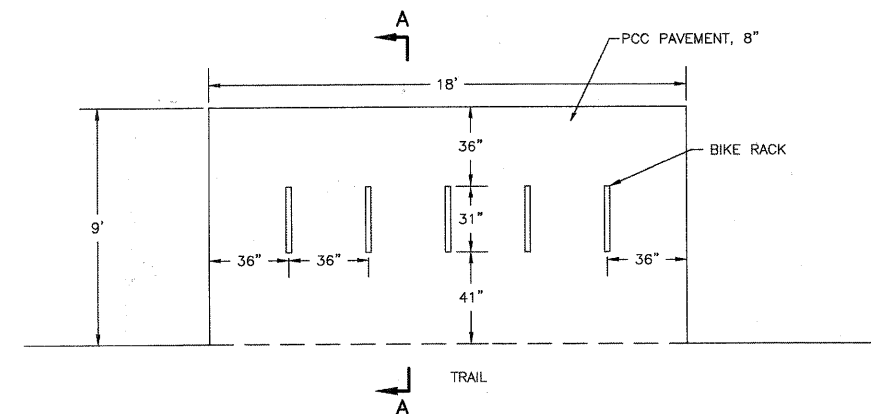


- NOTES:
1. INSTALL BIKE RACKS ACCORDING TO MANUFACTURER'S SPECIFICATIONS.
  2. COLOR SHALL BE BLACK (FINISH), SEE MANUFACTURER'S SPECIFICATIONS.
  3. SEE SITE PLAN FOR LOCATION.

**BICYCLE RACK DETAIL**



SECTION A-A



**BICYCLE RACK LAYOUT PLAN**

FILE NAME = W:\Projects\2011\10131\_Spec\mfr\2011\10131\_Spec\mfr\2011\10131.dgn

**WBK** WILLIS BURKE KELSEY ASSOCIATES LTD.  
110 West Main Street, Suite 201  
St. Charles, Illinois 60174

USER NAME = nperris	DESIGNED - PJF	REVISED -
PLOT SCALE =	DRAWN - NDP	REVISED -
PLOT DATE = 8/30/2011	CHECKED - PDK	REVISED -
	DATE - 8/29/11	REVISED -

**STATE OF ILLINOIS  
DEPARTMENT OF TRANSPORTATION**

**MCLEAN BLVD ENVIRONMENTAL ADAPTIVE MANAGEMENT PLANS  
GENERAL DETAILS**

SCALE: SHEET NO. 22 OF 54 SHEETS STA. TO STA.

F.A.P. RTE.	SECTION	COUNTY	TOTAL SHEETS	SHEET NO.
361	06-00214-11-LS	KANE	54	22
CONTRACT NO. 63638				
FED. ROAD DIST. NO. ILLINOIS FED. AID PROJECT				