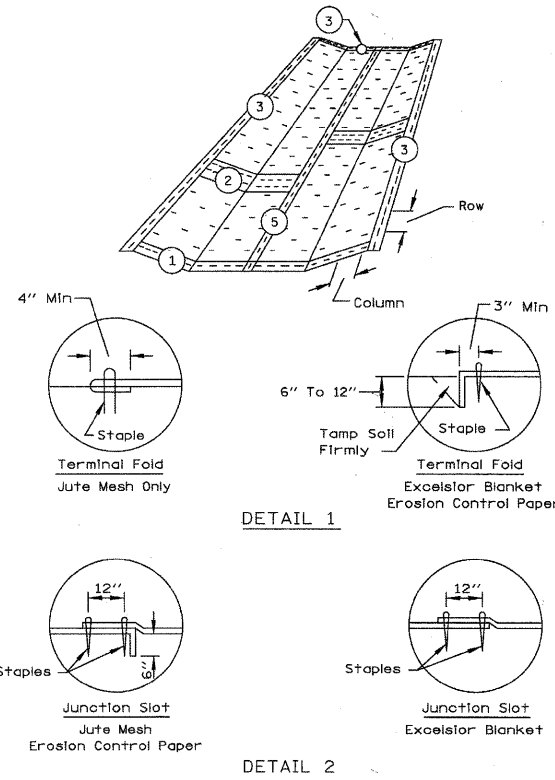


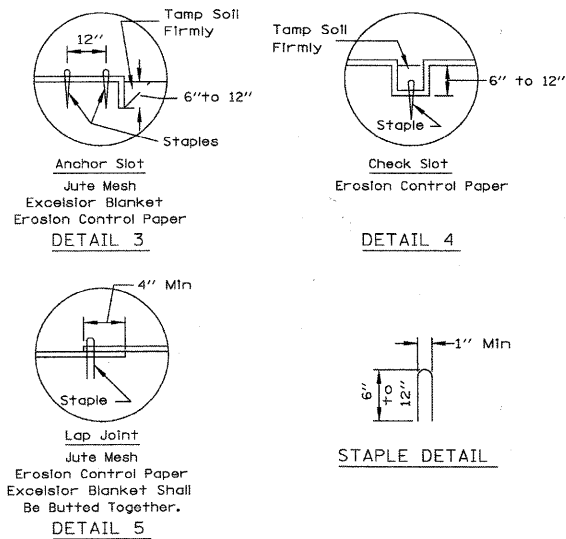
EROSION CONTROL BLANKET PLAN



REFERENCE	NEW STEARNS ROAD	STANDARD DWG. NO.	IL-530
Project	Designed MSK	Date	
Checked JWW	Date	DATE	5-24-94
Approved	Date		



EROSION CONTROL BLANKET PLAN



- NOTES:
- On erosion control paper, check slots, in ditch channel shall be spaced so that one occurs within each 50' on slopes of more than 4% and less than 6%. On slopes of 6% or more, they shall be spaced so that one occurs within each 25'.
 - Staples are to be placed alternately, in columns approximately 2' apart and in rows approximately 3' apart. Approximately 175 staples are required per 4' x 225' roll of material and 125 staples are required per 4' x 150' roll of material.
 - Erosion control material shall be placed loosely over ground surface. Do not stretch.
 - All terminal ends and transverse laps shall be stapled at approximately 12" intervals.

REFERENCE	NEW STEARNS ROAD	STANDARD DWG. NO.	IL-530
Project	Designed MSK	Date	
Checked JWW	Date	DATE	3-1-95
Approved	Date		



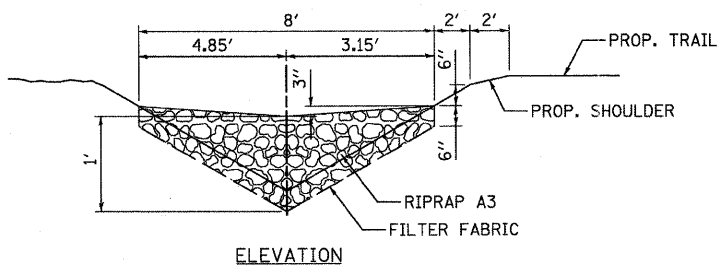
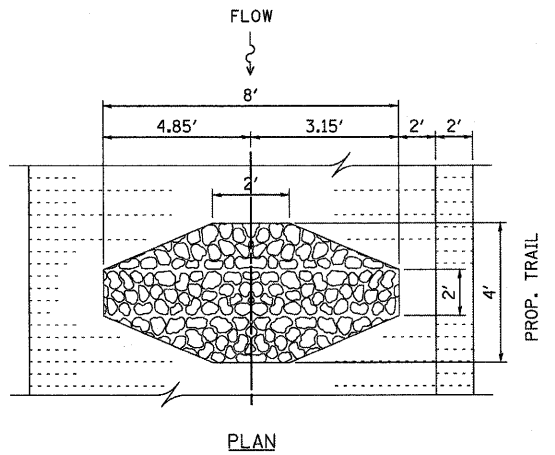
USER NAME = nparris
PLOT SCALE =
PLOT DATE = 8/30/2011

DESIGNED - PJF	REVISED -
DRAWN - NDP	REVISED -
CHECKED - PDK	REVISED -
DATE - 8/29/11	REVISED -

STATE OF ILLINOIS
DEPARTMENT OF TRANSPORTATION

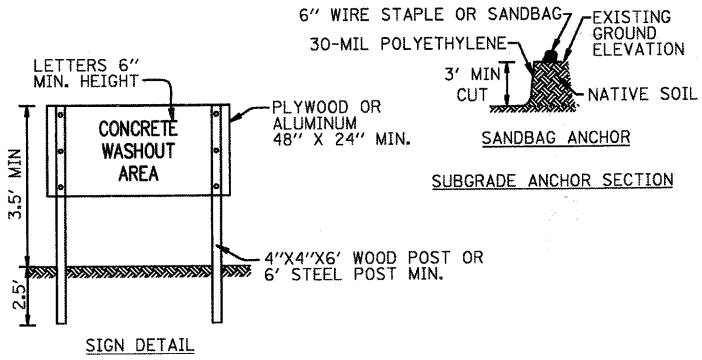
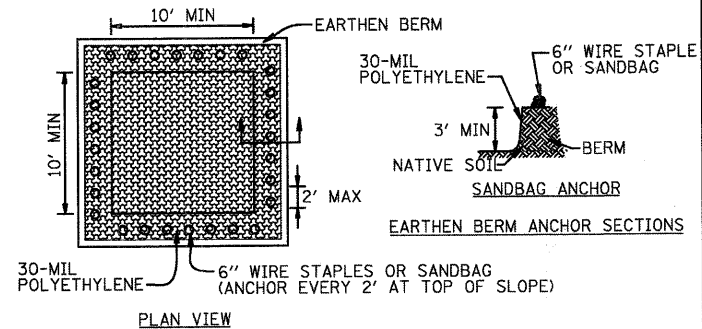
MCLEAN BLVD ENVIRONMENTAL ADAPTIVE MANAGEMENT PLANS
SOIL EROSION & SEDIMENT CONTROL DETAILS

F.A.P. RTE.	SECTION	COUNTY	TOTAL SHEETS	SHEET NO.
361	06-00214-11-LS	KANE	54	37
CONTRACT NO. 63638				
FED. ROAD DIST. NO. ILLINOIS FED. AID PROJECT				



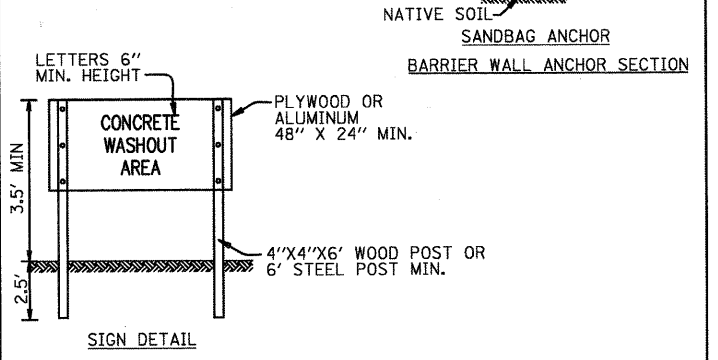
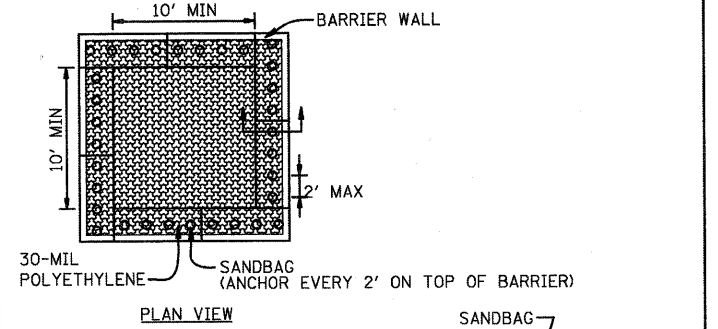
AGGREGATE DITCH CHECK

N.T.S.



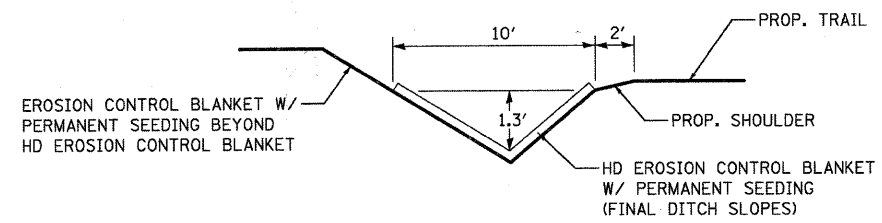
- NOTES:
- MAINTAINING TEMPORARY CONCRETE WASHOUT FACILITIES SHALL INCLUDE REMOVING AND DISPOSING OF HARDENED CONCRETE AND/OR SLURRY AND RETURNING THE FACILITIES TO A FUNCTIONAL CONDITION.
 - FACILITY SHALL BE CLEANED OR RECONSTRUCTED IN A NEW AREA ONCE WASHOUT BECOMES TWO-THIRDS FULL.

TEMPORARY CONCRETE WASHOUT FACILITY - EARTHEN TYPE



- NOTES:
- MAINTAINING TEMPORARY CONCRETE WASHOUT FACILITIES SHALL INCLUDE REMOVING AND DISPOSING OF HARDENED CONCRETE AND/OR SLURRY AND RETURNING THE FACILITIES TO A FUNCTIONAL CONDITION.
 - FACILITY SHALL BE CLEANED OR RECONSTRUCTED IN A NEW AREA ONCE WASHOUT BECOMES TWO-THIRDS FULL.

TEMPORARY CONCRETE WASHOUT FACILITY - BARRIER WALL



HEAVY DUTY EROSION CONTROL BLANKET

ON ALL DITCHES ≥ 5.0%

FILE NAME = W:\Projects\2011\110131_StearnsRd\2011\08.dgn