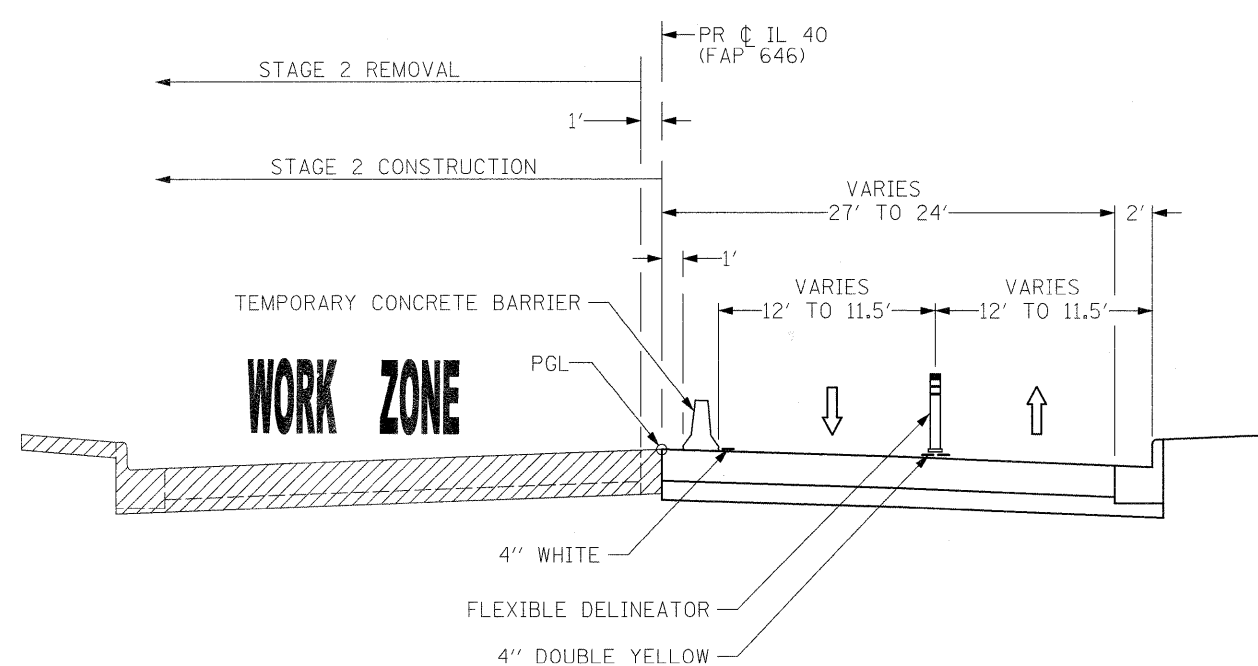
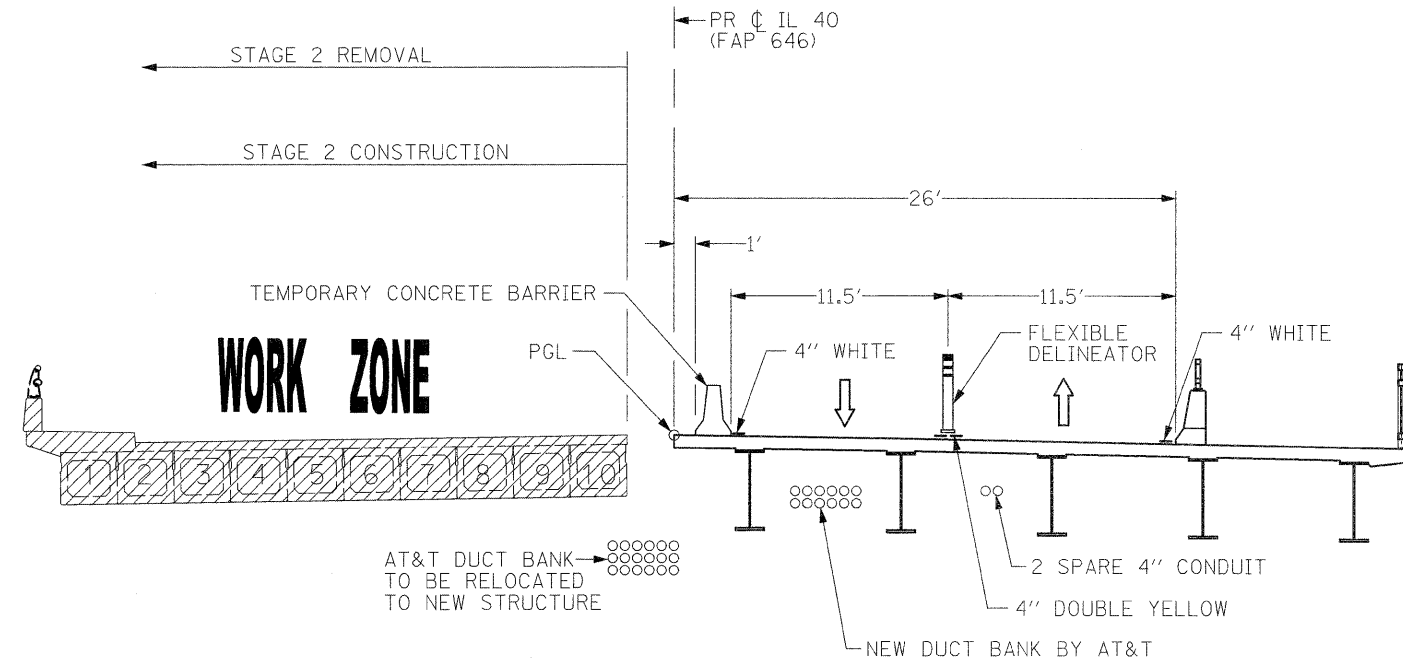


STAGE 2 TYPICAL SECTION (ROAD)
 STA 715+50 TO STA 720+00 - LOOKING NORTH

STAGE 2 TYPICAL SECTION (ROAD)
 STA 720+50 TO STA 722+76 - LOOKING NORTH



STAGE 2 TYPICAL SECTION (ROAD)
 STA 722+76 TO STA 724+62 - LOOKING NORTH



STAGE 2 TYPICAL SECTION (BRIDGE)
 STA 724+62 TO STA 734+96 - LOOKING NORTH

FILE NAME =	USER NAME = grantpm	DESIGNED -	REVISED -	STATE OF ILLINOIS DEPARTMENT OF TRANSPORTATION	IL 40 MAINTENANCE OF TRAFFIC - TYPICAL SECTIONS	F.A.P. RTE.	SECTION	COUNTY	TOTAL SHEETS	SHEET NO.	
ct:\pvt\work\pvt\dot\grantpm\dms0258\0264888-shit-staging5.dgn	DRAWN - DMW	REVIS	REVIS			646	IB-2	WHITESIDE	257	32	
PLOT SCALE = N/A	CHECKED -	REVIS	REVIS			CONTRACT NO. 64880					
PLOT DATE = Wed Aug 31 08:43:21 2011	DATE = 2-22-2010	REVIS	REVIS			SCALE: N/A	SHEET NO. 5 OF 35 SHEETS	STA. TO STA.	FED. ROAD DIST. NO.	ILLINOIS FED. AID PROJECT	