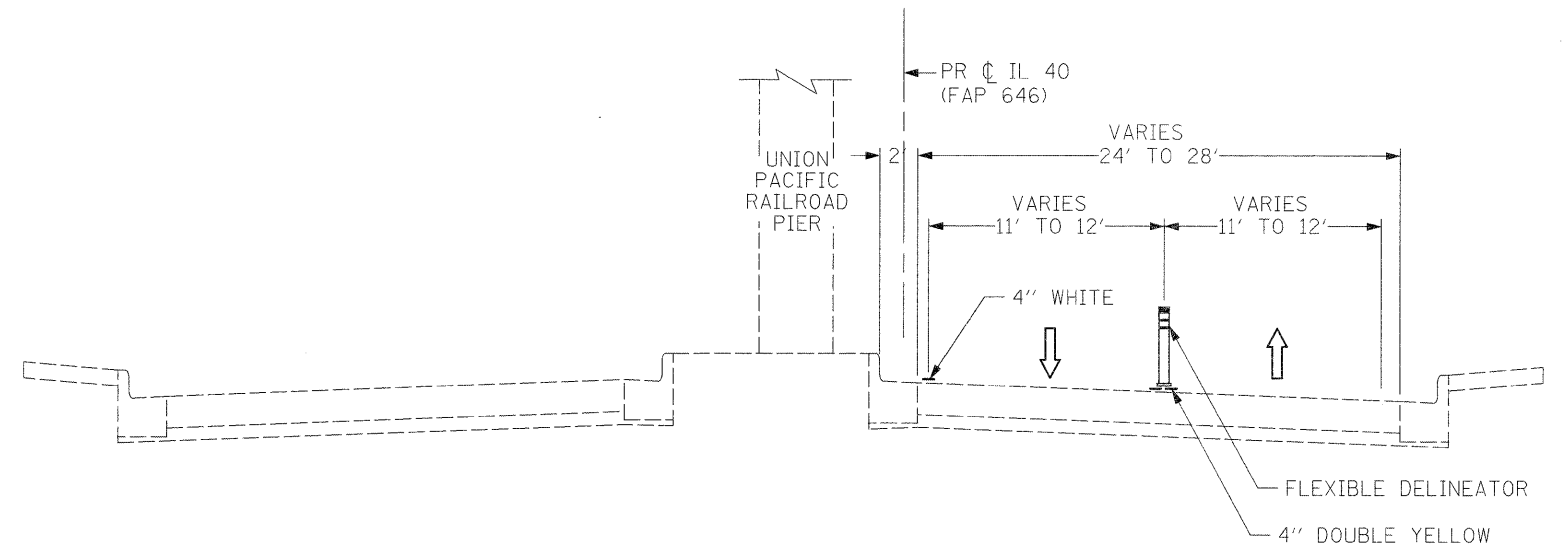
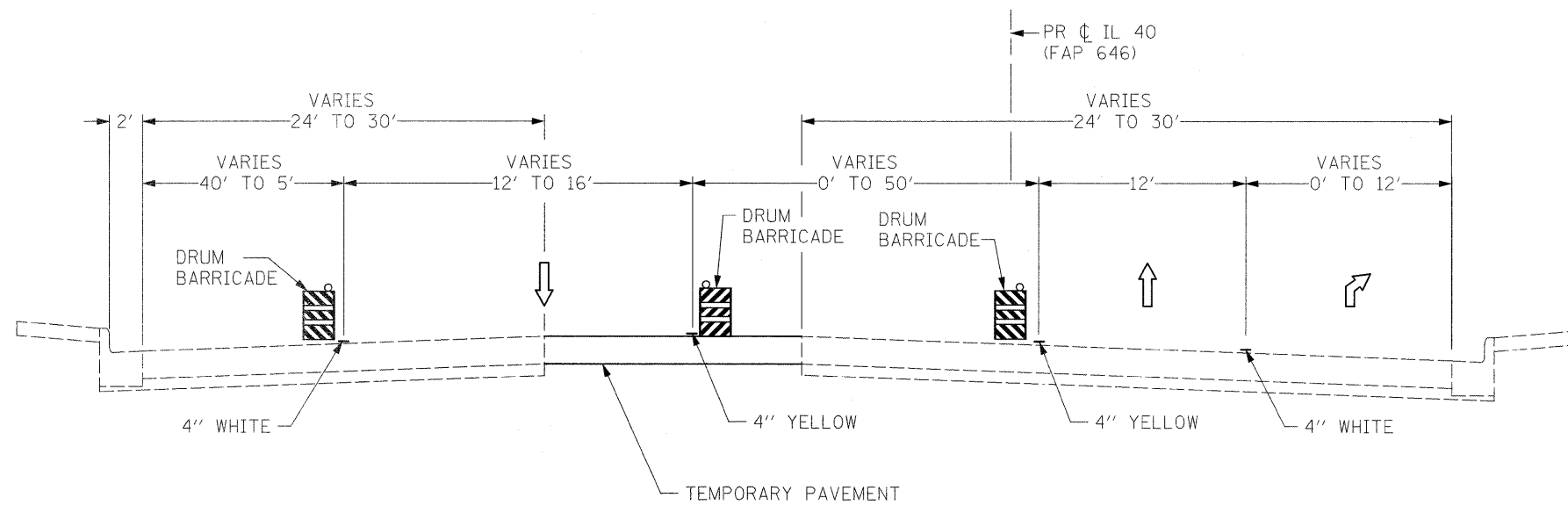


STAGE 2 TYPICAL SECTION (ROAD)
STA 734+96 TO STA 736+33 - LOOKING NORTH



STAGE 2 TYPICAL SECTION (ROAD)
STA 737+00 TO STA 737+87 - LOOKING NORTH



STAGE 2 TYPICAL SECTION (ROAD)
STA 737+87 TO STA 740+00 - LOOKING NORTH

FILE NAME =	USER NAME = grantpm	DESIGNED -	REVISED -	STATE OF ILLINOIS DEPARTMENT OF TRANSPORTATION	IL 40 MAINTENANCE OF TRAFFIC - TYPICAL SECTIONS	F.A.P. RTE. 646	SECTION IB-2	COUNTY WHITESIDE	TOTAL SHEETS 257	SHEET NO. 33	
ct:\piv_work\pivdot\grantpm\dms80258\0264880-shit-staging6.dgn	PLOT SCALE = N/A	DRAWN - DMW	REVISED -			SCALE: N/A	SHEET NO. 6 OF 35 SHEETS	STA.	TO STA.	FED. ROAD DIST. NO.	ILLINOIS FED. AID PROJECT
	PLOT DATE = Wed Aug 31 08:44:34 2011	CHECKED -	REVISED -								
		DATE - 2-22-2010	REVISED -								CONTRACT NO. 64880