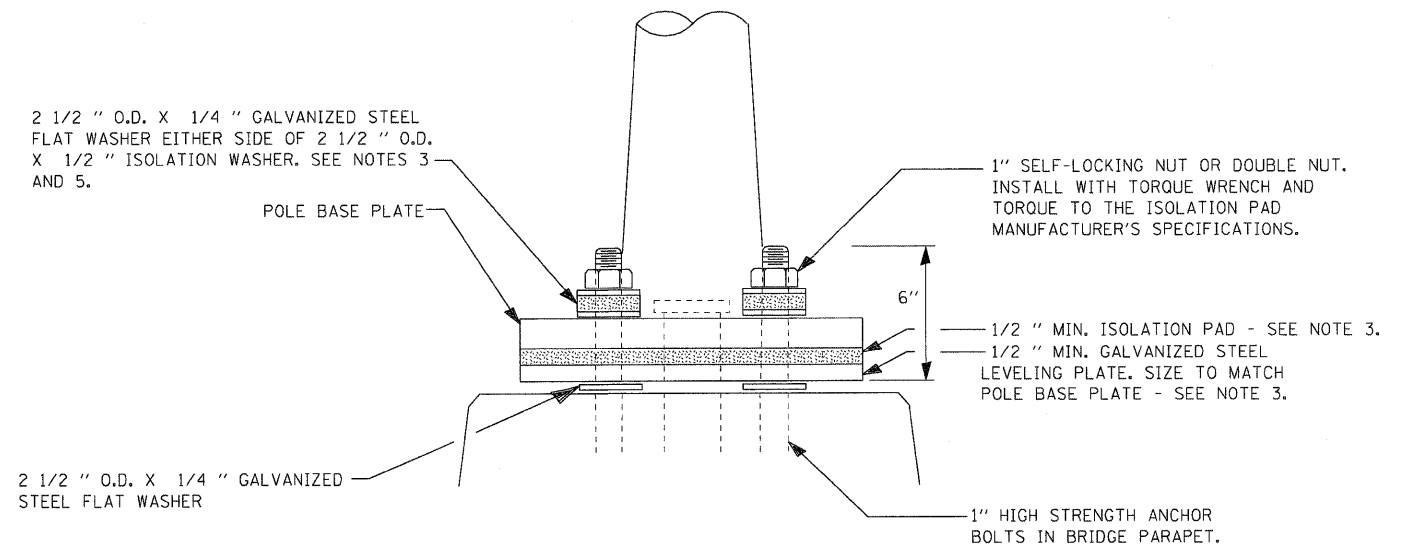


WIRING DETAIL

WIRING DETAIL NOTES:

1. ALL CABLE SPLICES SHALL BE TAPED UNLESS ANOTHER METHOD HAS BEEN SPECIFICALLY APPROVED BY THE ENGINEER.



POLE MOUNTED ON BRIDGE PARAPET DETAIL

GENERAL NOTES:

1. NOT USED.
2. THE VIBRATION ISOLATION PAD AND LEVELING PLATE SHALL MATCH THE FOOTPRINT OF THE POLE BASE PLATE.
3. THICKNESS OF ISOLATION PAD AND WASHERS SHALL BE ACCORDING TO THE ISOLATION PAD MANUFACTURER'S RECOMMENDATIONS BASED UPON POLE HEIGHT AND LOADING.
4. SHOULD THE LENGTH OF THE EXPOSED ANCHOR BOLTS BE TOO SHORT ON AN EXISTING BRIDGE TO MOUNT THE POLES AS SHOWN, THEN THE LEVELING PLATE SHALL BE MOUNTED DIRECTLY ON THE CONCRETE AND LEVELED WITH STAINLESS STEEL WASHERS. REMOVE CONCRETE AS DIRECTED BY THE ENGINEER TO FULLY THREAD THE TOP NUT.
5. THE DIAMETER OF THE FLAT WASHER ON EITHER SIDE OF THE ISOLATION WASHER SHALL BE AT LEAST THE SAME AS THE DIAMETER OF THE ISOLATION WASHER.

USER NAME = dwoznarski	DESIGNED - AM	REVISED -
	DRAWN - YJ	REVISED -
PLOT SCALE = 0.25" / 1"	CHECKED - GR	REVISED -
PLOT DATE = 7/14/2011	DATE - 04-18-2011	REVISED -

F.A.P. RTE.	SECTION	COUNTY	TOTAL SHEETS	SHEET NO.
646	1B-2	WHITESIDE	257	100
CONTRACT NO. 64B80				
FED. ROAD DIST. NO. 2 ILLINOIS FED. AID PROJECT				