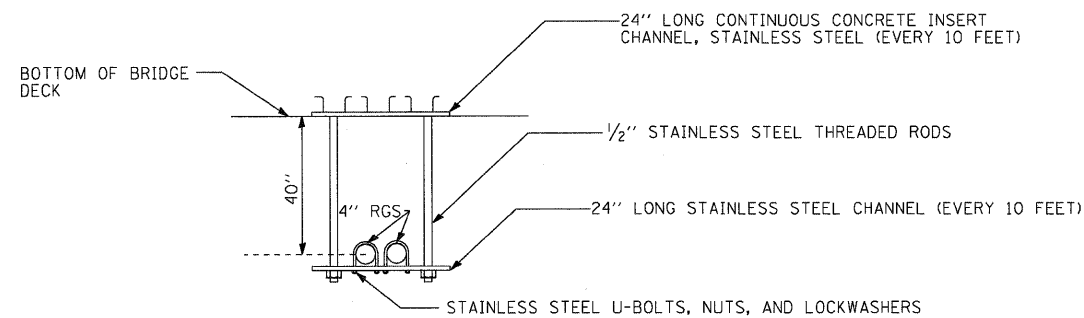


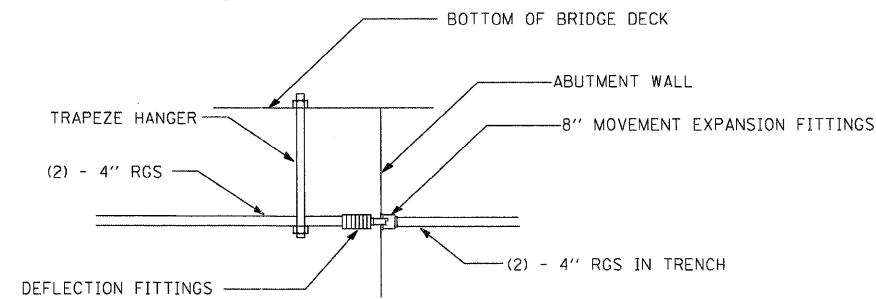
CONDUIT EXPANSION/  
DEFLECTION COUPLING DETAIL  
N.T.S.

NOTES:

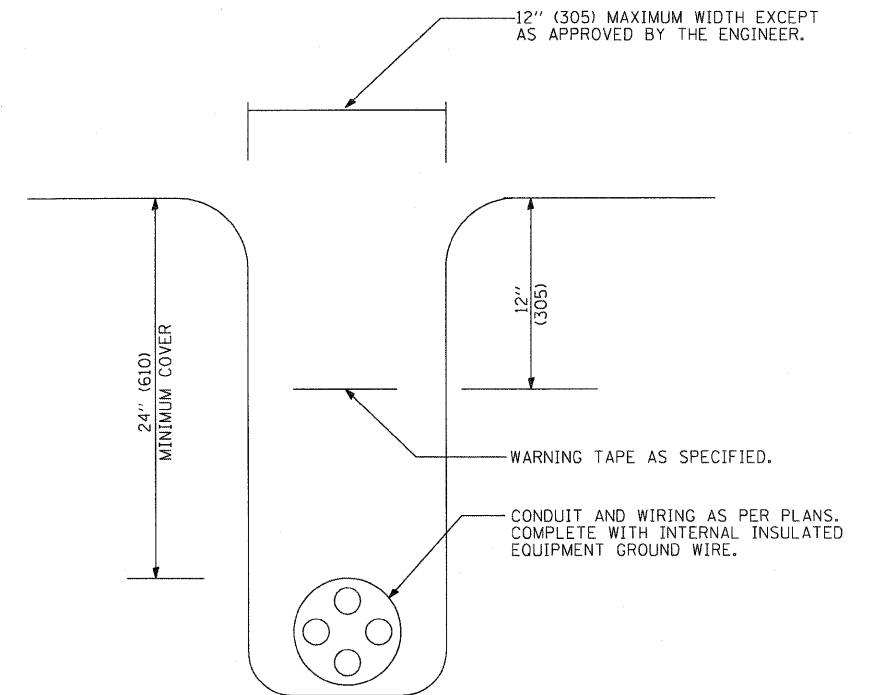
1. THE CONTRACTOR SHALL INSTALL A CONDUIT EXPANSION/DEFLECTION COUPLING AT THE JOINTS IN THE CONCRETE PARAPET ON THE BRIDGE CAPABLE OF ACCEPTING THE LONGITUDINAL MOVEMENT. THE METALLIC PARTS OF THE COUPLING SHALL BE MADE OF STAINLESS STEEL OR AS APPROVAL BY THE ENGINEER. THE COST OF THE COUPLING SHALL BE A PART OF AND INCIDENTAL TO THE CONDUIT SYSTEM.
2. THE BARREL IN THE EXPANSION FITTING SHALL BE FULLY EMBEDDED IN THE CONCRETE ON ONE SIDE OF THE EXPANSION JOINT. EXPANSION FITTING SHALL ACCOMMODATE 8" CONDUIT MOVEMENT AT STEEL PARAPET EXPANSION JOINTS.
3. ONE HALF OF THE LENGTH OF THE DEFLECTION FITTING SHALL BE EMBEDDED IN THE CONCRETE ON THE OTHER SIDE OF THE EXPANSION JOINT. A CAVITY OPENING 3" LARGER THAN THE DIAMETER OF THE DEFLECTION SLEEVE LENGTH SHALL BE PROVIDED TO ENSURE PROPER PERFORMANCE OF THE COUPLING.
4. CAREFUL ATTENTION TO JOINT MOVEMENT OVER A RANGE OF TEMPERATURES SHALL BE COORDINATED WITH THE SELECTION AND INSTALLATION OF THE COUPLING TO ENSURE THE RANGE OF MOVEMENT OF THE COUPLING IS NOT EXCEEDED AT TEMPERATURE EXTREMES.
5. ALL MANUFACTURER'S INSTALLATION INSTRUCTIONS SHALL BE CAREFULLY FOLLOWED TO ENSURE OPTIMUM PERFORMANCE OF THE EXPANSION/DEFLECTION COUPLING.
6. THE CONTRACTOR SHALL INSTALL COUPLINGS AT ALL BRIDGE EXPANSION JOINTS AND SHALL BE RESPONSIBLE TO DETERMINE THE PROPER NUMBER OF COUPLINGS REQUIRED.



CONDUIT ATTACHED TO STRUCTURE  
TRAPEZE HANGER DETAIL  
N.T.S.



CONDUIT ATTACHED TO STRUCTURE  
ABUTMENT TRANSITION DETAIL  
N.T.S.



TYPICAL WIRING IN TRENCH DETAIL  
N.T.S.

<b>SINGH</b> 300 W. ADAMS ST. CHICAGO, IL 60606 SINGH & ASSOCIATES, INC. TEL: (312) 629-0240 CONSULTING ENGINEERS FAX: (312) 629-8449	USER NAME = dwoznarski	DESIGNED - AM	REVISED -	<b>STATE OF ILLINOIS DEPARTMENT OF TRANSPORTATION</b>	<b>DEFLECTION COUPLING, TRENCH, TRAPEZE HANGER, AND ABUTMENT TRANSITION DETAIL IL 40</b>	F.A.P. RTE. 646	SECTION 1B-2	COUNTY WHITESIDE	TOTAL SHEETS 257	SHEET NO. 101
	PLOT SCALE = 0.0400' / IN.	CHECKED - GR	REVISED -			CONTRACT NO. 64B80				
	PLOT DATE = 7/14/2011	DATE - 04-18-2011	REVISED -			FED. ROAD DIST. NO. 2 ILLINOIS FED. AID PROJECT				
SCALE:					SHEET NO. 10 OF 12 SHEETS					