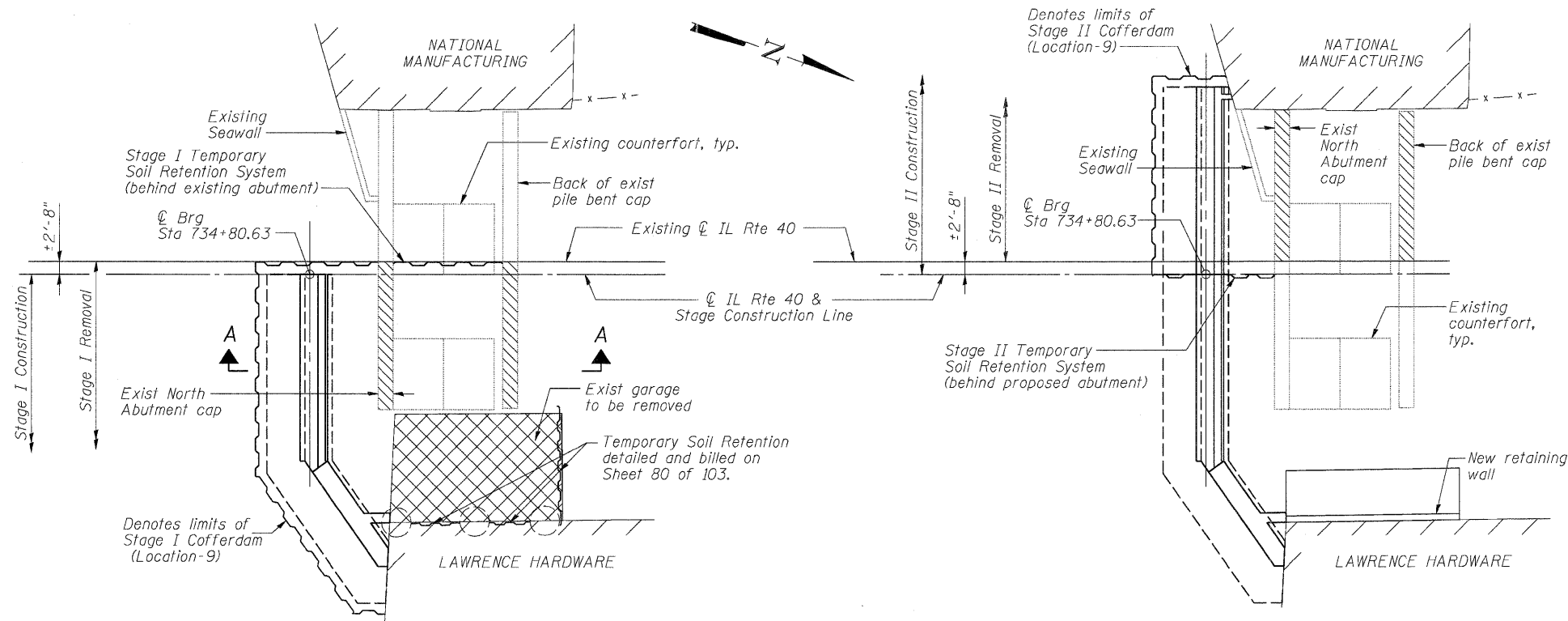
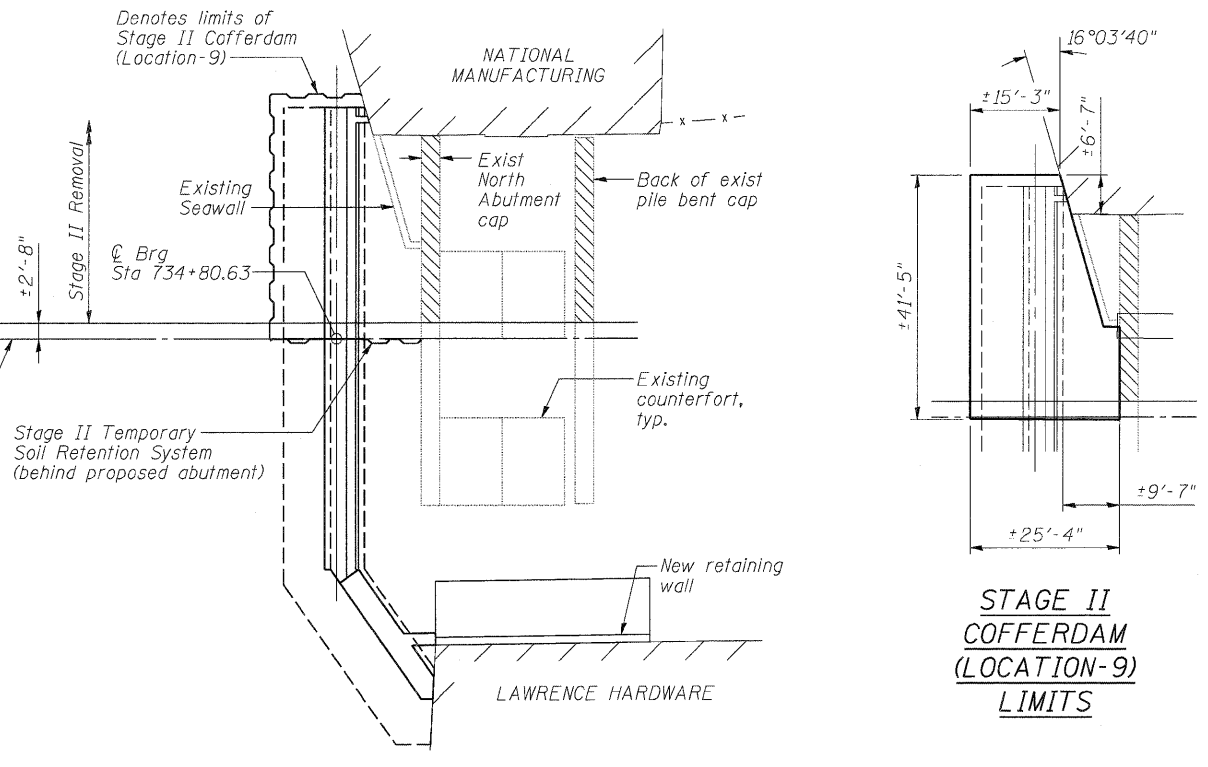


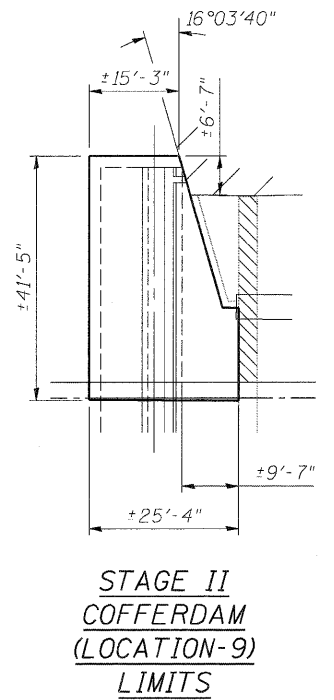
**STAGE I
COFFERDAM (LOCATION-9) LIMITS**



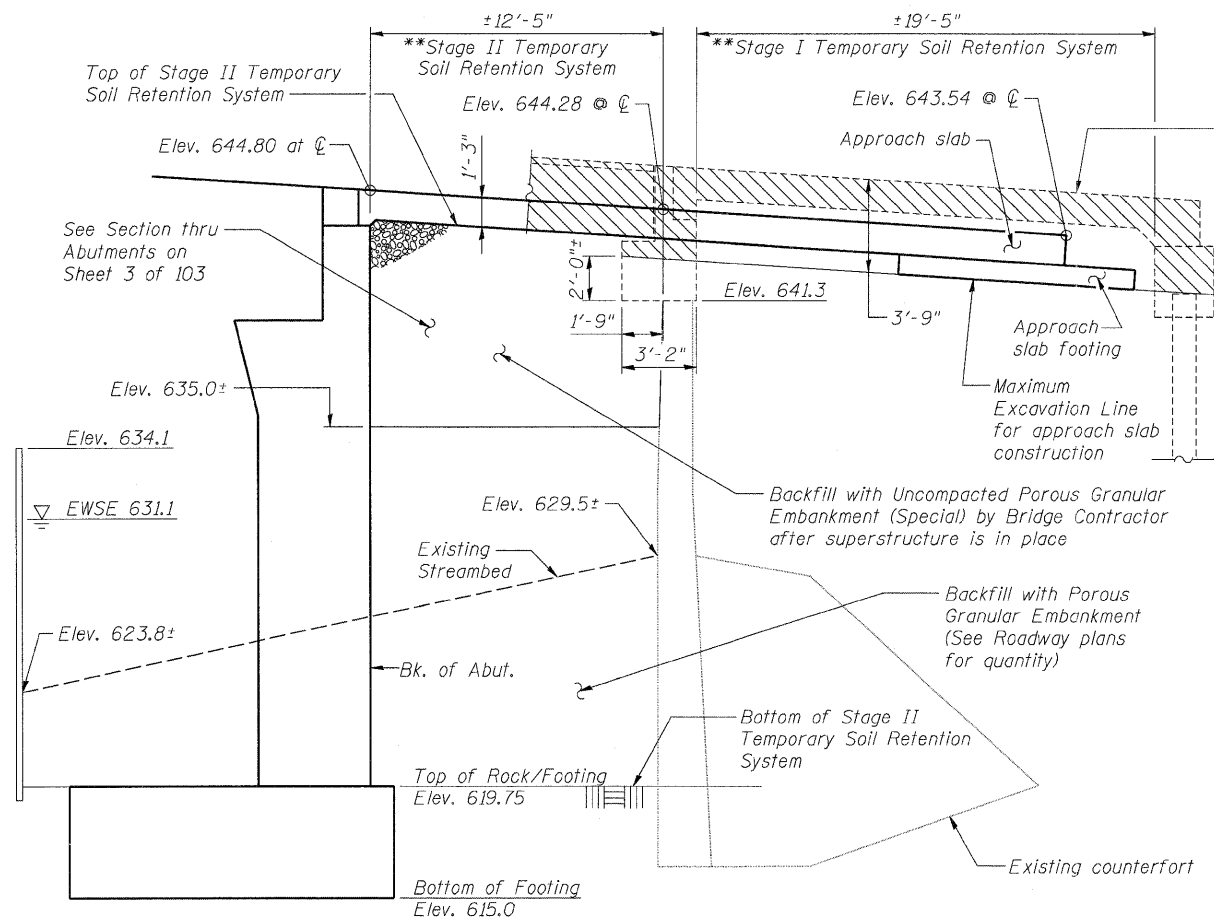
NORTH ABUTMENT STAGE I REMOVAL & CONSTRUCTION
(Superstructure and approach slab not shown for clarity)



NORTH ABUTMENT STAGE II REMOVAL & CONSTRUCTION
(Superstructure and approach slab not shown for clarity)



**STAGE II
COFFERDAM
(LOCATION-9)
LIMITS**



SECTION A-A

* Included in the cost of Pipe Underdrains for Structures.

**A cantilevered sheet piling design does not appear feasible and additional members or other retention systems may be necessary. The Contractor shall submit a temporary soil retention system design including plan details and calculations for review and acceptance by the Engineer.

Notes:
Hatched areas denote minimum existing structure removal limits.

Drainage system components shall extend from the west end of the abutment to the back of the abutment extension on the east end. The perforated pipe drain shall be capped on the west end and shall drain to the PVC pipe cast in abutment extension on the east end.

The information shown for the cofferdam is estimated. The contractor is required to retain an Illinois Licensed Structural Engineer to design the cofferdam, cofferdam bracing, and all associated members. The plans and computations shall be submitted to the Bureau of Bridges and Structures for review and approval before any temporary construction work commences.

The pay limits for cofferdam excavation, structure excavation, temporary soil retention system, and removal of existing structure are estimated and subject to change as approved by the Engineer. Limits are shown to clarify quantity calculation assumptions.

BILL OF MATERIAL

Item	Unit	Quantity
Cofferdam Excavation	Cu. Yd.	652
Temporary Soil Retention System	Sq. Ft.	378
Cofferdam (Location-9)	Each	1

CB Coombe-Bloxdorf P.C.
- CIVIL ENGINEERS -
- STRUCTURAL ENGINEERS -
- LAND SURVEYORS -
Design Firm License No. 184-002703