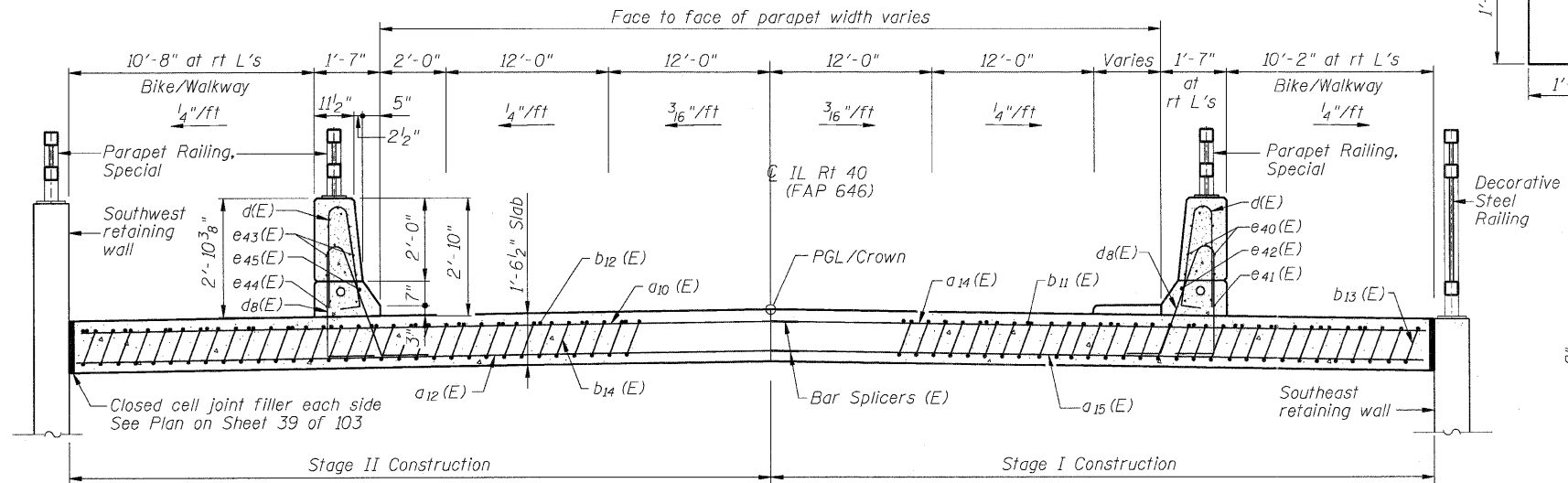


SECTION C-C

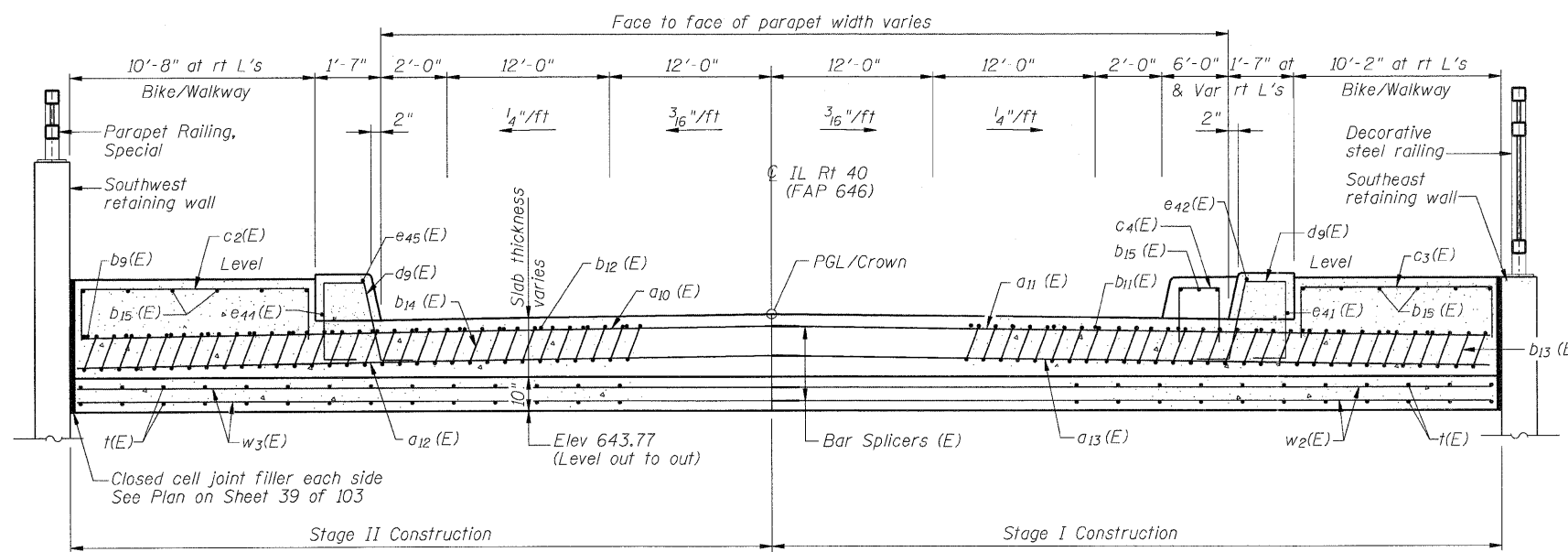
*** Cost included with Concrete Superstructure.

*** 10 mil. Polyethylene bond breaker on steel trowel finish



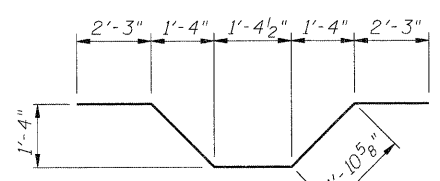
SECTION D-D

(See Plan for dimensions not shown)

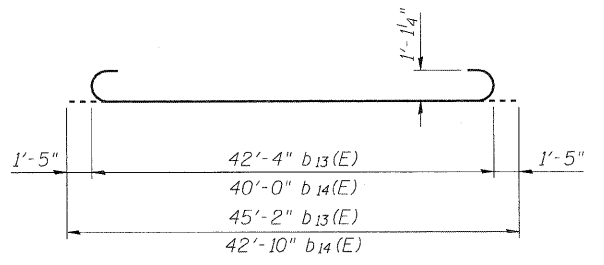


SECTION E-E

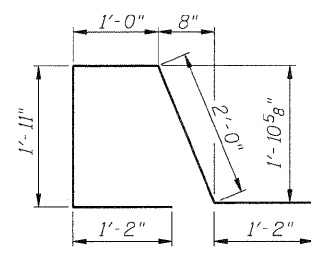
(See Plan for dimensions not shown)



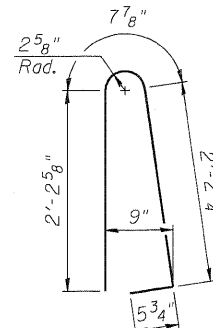
BAR d3(E)



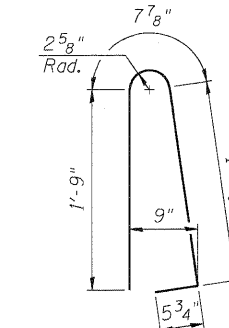
BARS b13(E) & b14(E)



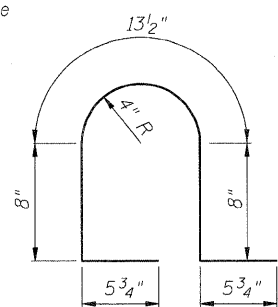
BAR d9(E)



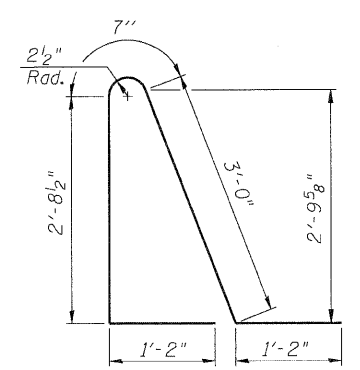
BAR d(E)



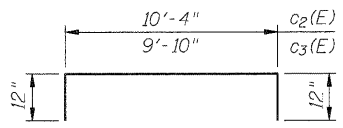
BAR d5(E)



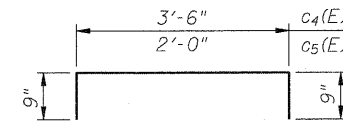
BAR d7(E)



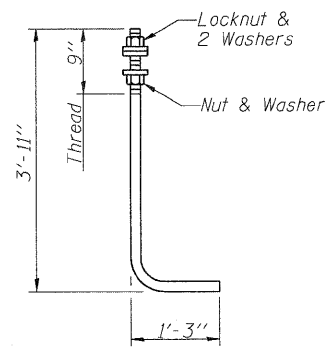
BARS d8(E)



BARS c2(E) & c3(E)



BARS c4(E) & c5(E)



ANCHOR ROD

Diameter as specified for light poles. (ASTM F 1554 Grade 105)

SOUTH APPROACH SLAB BILL OF MATERIAL

Bar	No.	Size	Length	Shape
a10(E)	37	#4	37'-11"	—
a11(E)	32	#4	22'-3"	—
a12(E)	67	#5	37'-11"	—
a13(E)	60	#5	22'-7"	—
a14(E)	42	#4	21'-2"	—
a15(E)	74	#5	21'-6"	—
b11(E)	68	#4	22'-6"	—
b12(E)	62	#4	21'-4"	—
b13(E)	95	#10	45'-2"	—
b14(E)	92	#10	42'-10"	—
b15(E)	18	#4	20'-0"	—
c2(E)	4	#5	12'-4"	—
c3(E)	4	#5	11'-10"	—
c4(E)	10	#5	5'-0"	—
c5(E)	17	#5	3'-6"	—
d1(E)	58	#5	5'-7"	—
d3(E)	6	#6	4'-5"	—
d5(E)	10	#5	4'-8"	—
d7(E)	12	#5	3'-5"	—
d8(E)	6	#5	8'-8"	—
d9(E)	20	#5	7'-3"	—
e7(E)	14	#4	16'-8"	—
e40(E)	14	#4	12'-4"	—
e41(E)	2	#4	23'-7"	—
e42(E)	2	#8	25'-1"	—
e43(E)	14	#4	10'-6"	—
e44(E)	2	#4	21'-8"	—
e45(E)	2	#8	23'-3"	—
f(E)	82	#4	9'-8"	—
w2(E)	40	#6	41'-6"	—
w3(E)	40	#6	37'-11"	—
Concrete Superstructure		Cu. Yd.	217.9	
Concrete Structures		Cu. Yd.	24.7	
Reinforcement Bars, Epoxy Coated		Pound	52320	
Bridge Deck Grooving		Sq. Yd.	238	
Protective Coat		Sq. Yd.	388	

Notes:

See sheet 39 of 103 for Detail A.
 Approach slab and parapet concrete shall be paid for as Concrete Superstructure.
 Approach footing concrete shall be paid for as Concrete Structures.
 Reinforcement shall be paid for as Reinforcement Bars, Epoxy Coated.
 For v4(E) bar details, see sheet 67 of 103.
 The approach footing maximum applied service bearing pressure (Qmax) = 2.0 ksf.
 For bar splicer details, see sheet 82 of 103.
 Cost of excavation for approach footing included with Concrete Structures.
 For Porous Granular Embankment (Special) and drainage treatment details, see sheet 3 of 103.
 For additional parapet and light support details, see sheet 34 of 103.

FILE NAME = D264880-ght-approach2.dgn

USER NAME = dwozniarski	DESIGNED - ACB	REVISED -
PLOT SCALE = 8.0000 "/td> <td>CHECKED - JMB</td> <td>REVISED -</td>	CHECKED - JMB	REVISED -
PLOT DATE = 7/18/2011	DRAWN - RLK	REVISED -
	CHECKED - ACB	REVISED -

**STATE OF ILLINOIS
DEPARTMENT OF TRANSPORTATION**

**SOUTH APPROACH SLAB DETAILS (SHEET 2 OF 4)
STRUCTURE NO. 098-0115**

SHEET NO. 40 OF 103 SHEETS

F.A.P. RTE.	SECTION	COUNTY	TOTAL SHEETS	SHEET NO.
646	IB-2	WHITESIDE	257	143
			CONTRACT NO. 648B0	
ILLINOIS FED. AID PROJECT				