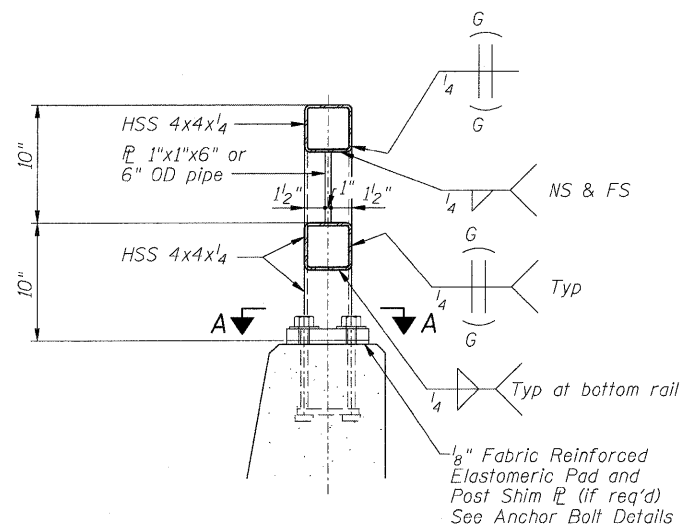
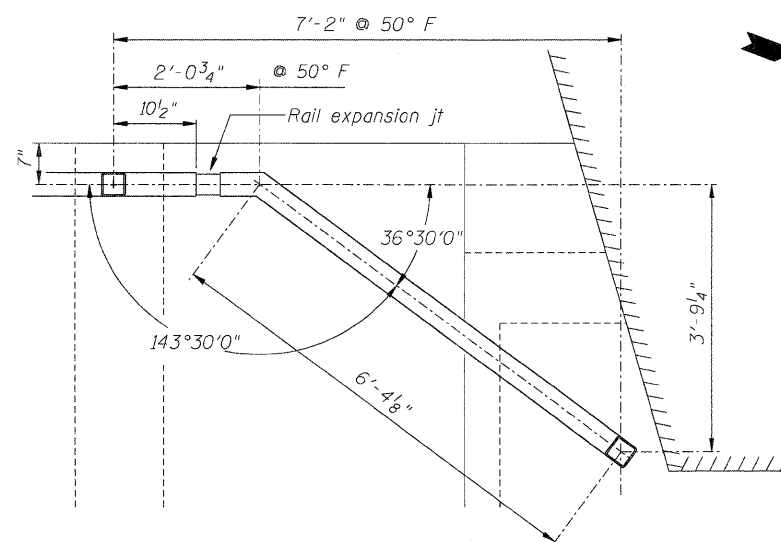


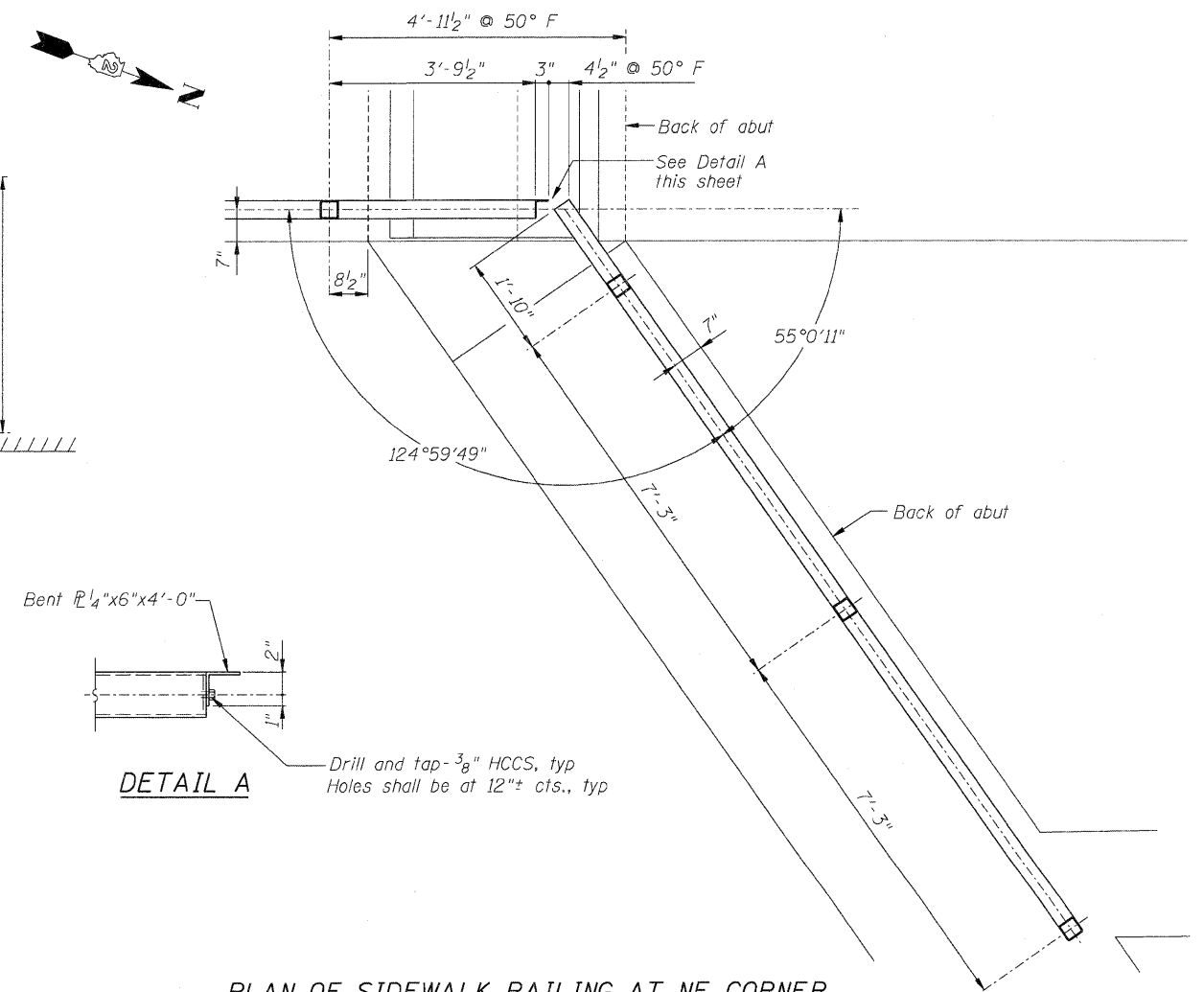
PARTIAL ELEVATION OF PARAPET RAILING



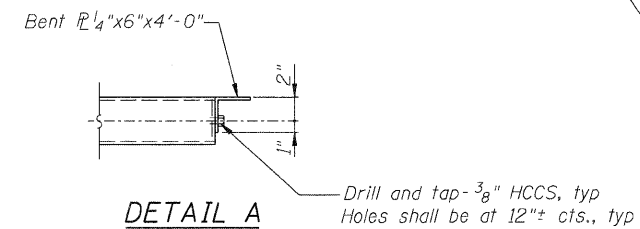
SECTION THRU PARAPET RAILING



PLAN OF SIDEWALK RAILING AT NW CORNER



PLAN OF SIDEWALK RAILING AT NE CORNER



Notes:
 See Sheet 46 of 103 for Section A-A and anchor bolt details
 See Sheets 26-29, 38, and 41-42 of 103 for rail post spacings.

FILE NAME =
 D264980-shr-railing2.dgn

USER NAME = dwoznarski
 PLOT SCALE = 8,6667' / IN.
 PLOT DATE = 7/18/2011

DESIGNED - ACB
 CHECKED - JMB
 DRAWN - RLK
 CHECKED - ACB

REVISED -
 REVISED -
 REVISED -
 REVISED -

STATE OF ILLINOIS
 DEPARTMENT OF TRANSPORTATION

DECORATIVE STEEL RAILING DETAILS (SHEET 2 OF 4)
 STRUCTURE NO. 098-0115

SHEET NO. 44 OF 103 SHEETS

F.A.P. RTE.	SECTION	COUNTY	TOTAL SHEETS	SHEET NO.
646	IB-2	WHITESIDE	257	147
CONTRACT NO. 64B80			ILLINOIS FED. AID PROJECT	