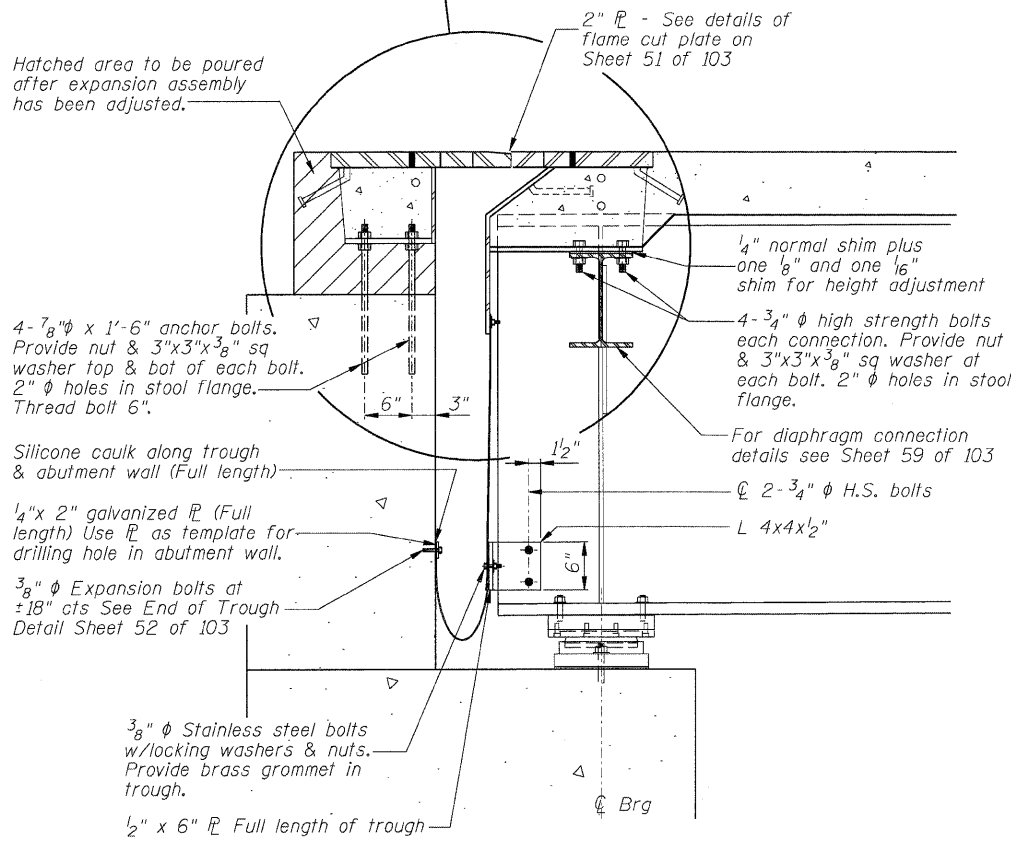
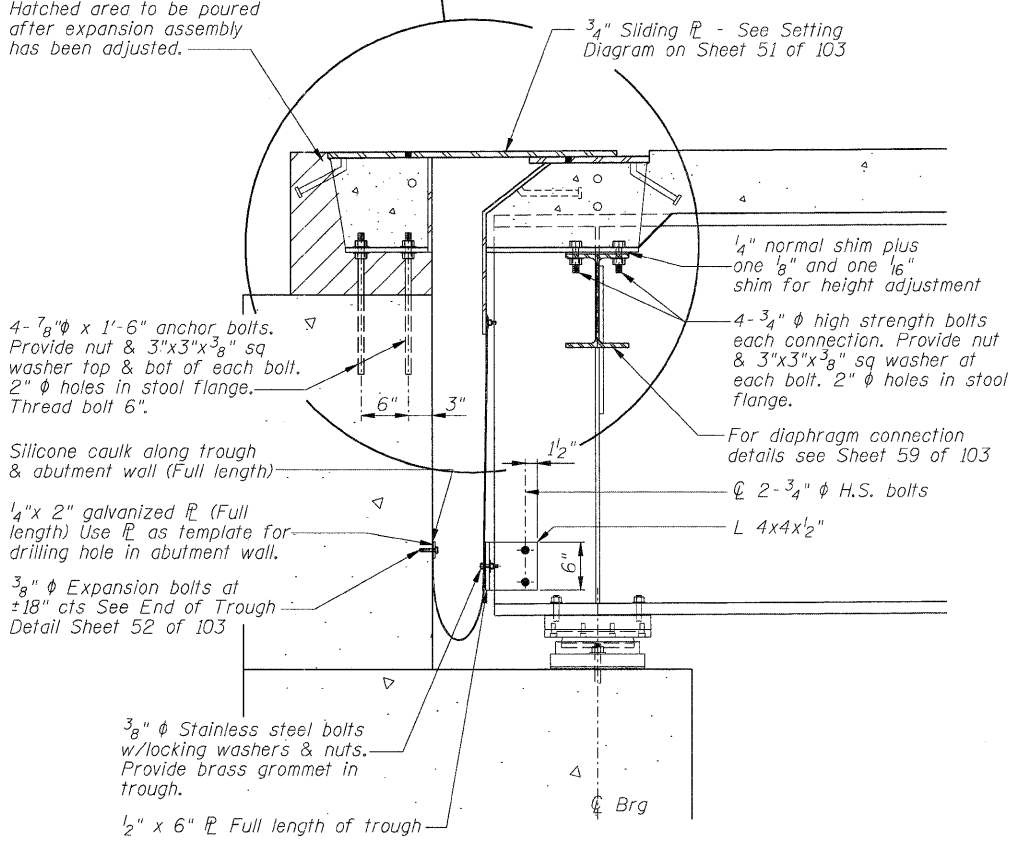


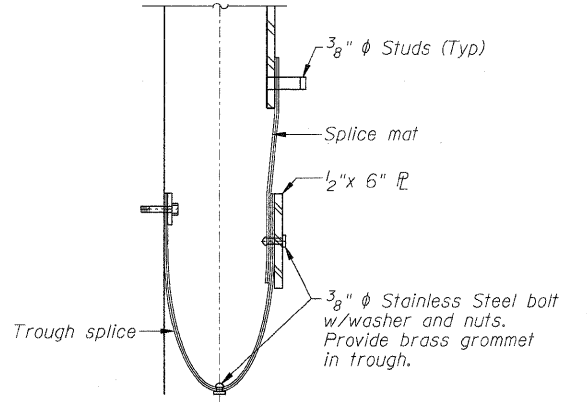
TROUGH SPLICE DETAIL



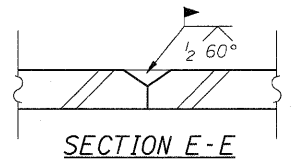
SECTION C-C THRU FINGER PLATE



SECTION D-D THRU SLIDING PLATE



SECTION THRU TROUGH SPLICE



FILE NAME = D264880-shr-finger.pl1.dgn	USER NAME = dwoznarski	DESIGNED - ACB	REVISED -	STATE OF ILLINOIS DEPARTMENT OF TRANSPORTATION	FINGER PLATE EXPANSION JOINT - DETAILS STRUCTURE NO. 098-0115	F.A.P. RTE.	SECTION	COUNTY	TOTAL SHEETS	SHEET NO.
	PLOT SCALE = 1:2000' / 1" IN.	CHECKED - JMB	REVISED -			646	1B-2	WHITESIDE	257	153
	PLOT DATE = 7/18/2011	DRAWN - RLK	REVISED -			CONTRACT NO. 64B80				
	CHECKED - ACB	REVISED -		ILLINOIS FED. AID PROJECT						